

Gizoon FS56

Gizoon Shoe Cabinet with 2 Flip Drawers

Model: FS56

INTRODUCTION

Thank you for choosing the Gizoon Shoe Cabinet with 2 Flip Drawers. This manual provides essential information for the safe assembly, operation, and maintenance of your new shoe cabinet. Please read these instructions carefully before beginning assembly and retain them for future reference.

SAFETY GUIDELINES

- Always secure the cabinet to the wall using the anti-tipping device to prevent tipping. This is crucial for the safety of people and pets, especially in busy households.
- Keep the area around the cabinet clear of obstacles to prevent accidents.
- Do not place heavy objects on the open-top shelf to avoid tipping or damage.
- Always follow the assembly instructions carefully to ensure safe and stable installation.



Figure 1: Anti-Tip Protection. Ensure the anti-tipping device is properly installed to prevent accidents.

PRODUCT OVERVIEW

Key Features

- **Large Capacity:** Each flip drawer features two-tiered compartments designed to accommodate various shoe types, including flats, sneakers, heels, and children's shoes. The open-top shelf provides additional storage for small items, and the bottom space is suitable for slippers.
- **Adjustable Shelf:** The middle divider within each flip-front drawer offers 2 levels of adjustment, allowing customization based on your shoe sizes and storage needs during assembly.
- **Durable Construction:** Constructed from MDF wood and engineered boards, ensuring stability and ease of cleaning.
- **Space-Saving Design:** With slim dimensions, this cabinet is designed to fit efficiently in narrow spaces without compromising storage capacity.

2 Flip Drawer Design

Maximum storage space for your variety of shoes



Boots



High Heels



Leather Shoes



Slippers



Figure 2: Two Flip Drawer Design. The cabinet offers versatile storage for different shoe types.

Product Dimensions

Product Dimension

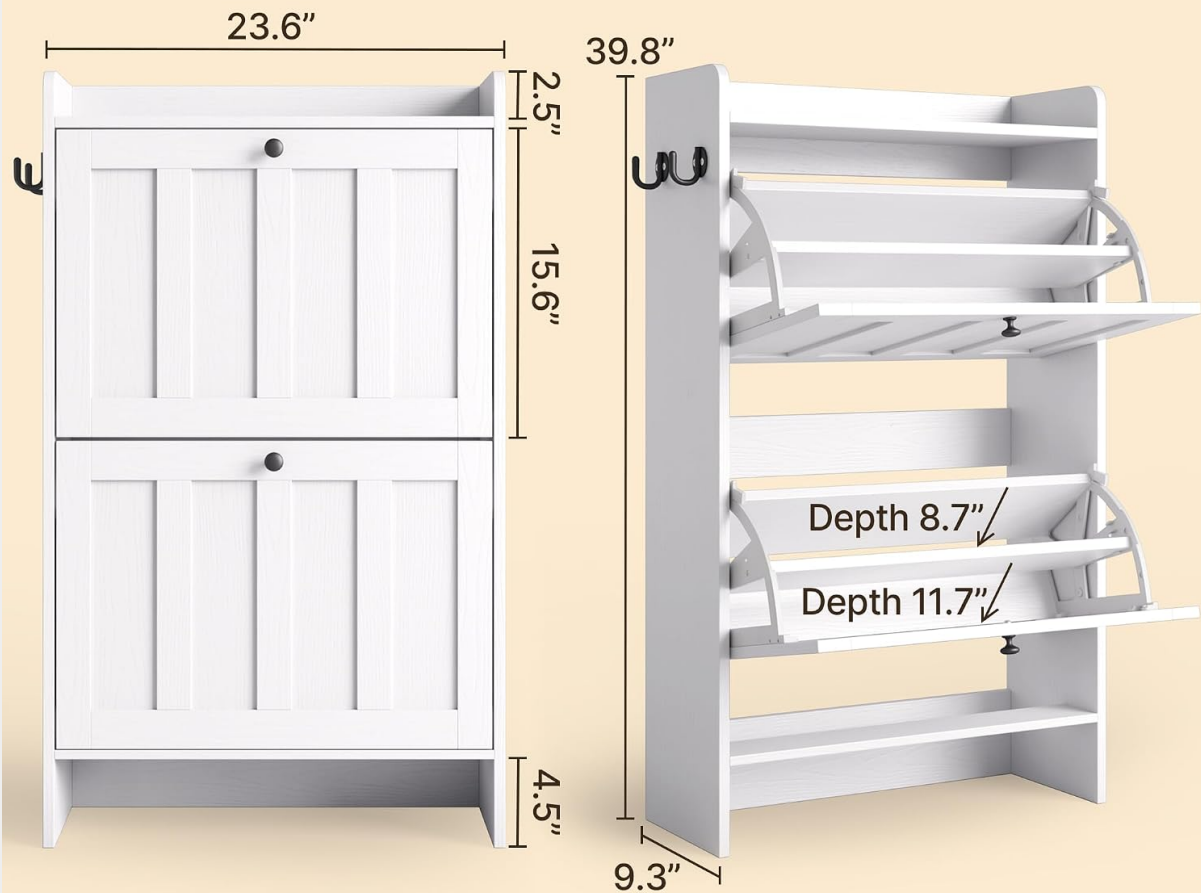


Figure 3: Product Dimensions. The cabinet measures 23.6"W x 9.3"D x 39.8"H.

ASSEMBLY INSTRUCTIONS

The Gizoon Shoe Cabinet requires assembly. Please ensure all parts are present and undamaged before beginning. A detailed instruction manual with numbered parts and clear diagrams is included in the packaging. Follow these instructions step-by-step for proper assembly.

Included Components

- Shoe Cabinet components (MDF wood and engineered boards)
- Hardware (screws, connectors, anti-tipping device)
- Manual Instruction (this document refers to the detailed assembly guide provided in the box)

For optimal stability, it is recommended to assemble the unit on a soft, clean surface to prevent scratches. Two people may be required for certain assembly steps.

OPERATING INSTRUCTIONS

Storing Shoes

To store shoes, gently pull the metal handle on the flip drawer to open it. Arrange shoes within the two-tiered compartments. Close the drawer by pushing it back into the cabinet until it is flush. The open-top shelf can be used for frequently accessed items or decorative pieces. The bottom space below the flip drawers is designed for easy access to slippers or other low-profile footwear.



Figure 4: Shoe Storage in Flip Drawers. Easily access and organize your footwear.

Using Side Hooks and Top Shelf

The integrated side hooks provide a convenient place to hang items such as umbrellas, keys, or bags. The top surface of the cabinet features a fence to prevent items from falling off, making it ideal for displaying small plants, clocks, or other decorative items.



Figure 5: Cabinet Features. Side hooks and a fenced top shelf enhance functionality.

CARE AND MAINTENANCE

To maintain the appearance and longevity of your Gizoon Shoe Cabinet, follow these simple care instructions:

- **Cleaning:** Wipe the surfaces with a soft, damp cloth. Avoid using harsh chemicals or abrasive cleaners, as these can damage the finish.
- **Spills:** Promptly clean up any spills to prevent staining or water damage.
- **Protection:** Avoid placing hot items directly on the surface. Use coasters or protective pads if necessary.
- **Inspection:** Periodically check all hardware and connections to ensure they remain tight and secure.

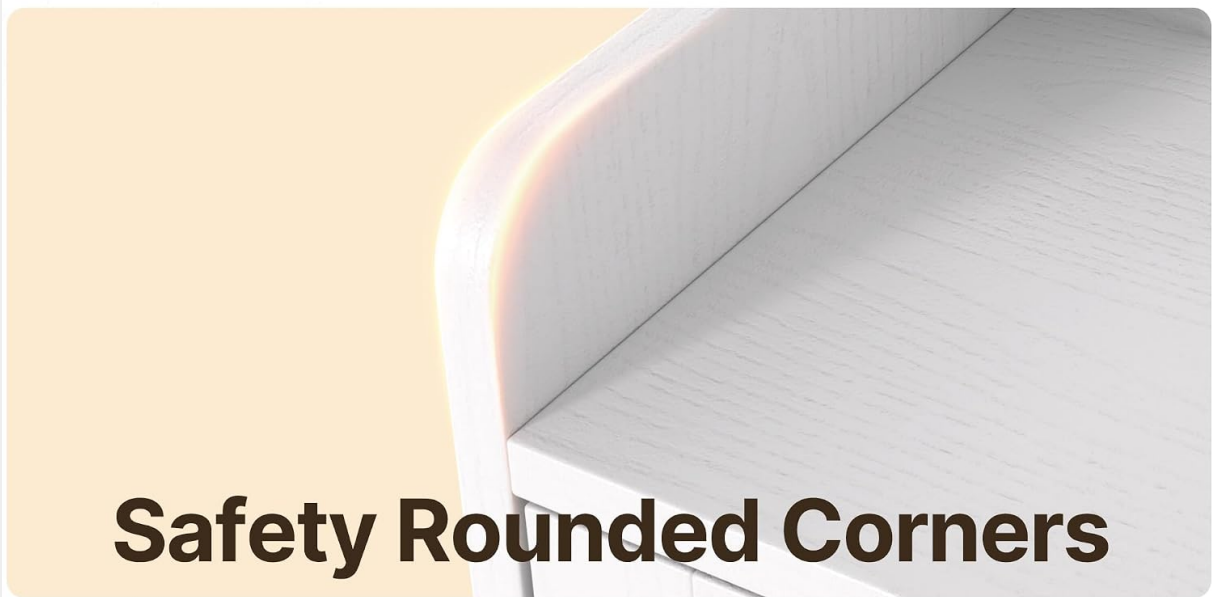
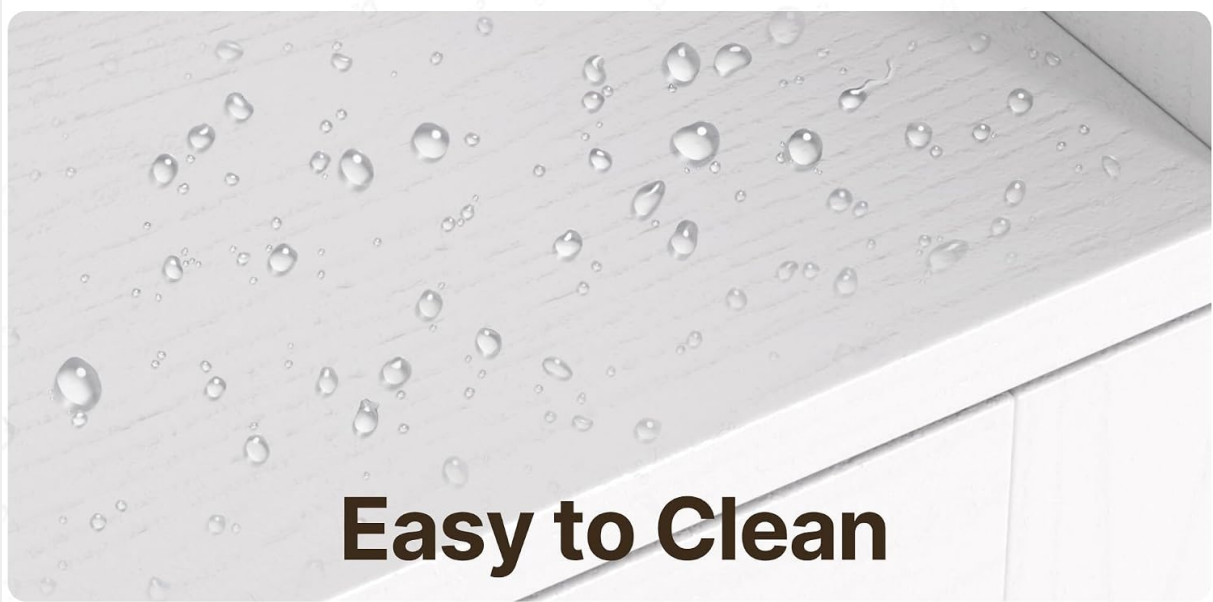


Figure 6: Easy Cleaning and Safety Features. The cabinet is designed for simple maintenance and user safety.

TROUBLESHOOTING

Problem	Possible Cause	Solution
Cabinet feels unstable or wobbly.	Uneven floor; loose connections; anti-tip device not installed.	Ensure the cabinet is on a level surface. Tighten all screws. Install the anti-tipping device securely to a wall stud.
Flip drawers do not open or close smoothly.	Shoes are obstructing the mechanism; assembly error.	Check for any shoes or objects blocking the drawer's movement. Review assembly instructions for correct drawer installation.
Missing parts during assembly.	Packaging error.	Contact customer support with your purchase details and the list of missing parts.

PRODUCT SPECIFICATIONS

Attribute	Detail
Brand	Gizoon
Model Number	FS56
Color	White
Material	MDF Wood
Product Dimensions (D x W x H)	9.3" x 23.6" x 39.8"
Item Weight	35.3 Pounds
Number of Drawers	2 (Flip Drawers)
Mounting Type	Floor Mount
Installation Type	Freestanding
Assembly Required	Yes

WARRANTY AND CUSTOMER SUPPORT

Gizoon is committed to providing quality products. For any questions during use, missing parts, or concerns regarding your shoe cabinet, please contact our customer support. We aim to provide assistance within 24 hours.

Please refer to your purchase documentation for specific warranty details.

PRODUCT VIDEOS

Video: Shoe Cabinet with 2 Flip Drawers. This video demonstrates the features and functionality of the Gizoon Shoe Cabinet, including how the flip drawers operate and its overall design.