

Manuals+

[Q & A](#) | [Deep Search](#) | [Upload](#)

Manuals.plus /

› [Messenya](#) /

› Messenya 9-Drawer Dresser (Model D204-160) User Manual

Messenya D204

Messenya 9-Drawer Dresser User Manual

Model: D204-160 | Brand: Messenya

[Introduction](#) [Safety Information](#) [Parts List](#) [Assembly](#) [Operation](#) [Maintenance](#)
[Troubleshooting](#) [Specifications](#) [Warranty & Support](#)

1. INTRODUCTION

This manual provides instructions for the assembly, operation, and maintenance of your Messenya 9-Drawer Dresser, Model D204-160. This dresser is designed for bedroom use, offering ample storage with nine full-extension drawers and a durable top surface. Please read this manual thoroughly before assembly and use to ensure proper function and safety.



Image: Front view of the Messina 9-Drawer Dresser, Model D204-160, in a brown finish.

2. SAFETY INFORMATION

Important: Read and understand all safety warnings and instructions before assembling or using this product. Failure to follow these instructions may result in injury or damage.

- **Tip-Over Hazard:** Furniture tip-overs can cause serious or fatal crushing injuries. Always secure this dresser to the wall using the provided anti-tip kit. Never allow children to climb on drawers or the dresser.
- **Child Safety:** The dresser features rounded anti-collision corners and recessed handles to minimize injury risks, meeting US safety standards for nurseries. Keep small parts away from children during assembly.
- **Weight Limits:** Do not exceed the recommended weight capacity for drawers or the top surface. Overloading can cause instability or structural damage.
- **Stable Placement:** Place the dresser on a level, stable surface. Uneven surfaces can lead to instability and potential tipping.
- **Assembly:** Assemble the dresser according to the instructions. Ensure all fasteners are securely tightened before use. Periodically check and re-tighten fasteners as needed.

3. PARTS LIST

Before beginning assembly, verify that all components are present and undamaged. If any parts are missing or damaged, contact customer support immediately.

- Dresser Frame Components (pre-drilled and color-coded)
- 9 Drawer Boxes
- Drawer Glides (pre-installed or separate)

- Legs (pre-drilled)
- Assembly Hardware (screws, dowels, etc.)
- Anti-Tip Kit (wall anchor, strap, screws)
- Assembly Instructions Manual



Image: Close-up view of a pre-set slot, indicating ease of installation.

4. ASSEMBLY INSTRUCTIONS

The Messenya 9-Drawer Dresser is designed for quick and tool-free assembly, typically completed within 15 minutes. Follow these steps for a hassle-free setup:

1. **Unpack Components:** Carefully remove all parts from the packaging. Lay them out on a clean, soft surface to prevent scratches.
2. **Identify Parts:** Refer to the included parts list and diagrams. Components are color-coded for easier identification.
3. **Attach Legs:** The legs are pre-drilled. Align them with the corresponding holes on the dresser base and secure them as per the instructions. No screwdrivers are typically needed for this step.
4. **Assemble Frame:** Connect the main frame components. The pre-embedded slots at each hole are designed to make installation sturdy and straightforward.
5. **Install Drawers:** Insert the 9 full-extension drawers into their respective slots. Ensure the three-section silent sliding rails operate smoothly.
6. **Secure to Wall (Crucial):** Attach the anti-tip kit to the back of the dresser and to a wall stud using the provided hardware. This step is essential for safety, especially in homes with children.

For visual guidance, an installation video may be available. Refer to the product page or manufacturer's website for access.



Image: Detail of the metal drawer rails, highlighting durability and smooth operation.

5. OPERATION AND USE

Your Messenya 9-Drawer Dresser is designed for versatile storage and display. Here's how to best utilize its features:

- **Drawer Use:** The nine full-extension drawers (13.4 inches deep, 18 inches wide) provide ample space for clothing, linens, or other items. The silent sliding rails ensure smooth and quiet operation. Avoid slamming drawers to maintain their longevity.
- **Top Surface:** The reinforced top surface can function as a display area for decorative items, lamps, or even as a TV stand for screens up to 60 inches. Ensure weight limits are observed to prevent damage.
- **Storage Capacity:** Each drawer is designed to hold a significant amount of items, such as king-sized bedding or over 60 folded clothes, making it an efficient storage solution for various rooms.



Image: The dresser with several drawers open, illustrating its large capacity and partitioned storage capabilities.

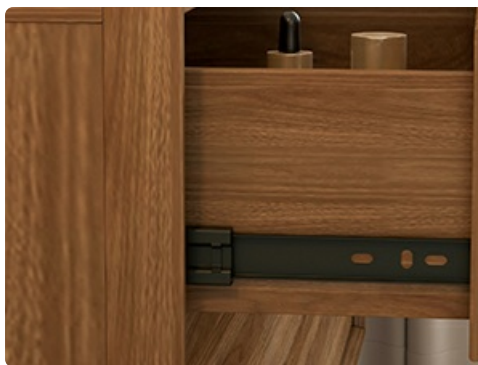


Image: A close-up view of folded shirts neatly stored inside a dresser drawer.

6. CARE AND MAINTENANCE

Proper care will help maintain the appearance and longevity of your Messenya dresser:

- **Cleaning:** Wipe the dresser surfaces with a soft, slightly damp microfiber cloth.
- **Avoid Chemicals:** Do not use harsh chemicals, abrasive cleaners, or furniture polish containing silicone, as these can damage the finish.
- **Spills:** Immediately wipe up any spills to prevent staining or water damage.
- **Sunlight:** Avoid prolonged exposure to direct sunlight, which can cause fading or discoloration of the wood finish.
- **Humidity:** Maintain a consistent humidity level in the room to prevent wood from expanding or contracting excessively, which can lead to cracks or warping.
- **Hardware Check:** Periodically check all screws and fasteners to ensure they remain tight. Re-tighten as necessary.

7. TROUBLESHOOTING

If you encounter any issues with your dresser, refer to the following common solutions:

Problem	Possible Cause	Solution
Drawers do not slide smoothly.	Misaligned glides, debris in tracks, loose screws.	Ensure glides are properly aligned. Clean tracks of any obstructions. Tighten screws on drawer glides and drawer boxes.
Dresser feels unstable or wobbly.	Uneven floor, loose leg attachments, anti-tip kit not installed.	Ensure the dresser is on a level surface. Check and tighten all leg screws. Verify the anti-tip kit is securely installed to a wall stud.
Drawer does not close completely.	Overloaded drawer, obstruction, misaligned glides.	Reduce drawer contents. Check for items blocking the drawer. Re-align drawer glides.

If the problem persists, please contact Messenya customer support for further assistance.

8. PRODUCT SPECIFICATIONS

Feature	Detail
Brand	Messenya
Model Name	D204

Feature	Detail
Product Dimensions (Overall)	15.7"D x 63"W x 30.7"H
Drawer Depth	13.4 inches (internal)
Item Weight	200 Pounds
Color	Brown
Furniture Finish	Oak (Natural Texture)
Room Type	Bedroom, Children Room, Dressing Room, Kids Room, Living Room
Assembly Required	Yes (Tool-Free)
Number of Drawers	9
Special Features	Curved Anti-Collision Edges, Recessed Handles, Silent Soft-Close Full-Extension Drawers, Pre-Embedded Slots for Assembly, TV Stand Capability



Rounded corners prevent bumps.

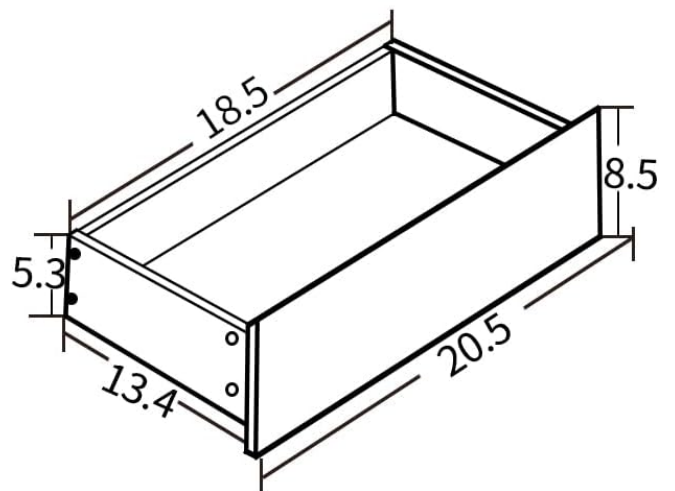


Image: Diagram showing the overall dimensions of the Messenya 9-Drawer Dresser (15.7"D x 63"W x 30.7"H) and internal drawer dimensions.

9. WARRANTY AND CUSTOMER SUPPORT

Messenya is committed to your satisfaction. This product comes with a **Lifetime Warranty**, ensuring quality and durability.

- **Warranty Coverage:** The lifetime warranty covers manufacturing defects and significant material flaws under normal use.
- **Resolution Process:** For any concerns or issues, Messenya offers a straightforward 30-day resolution process.
- **Contact Support:** If you require assistance, have questions, or need to report a problem, please contact our dedicated support team. We provide ongoing support to address any concerns related to your product's performance throughout its expected lifespan.
- **Contact Information:** Please refer to your purchase documentation or the Messenya official website for the most

current customer support contact details.

