

## Manuals+

[Q & A](#) | [Deep Search](#) | [Upload](#)

### Manuals.plus /

- › [Amerex](#) /
- › Amerex B456 ABC Dry Chemical Fire Extinguisher Instruction Manual

## Amerex A61B456

# Amerex B456 ABC Dry Chemical Fire Extinguisher Instruction Manual

Model: A61B456

## 1. PRODUCT OVERVIEW

---

The Amerex B456 ABC Dry Chemical Fire Extinguisher is a 10 lb. unit equipped with an aluminum valve and includes a mounting bracket. It is designed for use on Class A, B, and C fires, making it a versatile safety device for various environments.

### Key Features

- Easy-to-use light to medium duty anodized aluminum valve body.
- Easy-to-follow directions on the label with graphics show you how to use the commercial fire extinguisher.
- Fire extinguisher bracket included.
- Spray hose for easy aim and accuracy.





Figure 1: Amerex B456 ABC Dry Chemical Fire Extinguisher. This image displays the main unit of the fire extinguisher, highlighting its red cylinder, aluminum valve, and instruction label.

## 2. SAFETY INFORMATION

---

Always prioritize personal safety. Only attempt to extinguish a fire if you believe it is still in its inception stage and you have a clear path of egress. If the fire is past its inception stage or you are unsure, immediately evacuate the area and call emergency services (911).

### Fire Classes

Fire extinguishers are rated for different classes of fires. The Amerex B456 is an ABC rated extinguisher, suitable for the following:

- **Class A:** Ordinary combustibles like wood, paper, cloth, and plastic.
- **Class B:** Flammable liquids such as gasoline, oil, grease, and alcohol.
- **Class C:** Energized electrical equipment.

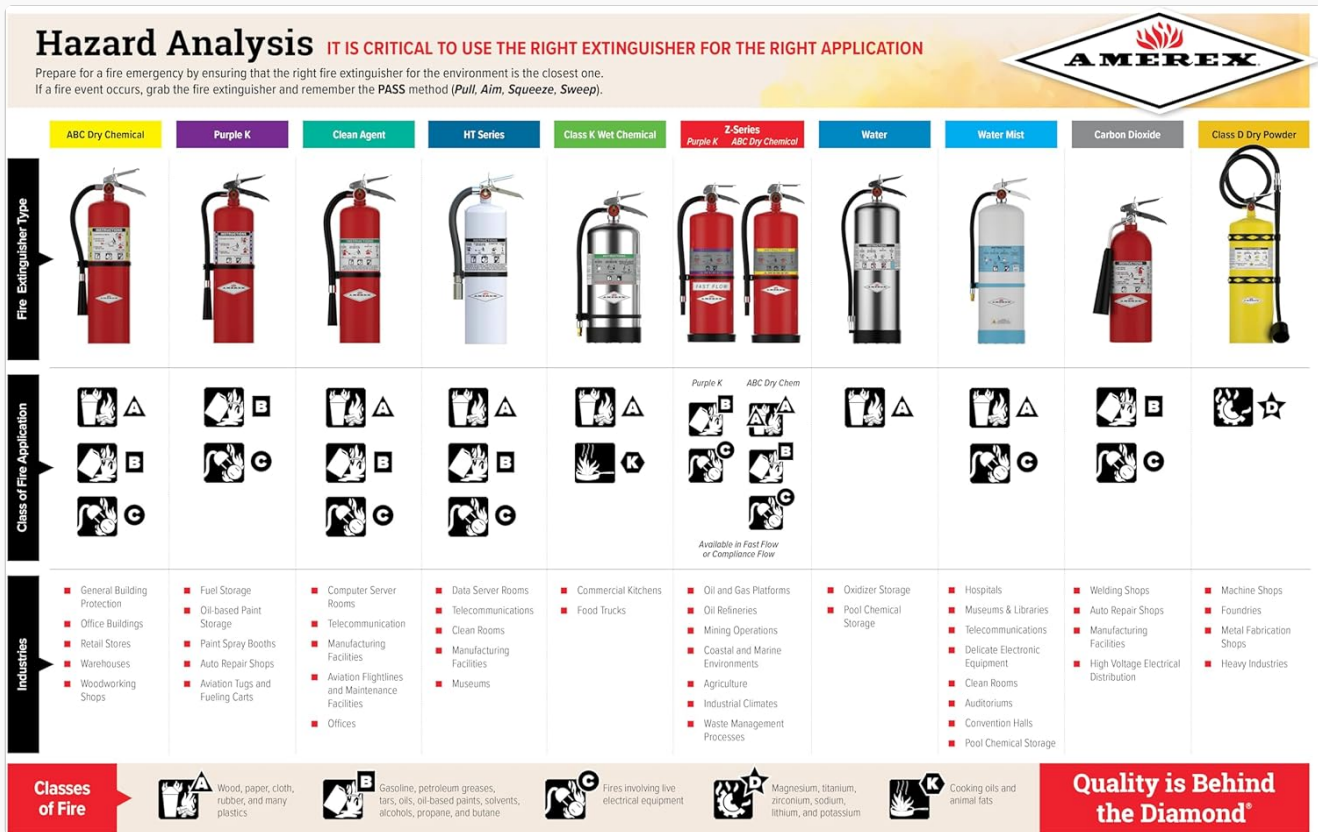


Figure 2: Hazard Analysis Chart. This chart illustrates different types of fire extinguishers and their corresponding fire classes (A, B, C, D, K) and suitable applications.

### 3. SETUP AND INSTALLATION

The Amerex B456 fire extinguisher comes with a bracket for easy mounting. Choose a visible and easily accessible location, away from potential fire hazards and heat sources. Ensure the extinguisher is mounted securely to prevent accidental dislodgement.



Figure 3: Extinguisher Mounted. This image shows an Amerex fire extinguisher securely mounted on a wall, demonstrating a typical installation scenario.



Figure 4: Mounted Extinguisher Close-up. A closer view of a mounted Amerex fire extinguisher, showing the bracket and the extinguisher's label clearly.

## Mounting Brackets

Various types of mounting brackets are available to suit different installation needs. The included bracket is designed for standard wall mounting. Ensure the bracket is installed using appropriate hardware for the wall material.

## BRACKETS

All Amerex brackets meet the latest UL salt spray requirements (240 hrs. @ 20% salt solution—ASTM B117). 1-year manufacturer's warranty applies to all brackets. Please see *Amerex Parts Catalog* for bracket details.

### Wall-Hanger Brackets



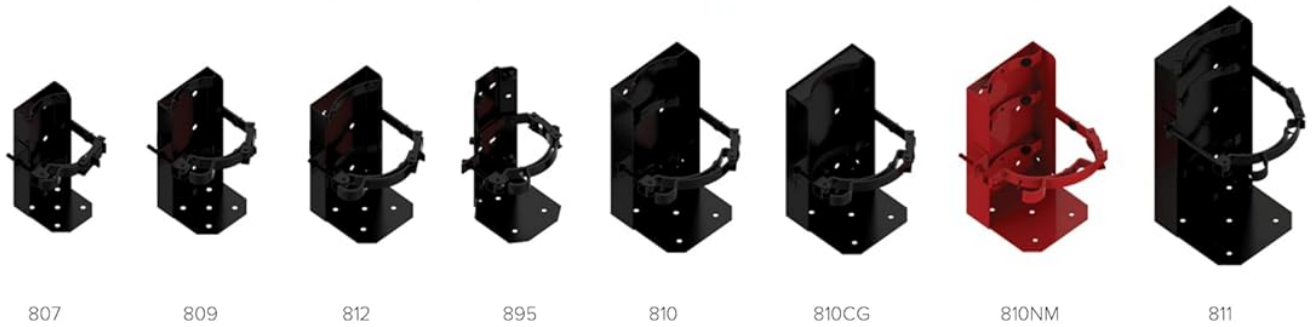
### 6- & 10-lb. Wall-Strap Type



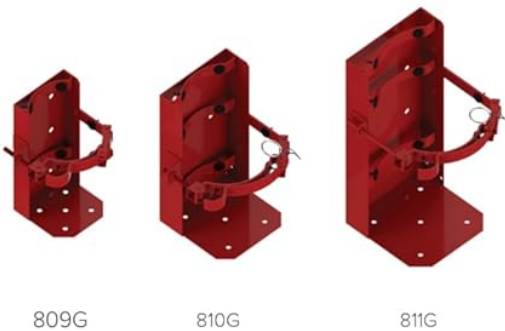
### Vehicle/Marine/Aviation Brackets



### Heavy-Duty Box-Type Vehicle Brackets (Red Brackets are Galvanized)



### Heavy-Duty Rubber-Strap Brackets



### Heavy-Duty Dolly Cart



For a full list of our available brackets, please visit [www.amerex-fire.com](http://www.amerex-fire.com).

Figure 5: Mounting Brackets. This image displays a variety of Amerex mounting brackets for different extinguisher sizes and applications, including wall-hanger, wall-strap, vehicle/marine/aviation, and heavy-duty box-type brackets.

## 4. OPERATION

---

To effectively use the Amerex B456 fire extinguisher, follow the PASS method:

### The PASS Method

1. **P - Pull:** Pull the pin. This breaks the tamper seal.
2. **A - Aim:** Aim the nozzle or hose at the base of the fire.
3. **S - Squeeze:** Squeeze the operating lever to discharge the extinguishing agent.
4. **S - Sweep:** Sweep the nozzle from side to side at the base of the fire until it is extinguished.

Stand back 8-10 feet from the fire when beginning to discharge. Be prepared for discharge recoil by holding the extinguisher and hose firmly. Continue to discharge even if the fire appears out to prevent re-ignition. Once the fire is completely extinguished, evacuate the area safely and call 911 if assistance or medical attention is needed.

*Video 1: How to Use an ABC Fire Extinguisher. This official Amerex training video demonstrates the proper technique for using an ABC fire extinguisher, including the PASS method and safety precautions.*

## 5. MAINTENANCE AND INSPECTION

---

Regular maintenance and inspection are crucial to ensure your fire extinguisher is ready for use in an emergency.

### Monthly Visual Inspection

- Check that the extinguisher is in its designated place and is easily accessible.
- Verify that the pressure gauge needle is in the green operating range.
- Ensure the pin is intact and the tamper seal is not broken.
- Inspect for any signs of physical damage, corrosion, leakage, or clogged nozzle.
- Clean any dirt or debris from the extinguisher.

### Annual Professional Inspection and Recharging

The Amerex B456 fire extinguisher requires an annual professional inspection. This product comes with a 12-month annual inspection tag. After any use, even partial discharge, the extinguisher must be professionally recharged by an authorized Amerex distributor to ensure it is fully operational for future use.

## 6. TROUBLESHOOTING

---

If you encounter issues with your fire extinguisher, consider the following:

- **No Discharge:** Ensure the safety pin has been fully removed and the operating lever is squeezed completely. If the gauge shows no pressure, the unit needs recharging.
- **Fire Re-ignition:** If the fire re-ignites after initial suppression, continue to discharge the extinguisher if it is safe to do so and you have sufficient agent remaining. If not, evacuate and call emergency services.
- **Damaged Unit:** Do not attempt to use a damaged extinguisher. Replace or have it professionally inspected and repaired.

## 7. PRODUCT SPECIFICATIONS

---

<b>Specification</b>	<b>Detail</b>
Manufacturer	Amerex Corporation
Part Number	B456
Item Model Number	A61B456
Item Weight	1 pounds (Note: This is likely shipping weight, actual filled weight is higher)
Product Dimensions	9 x 9 x 20 inches
Size	10 Lbs
Material	Aluminum
Item Package Quantity	1
Special Features	Portable
Usage	Commercial/Residential
Included Components	Amerex® 10 Pound ABC Dry Chemical Fire Extinguisher With Aluminum Valve
National Stock Number	4210-01-467-3616
Date First Available	August 4, 2011



# ABC DRY CHEMICAL

ABC or MULTI-PURPOSE extinguishers utilize a specially fluidized and siliconized mono ammonium phosphate dry chemical. It chemically insulates Class A fires by melting at approximately 350°F and coats surface where it is applied. It smothers and breaks the chain reaction of Class B fires and will not conduct electricity back to the operator.



**B424** P/N 15267      **B461** P/N 15386      **B441** P/N 14966      **423** P/N 01010

## BRASS VALVE

### RUGGED

- 6-Year manufacturer's warranty
- Stored-pressure design
- Dependable drawn-steel cylinders
- Durable high-gloss polyester powder paint
- All-metal valve construction

### BRASS VALVE—Heavy Duty

- Chrome-plated brass valve body
- Stainless steel handle & lever

### ALUMINUM VALVE—Light to Medium Duty

- Anodized aluminum valve body
- Anodized aluminum handle & lever

- Temperature range -65°F to 120°F

### USER-FRIENDLY

- Easy and economical to maintain and service
- QR coded and multilingual labels OPTION
- USCG approved with bracket listed on UL label
- Chrome cylinders (see chart below)



**B417T** P/N 15217      **B500(T)** P/N 15312 (P/N 15310)      **B402(T)** P/N 15280 (P/N 15281)      **B443** P/N 15393      **B456** P/N 14967      **A411** P/N 11213

## ALUMINUM VALVE

MANUFACTURED AND TESTED TO UL STANDARDS  
COMPLIES WITH NFPA 10 STANDARD  
ISO-9001/ISO-14001 CERTIFIED UL LISTED

CONFORMS TO TEST STANDARDS:  
CAN/ULC-S504 - UL 299 &  
CAN/ULC-S508 - UL 711

AVAILABLE IN WHEELED EXTINGUISHERS

## LARGEST SELECTION OF EXTINGUISHER SIZES AND OPTIONS AVAILABLE

AGENT TYPE	ABC DRY CHEMICAL									
	Anodized Aluminum						Chrome-Plated Brass			
VALVE TYPE	Hose & Nozzle						Hose & Nozzle			
DESIGN	Nozzle						Nozzle			
MODEL NUMBER	B417T	B500/B500T	B402/B402T	B443	B456	A411	B424	B461	B441	423
UL & ULC RATING	1A:10B:C	2A:10B:C	3A:40B:C	3A:40B:C	4A:80B:C	10A:120B:C	2A:10B:C	3A:40B:C	4A:80B:C	10A:120B:C
CAPACITY (LBS.)	2.5	5	5	6	10	20	5	6	10	20
*SHIPPING WT. (LBS.)	5.25/5.5	9.25/9.5	9.25/9.5	12.75	18	36.5	10.5	14	19.5	38
HEIGHT (IN.)	15.25	15.25	15.25	16	20	24	15.5	16.25	20.5	24
WIDTH (IN.)	5.5	7.25	7.25	7.75	7.75	10.25	8	8.5	8.75	10.25
DEPTH (IN.)	3	4.25	4.25	5	5	7	4.25	5	5	7
RANGE (INITIAL- FT.)	9-15	12-18	12-18	15-21	15-21	15-21	12-18	15-21	15-21	15-21
DISCHARGE TIME (SEC.)	9	14	14	14.5	22	30	14	14	22	30
OPTIONAL CHROME CYLINDER	Yes	Yes	Yes		Yes			Yes	Yes	
NOMINAL OPERATING PRESSURE	195 PSIG	195 PSIG	195 PSIG	195 PSIG	195 PSIG	195 PSIG	195 PSIG	195 PSIG	195 PSIG	195 PSIG
INCLUDED BRACKET	Vehicle	Wall/Vehicle		Wall			Wall			

\*Shipping weight includes box.

AMEREX-FIRE.COM



13

Figure 6: ABC Dry Chemical Extinguisher Specifications. This image provides a detailed table of specifications for various Amerex ABC Dry Chemical extinguishers, including capacity, UL rating, dimensions, and discharge times.

# EXTINGUISHERS AT-A-GLANCE

AGENT TYPE	SIZE (CAPACITY)	MODEL	CYLINDER DIAMETER (INCH)	INCLUDED BRACKET	USCG BRACKET	OPTIONAL BRACKETS	RUBBER STRAP BRACKETS	859 DOLLY OPTION
<b>WATER</b>	2.5 Gal.	240	7	816 Wall	N/A	810	864	Yes
<b>WET CHEMICAL</b>	6 Liter	C260	7	816 Wall		810	N/A	
	2.5 Gal.	C262	7	816 Wall		810	864	Yes
	6 Liter	C260CG	7	816 Wall	810CG	N/A	N/A	
	2.5 Gal.	C 262CG	7	816 Wall	810CG	N/A	N/A	
<b>WATER MIST</b>	1.75 Gal.	C270	7	816SS Wall	N/A	810, 810NM	N/A	
	2.5 Gal.	C272	7	816SS Wall	N/A	810, 810NM	N/A	
<b>HALOTRON® BrX</b>	1.92 LB.	337TS	3.25	899TS				
	3.55 LB.	339	3.5	893TS				
	3.75 LB.	347TS	3.25	898TS				
	3.75 LB.	349TS	3.25	898TS				
	12.5 LB.	351	5	801 Wall		809		
<b>HALOTRON® I</b>	1.4 LB.	A384T	2.63	845 Vehicle	N/A	845S	N/A	
	2.5 LB.	B385TS	3	817S Vehicle	N/A	817S	860	
	5 LB.	B386T	4.25	818 Vehicle	818, 821, 861H	818S, 821, 821S, 807	860	
	5.5 LB.	B394TS	4.25	818S Aircraft	N/A	818S, 821, 821S, 807	860	
	11 LB.	397	6	802 Wall	812	812	N/A	
	15.5 LB.	398	6	802 Wall	812	812	N/A	
<b>HT SERIES</b>	1.92 LB.	A537TS	3.25	899TS Vehicle				
	3.75 LB.	547	3.25	853 Wall		898TS	860	
	3.75 LB.	549	3.25	853 Wall		898TS	860	
	12.5	551	5	801 Wall		809		
<b>CARBON DIOXIDE</b>	5 LB.	322	5.25	801 Wall	809	809	862	
	5 LB.	322NM	5.25	801SS Wall	N/A	N/A	N/A	
	10 LB.	330	7	802 Wall	810	810	N/A	
	15 LB.	331	7	802 Wall	810	810	864	Yes
	20 LB.	332	8	20# CO2 Wall	811	811	864	Yes
<b>ABC DRY CHEMICAL</b>	2.5 LB.	B417 / B417T	3	817VM Wall / 817	817	817S	860	
	5 LB.	B402 / B402T	4.25	888 Wall / 818	818, 821, 861H	818S, 821, 821S, 807	860	
	5 LB.	B500 / B500T	4.25	888 Wall / 818	818, 821, 861H	818S, 821, 821S, 807	860	
	5 LB.	B424	4.25	888 Wall	821, 861H	821, 821S, 807	860	
	6 LB.	B443	5	801 Wall	808, 809, 895	808, 809, 889HB, 895	862	
	6 LB.	B461	5	801 Wall	808, 809, 895	808, 809, 846, 889, 895	862	
	10 LB.	B456	5	801 Wall	809, 895	808, 809, 846, 889, 889HB, 895	862	
	10 LB.	B441	5	816 Wall	809, 895	808, 809, 889HB, 895, 846	862	
	20 LB.	A411	7	803 Wall	810	810	864	Yes
	20 LB.	423	7	803 Wall	810	810	864	Yes
<b>PURPLE K DRY CHEMICAL</b>	1 LB.	376T	2.63	846				
	2.5 LB.	377	3					
	2.5 LB.	B410T	3	817	817	817S	860	
	5 LB.	B479 / B479T	4.25	888 Wall / 818 VM	818, 821, 861H	807, 818S, 821, 821S, 861H	860	
	10 LB.	B460	5	816 Wall	809, 895	808, 809, 846, 889HB, 895	862	
	20 LB.	A413	7	803 Wall	810	810	864	Yes
	20 LB.	415	7	803 Wall	810	810	864	Yes
<b>CLASS D DRY POWDER</b>	30 LB.	B570	8	803 Wall	N/A	811	864	Yes
	30 LB.	C571	7	877 Wall	810	810	864	Yes
<b>Z-SERIES HIGH PERFORMANCE</b>	10 LB. (4.5 KG)	711, 712	5	877 Wall	809, 809G	809, 809G	N/A	
	13.2 LB. (6 KG)	713, 716, 790, 793	7	877 Wall	810 & 810G	810 & 810G	N/A	
	20 LB. (9 KG)	714, 717, 791, 794, 795	7	877 Wall	810 & 810G	810 & 810G	864	Yes
	30 LB. (13.6 KG)	715, 718, 792, 796	8	876 Wall	811 & 811G	811 & 811G	864	Yes
<b>HIGH-FLOW DRY CHEMICAL</b>	10 LB.	720, 722	5	816 Wall	809, 895	808, 809, 889HB, 895, 846	862	
	20 LB.	760, 762	7	803 Wall	810	810	864	Yes



Figure 7: Extinguishers at a Glance. A comprehensive table listing various Amerex extinguisher types, sizes, models, and included or optional brackets.

## 8. WARRANTY AND SUPPORT

### Warranty Information

The Amerex B456 ABC Dry Chemical Fire Extinguisher comes with a 6-Year Warranty. Please refer to the official Amerex warranty documentation for full terms and conditions.

### Customer Support

For additional information, technical support, or to locate an authorized service provider, please visit the official Amerex website: [www.amerex-fire.com](http://www.amerex-fire.com).



© 2025 Amerex Corporation. All rights reserved.