

KLARSTEIN DSM_Airjt.Hybri_90BK

Klarstein AirJet Hybrid Induction Hob with Integrated Hood - User Manual

Model: DSM_Airjt.Hybri_90BK | Brand: KLARSTEIN

1. INTRODUCTION

This manual provides detailed instructions for the Klarstein AirJet Hybrid Induction Hob with Integrated Hood. This innovative appliance combines a powerful induction cooktop with an integrated extractor hood, designed for modern kitchens and cooking islands. It offers space-saving benefits, efficient air purification, and a clear view of your cooking area. Please read these instructions carefully before installation and use to ensure safe and optimal operation.

2. SAFETY INFORMATION

Always adhere to the following safety guidelines to prevent injury or damage to the appliance:

- Ensure the appliance is installed by a qualified technician in accordance with local regulations.
- Do not operate the appliance if it is damaged. Contact customer service immediately.
- Keep children away from the appliance during operation and when it is cooling down.
- Never leave cooking unattended, especially when cooking with fats or oils, as they can ignite.
- Do not store flammable materials on or near the appliance.
- Ensure adequate ventilation in the kitchen when using the hob and hood.
- Regularly clean grease filters to maintain optimal performance and prevent fire hazards.
- Disconnect the appliance from the power supply before cleaning or maintenance.

3. PRODUCT OVERVIEW AND FEATURES

The Klarstein AirJet Hybrid system offers advanced cooking and ventilation capabilities:

- **Space-Saving Design:** Integrated induction hob and extractor hood for a clear kitchen aesthetic and maximum ceiling height utilization.
- **Powerful Boost Mode:** Air extraction rate of 750 m³/h for rapid and effective air purification, with A++ energy efficiency.

- **Flexible Cooking:** Total power of 12 kW with 8 power levels and a boost function for individual cooking needs.
- **Bridge Connect Function:** Allows connecting the two left cooking zones to form a single large cooking area, reaching up to 3600 W in boost mode.
- **Silent BLDC Motor:** Operates at a low noise level of 58 dB for maximum comfort.
- **Touch Control Panel:** Easy control of all functions, including 8 power levels and boost.
- **Additional Features:** Pan detection and residual heat indicator for enhanced convenience and safety.
- **Filtration System:** Equipped with an aluminum grease filter and an active carbon filter for effective air extraction and optimal filtering.

Confort de cuisine combiné

Avec son design gain de place, la table de cuisson avec hotte aspirante est intégrée au plan de travail



Image 3.1: The Klarstein AirJet Hybrid Induction Hob with Integrated Hood, showcasing its sleek design and integrated ventilation system within a kitchen countertop. A pot is actively steaming on one of the induction zones.

A++

Classe d'efficacité
énergétique

750 m³/h

Flux d'air

160 W

Puissance du moteur BLDC




KLARSTEIN

Image 3.2: Key performance indicators of the AirJet Hybrid: A++ energy efficiency class, 750 m³/h airflow, and 160 W BLDC motor power.

Puissance d'induction de **12 kW**

Les zones
d'induction
de gauche
peuvent être
connectées en un
plus grand foyer
de cuisson



Image 3.3: Illustration of the 12 kW induction power and the Bridge Connect feature, highlighting how the two left cooking zones can be combined for larger cookware.

4. SETUP AND INSTALLATION

The Klarstein AirJet Hybrid is designed for drop-in installation into a kitchen countertop. Due to its integrated nature and electrical requirements, professional installation by a qualified electrician and kitchen fitter is strongly recommended.

4.1. Pre-Installation Checks

- Verify that the countertop opening dimensions match the appliance's requirements (refer to the dimensions diagram).
- Ensure adequate electrical supply is available (12 kW total power).
- Confirm that the ventilation system (ducting for extraction mode or space for recirculation filters) is properly planned.
- Ensure sufficient clearance underneath the appliance for the integrated hood components.

4.2. Installation Steps (Summary - Consult Professional Installer)

1. Prepare the countertop cutout according to the provided dimensions.

2. Carefully lower the appliance into the cutout.
3. Connect the electrical supply according to wiring diagrams (to be provided in full manual).
4. Install the ventilation ducting or recirculation kit as required.
5. Secure the appliance in place using the provided mounting brackets.
6. Perform initial functional tests.


KLARSTEIN



Gain de place

**Design astucieux
aux dimensions fines pour
plus d'espace sous le plan
de travail de la cuisine**

**10 cm
de place
en plus**

Image 4.1: An illustration of the underside of the AirJet Hybrid, demonstrating its compact design and how it integrates into the kitchen cabinet, providing additional space.



KLARSTEIN

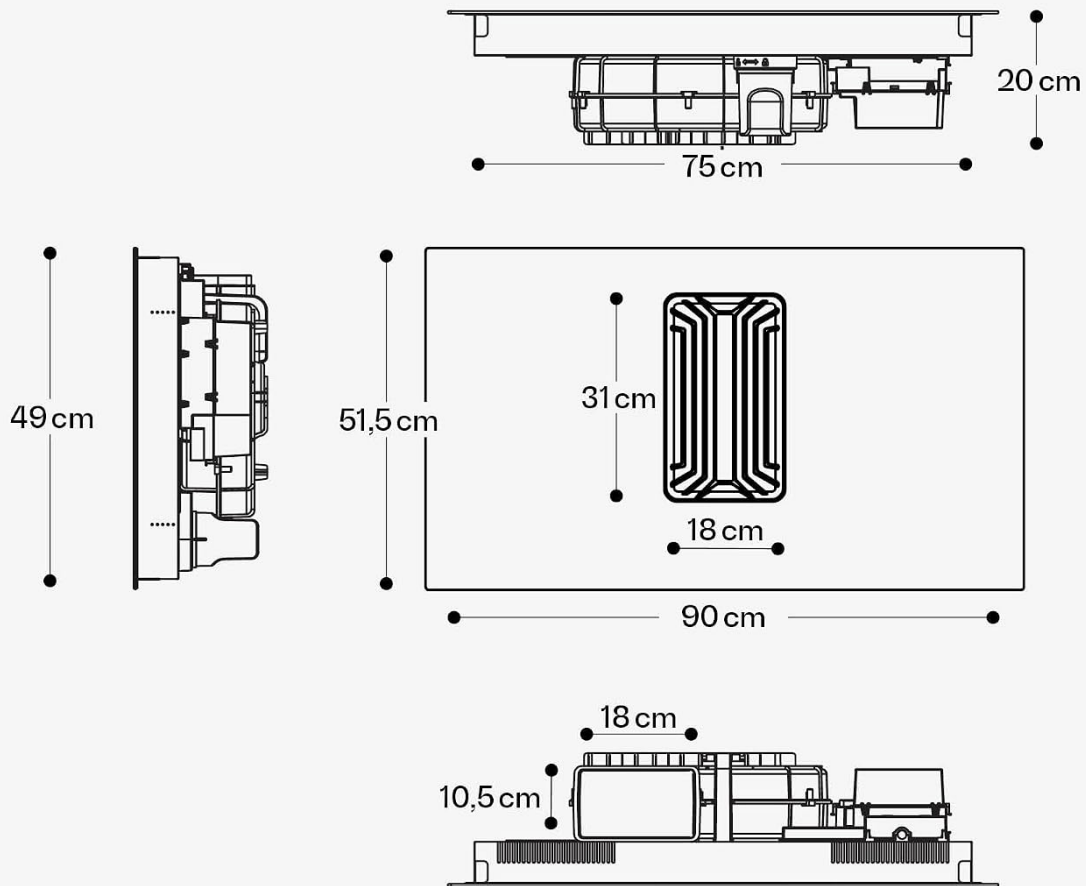


Image 4.2: Technical diagram showing the precise dimensions (length, width, height, and cutout sizes) for installation of the Klarstein AirJet Hybrid.

5. OPERATING INSTRUCTIONS

The Klarstein AirJet Hybrid features intuitive touch controls for both the induction hob and the integrated hood.

5.1. Induction Hob Operation

1. **Power On:** Touch the main power button to activate the hob.
2. **Select Cooking Zone:** Place suitable cookware on a cooking zone. The hob will detect the pan. Select the desired cooking zone on the touch panel.
3. **Adjust Power Level:** Use the '+' and '-' controls or the slider to select one of the 8 power levels.
4. **Boost Function:** For rapid heating, select the boost function for a specific zone. This temporarily increases power to 3600 W.
5. **Bridge Connect:** To combine the two left cooking zones, activate the Bridge Connect function. This creates a larger cooking surface suitable for griddle plates or large pots.
6. **Residual Heat Indicator:** After cooking, an 'H' will appear on the display if the zone is still hot, indicating residual

heat.

7. **Power Off:** Touch the power button for the specific zone or the main power button to turn off the entire hob.

5.2. Integrated Hood Operation

1. **Power On:** Touch the hood power button on the control panel.
2. **Adjust Fan Speed:** Select from multiple fan speeds (up to 8 levels) to adjust extraction power.
3. **Boost Mode:** Activate the boost mode for maximum extraction (750 m³/h) to quickly clear strong odors or steam.
4. **Power Off:** Touch the hood power button to turn off the extractor.



Image 5.1: Detailed view of the touch control panel, illustrating the 8 power levels, boost function, and other intuitive controls for both the hob and the integrated hood. It also highlights the low noise level of 58 dB and the dishwasher-compatible aluminum filter.

6. MAINTENANCE

Regular maintenance ensures the longevity and efficient operation of your Klarstein AirJet Hybrid.

6.1. Cleaning the Induction Hob

- Always ensure the hob is cool and disconnected from power before cleaning.
- Wipe the ceramic glass surface with a soft cloth and a mild detergent.
- For stubborn stains, use a specialized ceramic hob cleaner and a scraper designed for glass hobs.
- Avoid abrasive cleaners or scouring pads that can scratch the surface.

6.2. Cleaning and Replacing Filters

The integrated hood uses an aluminum grease filter and an active carbon filter.

- **Aluminum Grease Filter:** This filter traps grease particles. It should be cleaned regularly (e.g., monthly, depending on usage). It is dishwasher-safe. Remove the filter, wash it, and ensure it is completely dry before re-installing.
- **Active Carbon Filter (for recirculation mode):** This filter removes odors. It cannot be washed and must be replaced periodically (typically every 3-6 months, depending on usage). Refer to the full product manual for specific replacement instructions and compatible filter models.
- Always disconnect power before accessing or replacing filters.

7. TROUBLESHOOTING

Before contacting customer service, try the following troubleshooting steps:

Problem	Possible Cause	Solution
Hob does not turn on.	No power supply; child lock activated.	Check circuit breaker; deactivate child lock (refer to full manual for specific steps).
Cooking zone not heating.	Incorrect cookware; pan not detected.	Use induction-compatible cookware; ensure pan is centered on the zone.
Hood extraction is weak.	Grease filters clogged; carbon filters saturated.	Clean aluminum grease filters; replace active carbon filters.
Unusual noise during operation.	Loose components; foreign object in fan.	Turn off and disconnect power. Inspect for loose parts or obstructions. If problem persists, contact service.

For persistent issues or error codes not listed, please consult the comprehensive user manual or contact Klarstein customer support.

8. SPECIFICATIONS

Key technical specifications for the Klarstein AirJet Hybrid Induction Hob with Integrated Hood:

Model Number	DSM_Airjt.Hybri_90BK
Dimensions (L x W x H)	90 cm x 51.5 cm x 20 cm
Weight	23.5 kg
Total Power	12 kW
Boost Power (single zone)	Up to 3600 W
Number of Heating Elements	9
Control Type	Touch Control

Hood Extraction Rate (Boost)	750 m³/h
Energy Efficiency Class	A++
Noise Level (Normal/Boost)	58 dB / 71 dB
Filter Type	Aluminum grease filter, Active carbon filter
Special Features	Bridge Connect, Pan Detection, Residual Heat Indicator
Surface Material	Stainless steel, Glass

Fiche de produit

Règlement délégué (UE) 65/2014

Nom du fournisseur ou marque commerciale	Klarstein
Référence du modèle	10046664
Consommation annuelle d'énergie	11,6 kWh/an
Classe d'efficacité énergétique	A++
Efficacité fluidodynamique	29,3
Classe d'efficacité fluidodynamique	A
Efficacité lumineuse	0,0 Lux/W
Classe d'efficacité lumineuse	-
Efficacité de filtration des graisses	77,5 %
Classe d'efficacité de filtration des graisses	C
Débit d'air (vitesse minimale en fonctionnement normal)	361 m ³ /h
Débit d'air (vitesse maximale en fonctionnement normal)	595 m ³ /h
Débit d'air (mode intensif ou «boost»)	745 m ³ /h
Émissions acoustiques dans l'air pondérées de la valeur A (vitesse minimale en fonctionnement normal)	58 dB
Émissions acoustiques dans l'air pondérées de la valeur A (vitesse maximale en fonctionnement normal)	62 dB
Émissions acoustiques dans l'air pondérées de la valeur A (mode intensif ou «boost»)	71 dB
Consommation d'électricité en mode «veille» (W)	0,34 W

Modèle mis sur le marché de l'Union du 01/12/2024



Numéro d'enregistrement EPREL: 2199402

<https://eprel.ec.europa.eu/qr/2199402>

Fournisseur: Chal -Tec GmbH (Mandataire)

Site web:

Service après-vente:

Nom: Customer_service

Site web: <https://www.elektronik-star.de/info/Impressum/>

Courriel: info@elektronik-star.de

Téléphone: +49303001385500

Adresse:

Mühlenstraße 25
10243 Berlin
Allemagne

9. WARRANTY AND SUPPORT

Klarstein products are designed for quality and reliability. For any questions, technical assistance, or warranty claims, please refer to the following information:

- **Return Policy:** The product is subject to a 30-day refund/replacement policy.
- **Manufacturer:** Klarstein
- **Customer Service:** For support, you can contact Klarstein Deutschland.
- **Online Resources:** Visit the official Klarstein website or the EPREL database for detailed product information and support documents.
- **Contact Information:**
 - Email: info@electronic-star.de
 - Phone: +493001385500
 - Website: <https://www.elektronik-star.de/info/impressum/>