



Manuals.plus /

› **Asidrama /**

› Asidrama 6 Pack Black Passage Crystal Door Knobs User Manual

Asidrama ZR12-216CL-B

Asidrama 6 Pack Black Passage Crystal Door Knobs User Manual

Model: ZR12-216CL-B

INTRODUCTION

This manual provides detailed instructions for the installation, operation, and maintenance of your Asidrama 6 Pack Black Passage Crystal Door Knobs. Please read these instructions carefully before installation and retain them for future reference. These door knobs are designed for interior doors where a locking function is desired, such as bedrooms or bathrooms, offering both functionality and aesthetic appeal.

ELEGANCE MADE SIMPLE

Precision Crafted For Every Home



Image: Two Asidrama crystal door knobs with matte black bases, showcasing their elegant design. The text on the image reads 'ELEGANCE MADE SIMPLE, Precision Crafted For Every Home'.

WHAT'S IN THE BOX

Verify that all components are present before beginning installation:

WHAT'S IN THE BOX

Everything You Need To Install



Image: A diagram showing all parts included in the Asidrama door knob package. Labeled components include: Door Knob Set, Square Bar, Latch, Screw Bag, Strike Plate, and Strike Box.

- Door Knob Set (6 units)
- Latch Mechanism (6 units)
- Strike Plate (6 units)
- Strike Box (6 units)
- Square Bar (6 units)
- Screw Bag (containing mounting screws and Allen wrench)

SETUP AND INSTALLATION

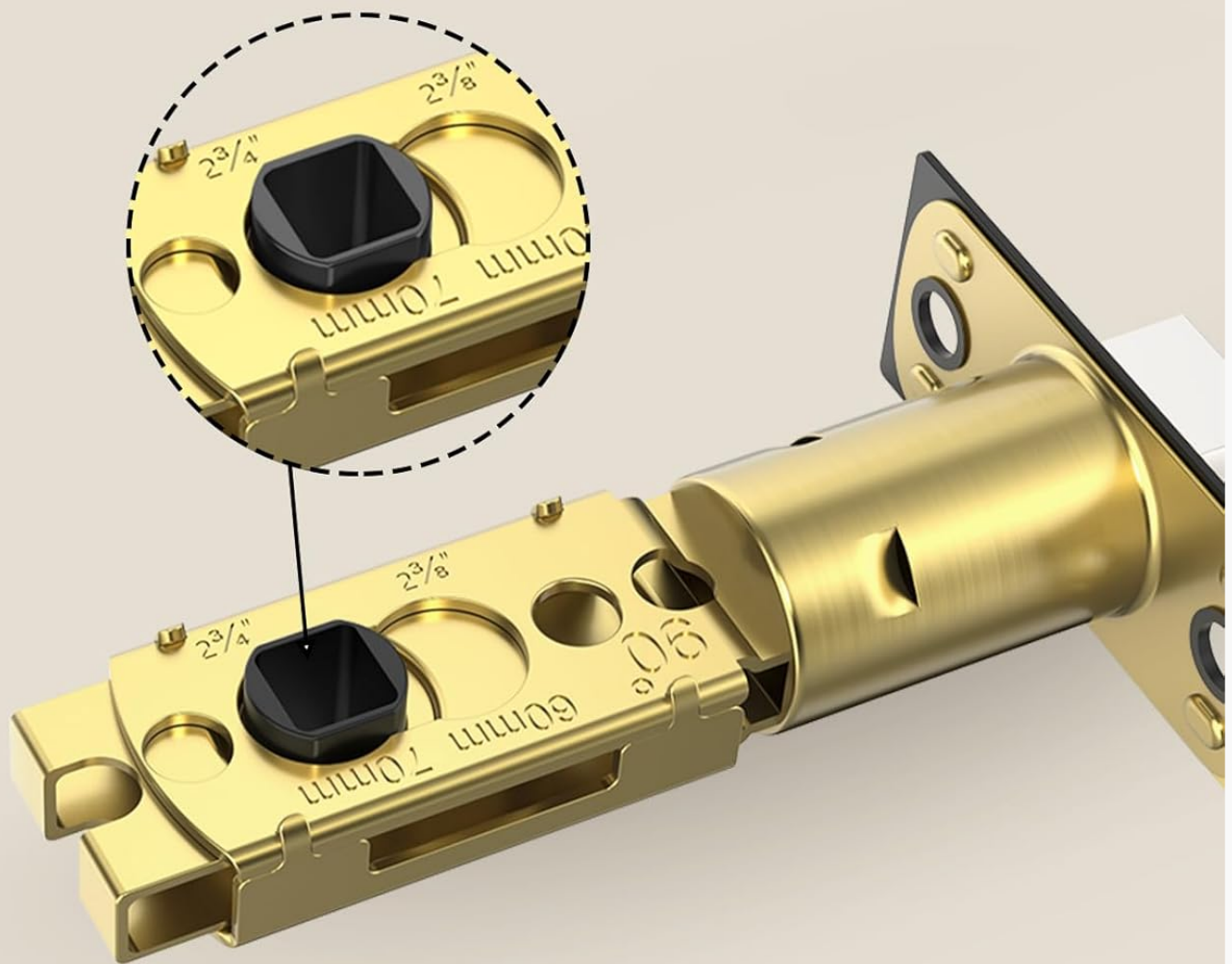
Follow these steps for proper installation. A Phillips head screwdriver and a measuring tape are recommended tools.

1. Prepare the Door

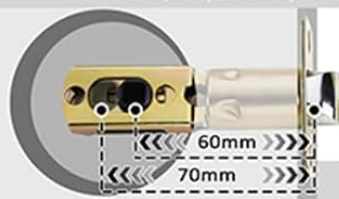
Ensure your door has standard bore holes. The latch mechanism is adjustable to fit backsets of 2-3/8 inches (60mm) or 2-3/4 inches (70mm).

FIT ALL STANDARD DOORS

PERFECT FOR YOUR HOUSE



2-3/8" (60MM) and 2-3/4" (70MM)



**ADJUSTABLE
LATH BACKEST**

Perfect suitable your door

Image: A detailed view of the adjustable latch mechanism, showing how to switch between 2-3/8" (60mm) and 2-3/4" (70mm) backset settings to fit various door preparations.

2. Install the Latch

1. Insert the latch mechanism into the edge bore hole of the door.
2. Secure the latch with the provided screws. Ensure the latch bolt faces the door frame.

3. Install the Door Knobs

1. Place the exterior knob assembly through the door, aligning the spindle with the latch mechanism.
2. Insert the square bar through the latch and the exterior knob.
3. Position the interior knob assembly over the square bar and align the mounting holes.
4. Secure both knob assemblies together using the long mounting screws. Tighten firmly but do not overtighten.

INSTALL IN SECONDS

Installation is as Simple as
Shown in the Video

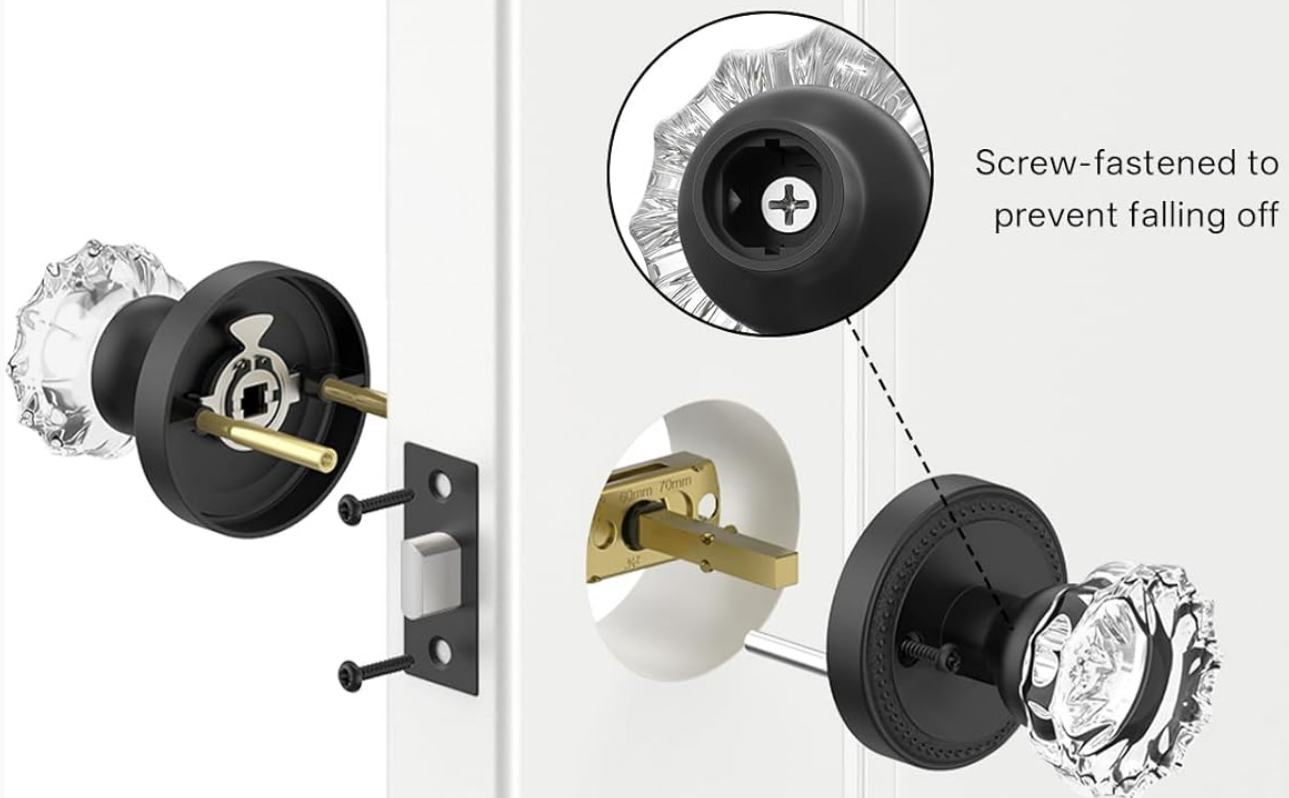


Image: An exploded view diagram illustrating the assembly of the door knob components, including the latch, spindle, and interior/exterior knobs, with a note 'INSTALL IN SECONDS'.

4. Install the Strike Plate and Box

1. Align the strike box with the latch bolt on the door frame.
2. Insert the strike box into the door frame.
3. Place the strike plate over the strike box and secure it with the provided screws.



Image: A close-up view of the Asidrama crystal door knob installed on a white interior door, demonstrating its appearance in a home setting.

OPERATING INSTRUCTIONS

The Asidrama Passage Crystal Door Knobs are designed for interior doors requiring a locking function, such as bedrooms or bathrooms. They feature a push-button lock mechanism.

- **To Open from Outside:** Turn the exterior knob.
- **To Open from Inside:** Turn the interior knob.

- **To Lock from Inside:** Press the push-button on the interior knob.
- **To Unlock from Inside:** Turn the interior knob.
- **Emergency Unlock from Outside:** In case of emergency, a small tool (e.g., a paperclip or thin pin) can be inserted into the small hole on the exterior knob to disengage the lock.

MAINTENANCE

Proper care will ensure the longevity and appearance of your door knobs.

- **Cleaning:** Use a soft, damp cloth to clean the crystal and matte black surfaces. Avoid abrasive cleaners, harsh chemicals, or solvents, as these can damage the finish.
- **Lubrication:** If the latch mechanism becomes stiff over time, apply a small amount of silicone-based lubricant to the moving parts of the latch. Do not use oil-based lubricants as they can attract dust and grime.
- **Tightening:** Periodically check and tighten any loose screws to ensure the door knob remains securely attached to the door.

TROUBLESHOOTING

Problem	Possible Cause	Solution
Knob is loose or wobbly.	Mounting screws are loose.	Tighten the mounting screws connecting the two knob assemblies.
Latch bolt does not retract smoothly.	Latch mechanism is dry or obstructed.	Apply silicone lubricant to the latch mechanism. Check for any debris obstructing the latch.
Door does not latch or close properly.	Strike plate misalignment or incorrect backset.	Adjust the strike plate position on the door frame. Verify the latch backset (2-3/8" or 2-3/4") matches the door preparation.
Lock button does not engage or disengage.	Internal mechanism issue or obstruction.	Ensure the knob assemblies are properly aligned and tightened. If the issue persists, contact customer support.

SPECIFICATIONS

- **Brand:** Asidrama
- **Model:** ZR12-216CL-B
- **Material:** Crystal, Metal (Matte Black finish)
- **Color:** Matte Black
- **Product Dimensions:** 1"L x 1"W (Knob dimensions, base diameter not specified but visible in images)
- **Lock Type:** Push Button Lock
- **Hand Orientation:** Ambidextrous (Reversible for left or right-sided doors)
- **Unit Count:** 6.0 Count
- **Item Weight:** Approximately 11.87 pounds (for 6-pack)
- **Backset:** Adjustable 2-3/8" (60mm) or 2-3/4" (70mm)

WARRANTY AND SUPPORT

For warranty information or technical assistance, please contact Asidrama customer support through their official website or the retailer where the product was purchased. Please have your model number (ZR12-216CL-B) and purchase details ready when contacting support.

