

Manuals+

[Q & A](#) | [Deep Search](#) | [Upload](#)

manuals.plus /

› [WFL GROUP](#) /

› [WFL GROUP Extendable Round Dining Table Instruction Manual \(Model 48780668-12\)](#)

WFL GROUP 48780668-12

WFL GROUP Extendable Round Dining Table Instruction Manual

Model: 48780668-12

INTRODUCTION

This manual provides detailed instructions for the assembly, operation, and maintenance of your WFL GROUP Extendable Round Dining Table. Please read these instructions carefully before use to ensure safe and proper functionality.



Image: The WFL GROUP Extendable Round Dining Table in its compact, round configuration, suitable for smaller spaces.

SETUP AND ASSEMBLY

Before beginning assembly, ensure all components are present and undamaged. It is recommended to assemble the table on a soft, clean surface to prevent scratches.

Package Contents:

- Tabletop sections (main round section, extension leaves)
- Table legs (solid beech wood)
- Hardware kit (screws, bolts, Allen key)
- Assembly instructions (this manual)

Assembly Steps:

1. **Unpack Components:** Carefully remove all parts from the packaging and lay them out. Verify against the parts list.
2. **Attach Legs to Tabletop:** Position the main tabletop section upside down. Secure the solid beech wood legs to the designated mounting points on the underside of the tabletop using the provided hardware. Ensure all screws are tightened firmly but do not overtighten.
3. **Position Table:** With assistance, carefully flip the assembled table upright and place it in its desired location.
4. **Store Extension Leaves:** If not immediately extending the table, store the extension leaves in a safe, dry place.

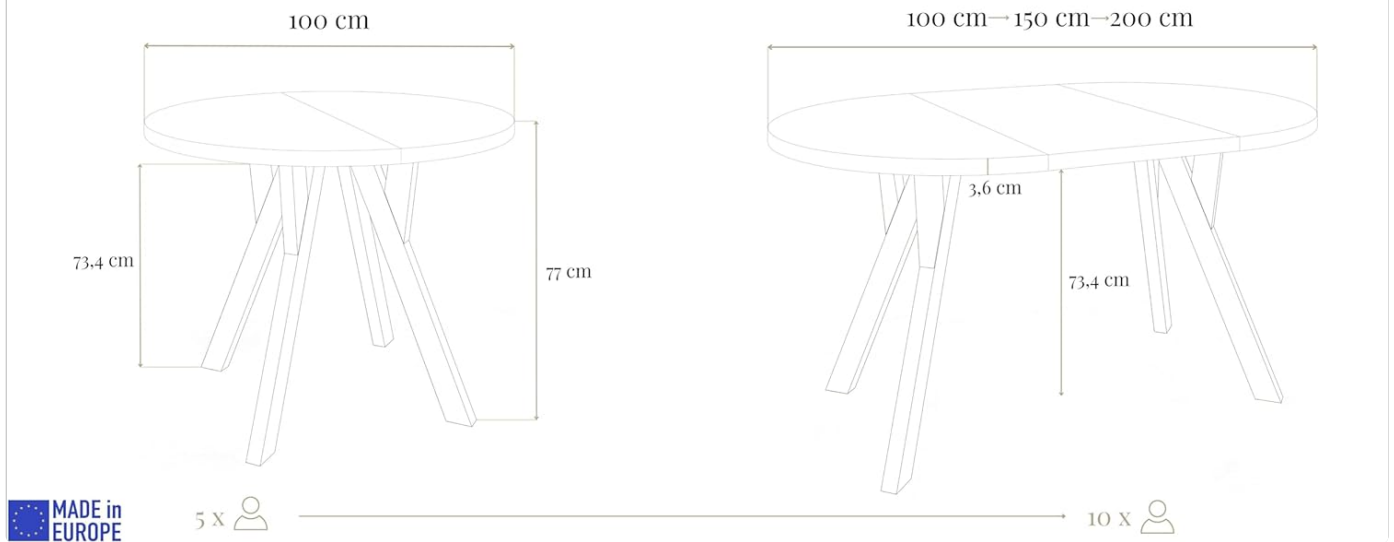


Image: Dimensional diagram illustrating the table's size in both its compact round state and its extended oval state, including height and width measurements.

OPERATING INSTRUCTIONS (EXTENDING THE TABLE)

The WFL GROUP dining table features an intelligent extension mechanism, allowing it to transform from a compact round table to a larger oval table.

Extension Process:

1. **Unlock Tabletop:** Locate any locking mechanisms under the tabletop. Release them to allow the tabletop halves to slide apart.
2. **Separate Tabletop Halves:** Gently pull the two halves of the round tabletop apart. This will reveal the central space for the extension leaves.
3. **Insert Extension Leaves:** Place the extension leaves into the gap created. Ensure they are properly aligned with the main tabletop sections.
4. **Secure Tabletop:** Push the tabletop halves back together until they are flush with the extension leaves. Re-engage any locking mechanisms under the table to secure the extended tabletop.

Depending on your specific model, the table can extend to various lengths:

- **100 cm (round) to 200 cm (extended):** Accommodates 5 to 10 people. (This is the current product variant)
- Other variants may include: 80 cm to 160 cm (4-8 people), 90 cm to 190 cm (5-9 people), or 100 cm to 140 cm (5-7 people).



Image: The WFL GROUP Extendable Round Dining Table shown in its extended oval configuration, providing ample space for additional diners.

CARE AND MAINTENANCE

Proper care will ensure the longevity and appearance of your WFL GROUP dining table.

- **Cleaning:** Wipe the tabletop and legs with a soft, damp cloth. For stubborn stains, use a mild soap solution and immediately dry with a clean cloth.
- **Avoid Harsh Chemicals:** Do not use abrasive cleaners, strong detergents, or solvents, as these can damage the laminated tabletop finish and wood legs.
- **Protect from Heat and Moisture:** Always use coasters for hot dishes and placemats to protect the surface from spills and scratches.
- **Sunlight Exposure:** Avoid prolonged direct sunlight exposure to prevent fading or discoloration of the wood and tabletop finish.
- **Regular Inspection:** Periodically check all screws and bolts to ensure they remain tight. Retighten if necessary.



Image: A detailed view of the concrete grey laminated tabletop surface, highlighting its texture and the precise fit of the extension panels.

TROUBLESHOOTING

This section addresses common issues you might encounter with your dining table.

Problem	Possible Cause	Solution
Table feels wobbly or unstable.	Loose leg connections or uneven floor.	Check and tighten all leg screws. Ensure the table is on a level surface; use furniture pads if necessary to stabilize.
Extension leaves do not fit smoothly.	Misalignment or debris in the sliding mechanism.	Ensure the tabletop halves are fully separated. Check the sliding tracks for any obstructions and clean if needed. Realign the leaves carefully.
Tabletop sections do not lock securely.	Locking mechanisms are not fully engaged or are obstructed.	Verify that the tabletop halves are pushed completely together. Inspect the locking mechanisms for any damage or obstruction and ensure they click into place.

SPECIFICATIONS

Feature	Detail
Brand	WFL GROUP

Feature	Detail
Model Number	48780668-12
Color	Concrete Grey
Dimensions (L x W x H) - Compact	100 cm (Diameter) x 77 cm (Height)
Dimensions (L x W x H) - Extended	100 cm (Width) x 200 cm (Length) x 77 cm (Height)
Material (Tabletop)	Engineered Wood (Laminated finish)
Material (Frame/Legs)	Solid Beech Wood
Item Weight	30 Kilograms
Maximum Weight Recommendation	50 Kilograms
Seating Capacity (Compact)	Up to 5 people
Seating Capacity (Extended)	Up to 10 people
Care Instructions	Wipe with a damp cloth

WARRANTY AND SUPPORT

Information regarding specific warranty terms for the WFL GROUP Extendable Round Dining Table is not provided in this manual. For warranty details or customer support, please refer to your purchase documentation or contact the retailer directly.

For further assistance, you may also visit the WFL GROUP website or contact their customer service department.

