



[Manuals.plus](#) /

> [INJORA](#) /

> INJORA Off-Road Camping Trailer User Manual

INJORA TC10

INJORA Off-Road Camping Trailer User Manual

Model: TC10

1. INTRODUCTION

Thank you for choosing the INJORA Off-Road Camping Trailer. This manual provides essential information for the proper setup, operation, and maintenance of your new RC accessory. Designed for 1/18 and 1/24 scale RC crawlers like the TRX4M and SCX24, this durable plastic trailer enhances the realism and functionality of your RC adventures.



Figure 1.1: The INJORA Off-Road Camping Trailer in Silver, shown with its product packaging.

2. SAFETY INFORMATION

- This product is recommended for users aged 14 years and up. Adult supervision is advised for younger users.
- Keep small parts away from children to prevent choking hazards.
- Ensure all connections are secure before operating your RC vehicle with the trailer attached.
- Do not modify the product in ways not described in this manual, as it may compromise performance or safety.
- Operate RC vehicles and trailers in open areas, away from people, pets, and obstacles.

3. PACKAGE CONTENTS

The following items are included in your package:

- 1x INJORA Off-Road Camping Trailer (Color: Silver)
- Mounting screws and nuts (for attachment)



Figure 3.1: Included components for the INJORA Off-Road Camping Trailer.

4. SETUP AND INSTALLATION

The INJORA Off-Road Camping Trailer is designed for easy installation. Please follow these steps:

1. **Prepare your RC Crawler:** Ensure your RC crawler has a tow hitch pre-installed. *Note: A tow hitch is not included with this trailer and must be purchased separately.*

2. **Attach the Trailer:** Align the trailer's tow bar with the tow hitch on your RC crawler. Secure the connection using the provided screws and nuts. Ensure the connection is firm and stable to prevent detachment during operation.



Figure 4.1: Proper attachment of the trailer to an RC crawler's tow hitch.

The trailer features a foldable stand at the front for stability when unhitched.



Figure 4.2: The foldable front stand provides stability when the trailer is not attached to a vehicle.

5. OPERATING INSTRUCTIONS

Once properly attached, your INJORA Off-Road Camping Trailer is ready for use. This trailer is designed to be pulled by 1/24 and 1/18 scale RC crawlers, enhancing the realism of your off-road simulations.

- **Driving:** Operate your RC crawler as usual, being mindful of the added length and weight of the trailer, especially when turning or navigating obstacles.
- **Realistic Features:** The trailer features realistic scale detailing, including functional doors and a roof rack. The rear of the trailer is non-removable, and the cargo space is limited.
- **Lighting Option:** The trailer has pre-drilled holes for easy installation of LED lights (LEDs not included). This allows for customization and added realism, particularly for night operations.



Figure 5.1: The trailer in action, demonstrating its compatibility with RC crawlers on various terrains.

6. MAINTENANCE

To ensure the longevity and optimal performance of your INJORA Off-Road Camping Trailer, follow these simple maintenance guidelines:

- **Cleaning:** After use, especially in dusty or muddy conditions, wipe down the trailer with a soft, damp cloth. Avoid harsh chemicals that may damage the plastic finish.
- **Inspection:** Periodically check all screws and connections to ensure they remain tight. Re-tighten if necessary.
- **Storage:** Store the trailer in a clean, dry place away from direct sunlight and extreme temperatures when not in use.

7. TROUBLESHOOTING

If you encounter any issues with your INJORA Off-Road Camping Trailer, consider the following common solutions:

- **Trailer Detaches During Operation:** Ensure the tow hitch on your RC crawler is securely attached and the trailer's

connection to the hitch is tightened properly with the provided screws and nuts.

- **Difficulty Pulling Trailer:** Verify that your RC crawler's motor and battery are sufficient for the added weight of the trailer (260g). Ensure the trailer's wheels spin freely.
- **Doors Not Staying Shut:** Check for any debris obstructing the door latches. If the issue persists, inspect the latch mechanism for damage.

For persistent issues not covered here, please contact INJORA customer support.

8. SPECIFICATIONS

Feature	Detail
Part Number	TC10
Material	Plastic (ABS)
Color Options	White (Painted), Silver, Sandy Taupe
Dimensions (L*W*H)	220mm * 70mm * 110mm (8.66 * 2.76 * 4.33 inches)
Weight	260g (0.57 lbs)
Compatibility	1/18 and 1/24 scale RC crawlers (e.g., SCX24, TRX4M)
Recommended Age	14 years and up

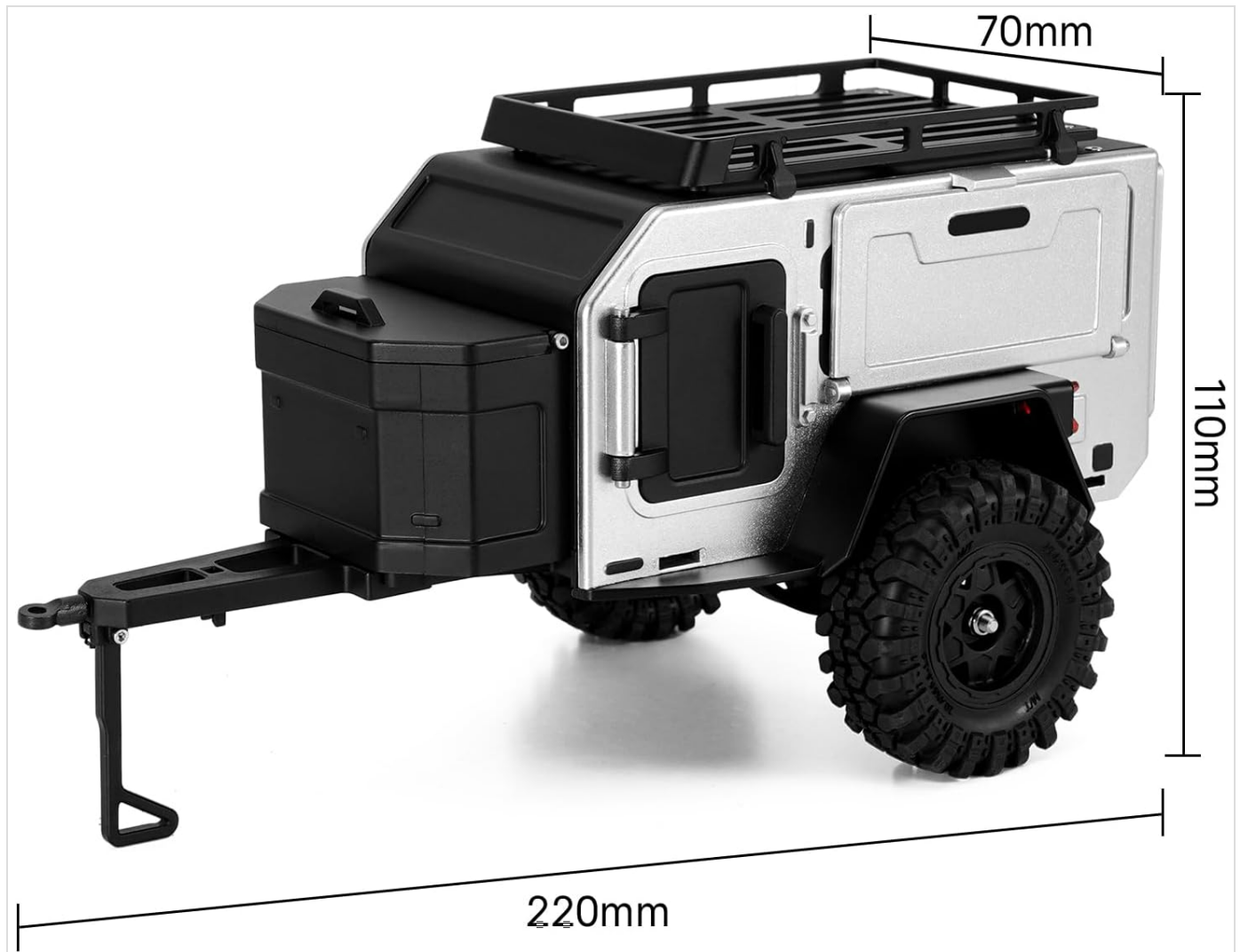


Figure 8.1: Key dimensions of the INJORA Off-Road Camping Trailer.



Figure 8.2: Detail of the trailer's durable off-road tire and wheel.

9. WARRANTY INFORMATION

Specific warranty details for the INJORA Off-Road Camping Trailer are not provided in this manual. For information regarding warranty coverage, terms, and conditions, please refer to the product listing on the retailer's website or contact INJORA customer support directly.

10. CUSTOMER SUPPORT

If you have any questions, require technical assistance, or need further support regarding your INJORA Off-Road Camping Trailer, please contact INJORA customer service through their official channels. You can typically find contact information on the INJORA brand store page on Amazon or their official website.

Visit the INJORA Store: <https://www.amazon.com/stores/INJORA/page/6E25EC4C-B068-4AC8-AFCE-9A2B9506F53B>

