

[Manuals.plus](#) /

> [Manxrtod](#) /

> Manxrtod 2215 Replacement T-Wide Blades User Manual

Manxrtod 2215

Manxrtod 2215 Replacement T-Wide Blades User Manual

For Wahl 5 Star Detailer Li Trimmer Models 8081 and 8171

PRODUCT OVERVIEW

The Manxrtod 2215 Replacement T-Wide Blades are designed for use with Wahl 5 Star Detailer Li Trimmer models 8081 and 8171. These blades are crafted from high-quality stainless steel, ensuring durability, sharpness, and a long lifespan. They are adjustable for zero-gap settings, making them ideal for precise trimming and detailed designs.

Key Features

- **Compatibility:** Specifically designed for Wahl 5 Star Series Detailer Li Trimmer 8081 and 8171.
- **Material:** Made of high-quality stainless steel for enhanced durability and performance.
- **Precision:** Zero-gap adjustable for close and precise cutting, suitable for intricate designs and sharp lines.
- **Comfort:** Features high hardness, hypoallergenic properties, and maintains a lower blade temperature during use.
- **Ease of Use:** Designed for easy replacement and cleaning.

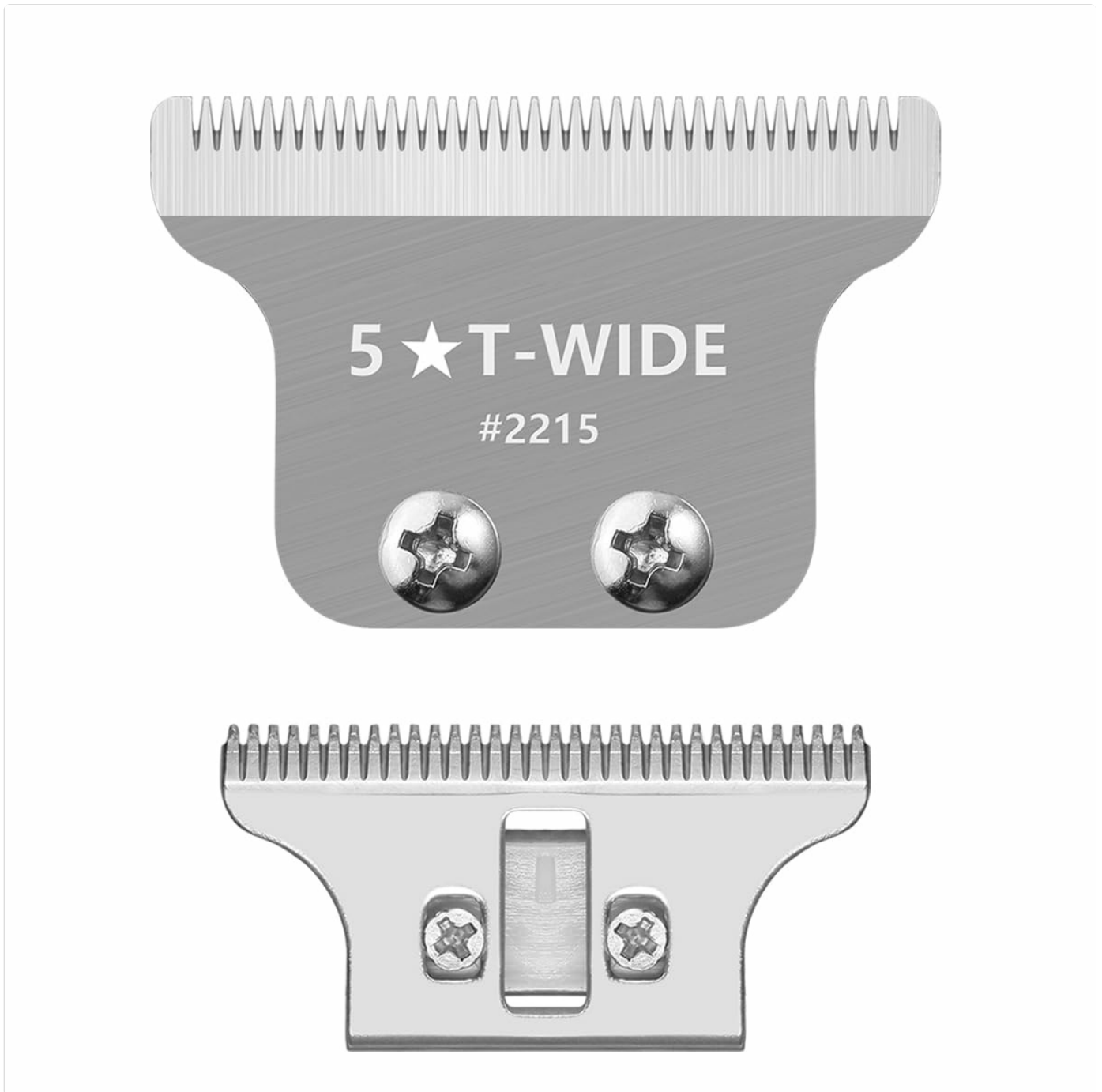


Figure 1: Components of the Manxrtod 2215 Replacement T-Wide Blade set, including the fixed blade, moving blade, and attachment screws.

COMPATIBLE MODELS

These replacement blades are compatible with the following Wahl 5 Star Series Detailer Trimmer models:

- **8081-1212:** 5 Star Series T-Wide Detailer
- **8081-1012:** 5 Star Series T-Wide Detailer Black & Gold
- **8171-012:** 5 Star Series Cordless Detailer

COMPATIBLE MODELS:

8081-1212 - 5 STAR SERIES T-WIDE DETAILER

8081-1012 - 5 STAR SERIES T-WIDE DETAILER BLACK & GOLD

8171-012 - 5 STAR SERIES CORDLESS DETAILER



Figure 2: Visual representation of compatible Wahl Detailer trimmer models.

SETUP AND INSTALLATION

Follow these steps to replace the T-Wide blades on your Wahl Detailer trimmer:

1. Step 1: Remove Old Blades

Using a screwdriver, carefully remove the screws holding the existing blade assembly to the trimmer head. Keep the screws in a safe place.

2. Step 2: Position New Blade

Align the new Manxrtod T-Wide blade onto the trimmer head, ensuring it sits correctly on the posts.

3. Step 3: Secure New Blade

Reinsert the screws and tighten them securely with the screwdriver. Ensure the blade is firmly attached and properly aligned.

4. Step 4: Verify Installation

Once the screws are tightened, confirm that the blade is stable and does not wobble. The installation is now complete.



Step 1
Take out the screws



Step 2
Place new blade



Step 3
Screw and Done



Step 4
Installation completed

Figure 3: Step-by-step guide for blade replacement.

OPERATING INSTRUCTIONS

The Manxrtod 2215 T-Wide blades are designed for precision and detail work. For optimal performance, ensure your trimmer is clean and well-maintained before each use.

Zero-Gap Adjustment

These blades are zero-gap adjustable, allowing for extremely close cutting and sharp lines. To adjust the zero-gap:

- Loosen the two screws on the blade assembly slightly.
- Carefully align the cutting blade with the stationary blade, ensuring they are perfectly parallel and the cutting blade is just below the stationary blade's edge.
- Tighten the screws firmly once the desired alignment is achieved.
- Always exercise caution when adjusting to prevent nicks or cuts during use.

ZERO-GAP

**Ideal for precise trimming and detailed designs.
Stagger-tooth blade for blending and texturing.**

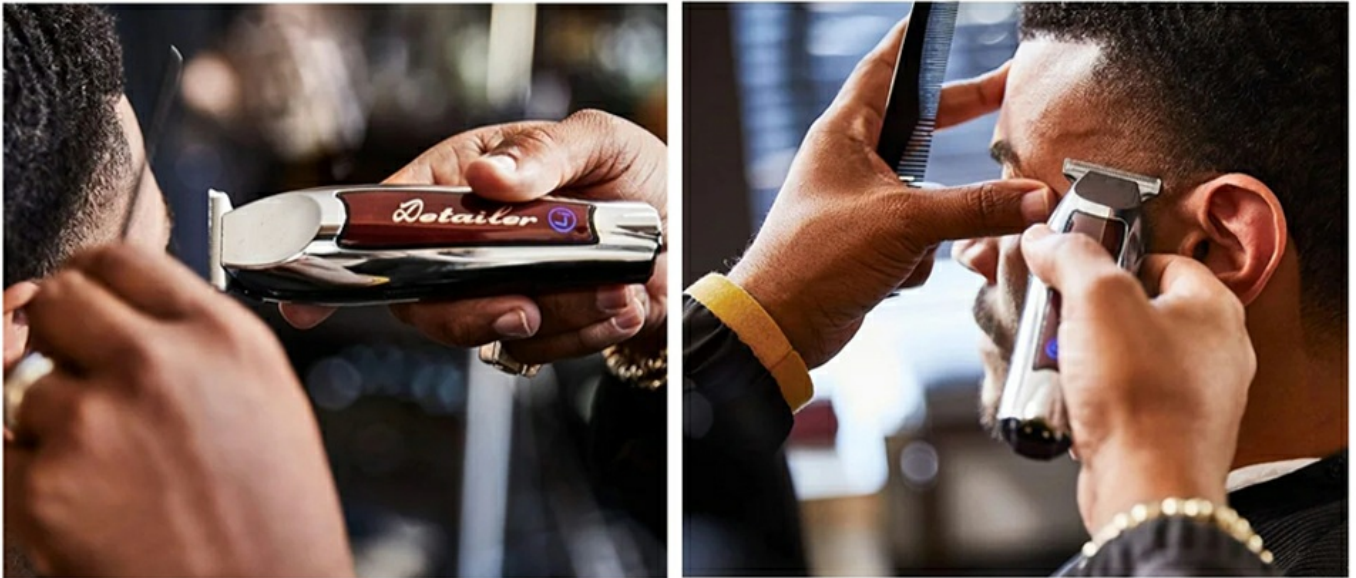


Figure 4: Demonstrating the precision of zero-gap adjusted blades for detailed grooming.

MAINTENANCE

Proper maintenance extends the life and performance of your Manxrtod replacement blades.

Cleaning

- After each use, brush off any hair clippings from the blades using a small cleaning brush.
- For a more thorough cleaning, the blades can be removed (refer to Setup and Installation section) and rinsed under cool running water. Ensure blades are completely dry before reattaching to prevent rust.
- Do not use harsh chemicals or abrasive cleaners on the blades.

Lubrication

- Regularly apply a few drops of clipper oil to the blades while the trimmer is running to ensure smooth operation and reduce friction.
- Wipe off any excess oil.

Storage

- Store the trimmer with the blades attached in a dry, cool place, away from direct sunlight and moisture.
- Keep out of reach of children.

TROUBLESHOOTING

If you encounter issues with your Manxrtod replacement blades, consider the following common solutions:

Problem	Possible Cause	Solution
Blades pulling or snagging hair	Blades are dull, dirty, or not properly lubricated.	Clean and oil the blades. If the problem persists, the blades may need replacement.
Blades not cutting cleanly	Improper zero-gap adjustment or worn blades.	Re-adjust the zero-gap setting. Ensure blades are sharp; replace if necessary.
Excessive heat from blades	Lack of lubrication or prolonged use.	Apply clipper oil. Allow the trimmer to cool down between uses.

SPECIFICATIONS

- **Model Number:** 2215
- **Material:** Stainless Steel
- **Compatibility:** Wahl 5 Star Detailer Li Trimmer (8081, 8171)
- **Dimensions:** 2.64 x 1.97 x 0.51 inches
- **Weight:** 0.63 ounces
- **Manufacturer:** Manxrtod

SAFETY INFORMATION

This product is intended for professional barber use. Always handle blades with care to prevent injury. Ensure the trimmer is turned off and unplugged before attempting to replace or clean blades.

WARRANTY AND SUPPORT

Manxrtod is committed to customer satisfaction. If you encounter any problems or have questions regarding your 2215 Replacement T-Wide Blades, please do not hesitate to contact us. We aim to reply to all inquiries within 12 hours. For support, please refer to the contact information provided with your purchase or visit the official Manxrtod website.

