

[Manuals.plus](#) /

> [VEVOR](#) /

> VEVOR Pull-Out Trash Can User Manual

VEVOR BB-LM27L02

VEVOR Pull-Out Trash Can User Manual

Model: BB-LM27L02

Brand: VEVOR

1. INTRODUCTION

This user manual provides detailed instructions for the installation, operation, and maintenance of your VEVOR Pull-Out Trash Can. Please read this manual thoroughly before installation and use to ensure proper function and safety. This product is designed to maximize space usage and keep your kitchen cleaner and more organized by providing a hidden, dual-bin waste solution.

2. SAFETY INSTRUCTIONS

- Ensure all components are securely fastened during installation to prevent tipping or instability.
- Do not overload the trash cans beyond the specified capacity of 66 lbs (30 kg).
- Keep hands and fingers clear of moving parts, especially the soft-close slides, during operation.
- This product is intended for indoor use within kitchen cabinets. Do not expose to extreme temperatures or harsh chemicals.
- Regularly inspect the slides and frame for any signs of wear or damage. Replace damaged parts immediately.
- Keep out of reach of small children and pets to prevent accidental injury or spillage.

3. PRODUCT OVERVIEW AND COMPONENTS

The VEVOR Pull-Out Trash Can system includes the following main components:

- **Dual Trash Bins:** Two 27 QT (25L) capacity bins for waste and recycling.
- **Heavy-Duty Frame:** Iron frame providing structural support and housing the bins.
- **Soft-Close Slides:** High-quality damping rails for smooth and quiet operation.
- **Door Kit:** Brackets and hardware for mounting the system to a cabinet door.

- **Mounting Hardware:** Screws and other fasteners for installation.



Figure 3.1: Complete VEVOR Pull-Out Trash Can system with dual bins and mounting accessories.

High-Quality Materials Constructed to last



Figure 3.2: Detailed view of product components and features, highlighting capacity, load capacity, and soft-close slides.

4. SPECIFICATIONS

Feature	Detail
Model Number	BB-LM27L02
Bin Capacity	2 x 27 QT (2 x 25 L)
Load Capacity	66 lbs (30 kg)
Product Dimensions (L x W x H)	22.0 x 11.4 x 19.1 inches (560 x 290 x 485 mm)
Rail Material	Iron

Feature	Detail
Bin Material	Polypropylene (PP)
Special Feature	Soft-Close System
Color	Grey
Item Weight	14.0 lbs (6.45 kg)

Measure Cabinet Size Before Ordering



Figure 4.1: Product dimensions for cabinet fit.



Figure 4.2: Overview of key product specifications.

5. SETUP AND INSTALLATION

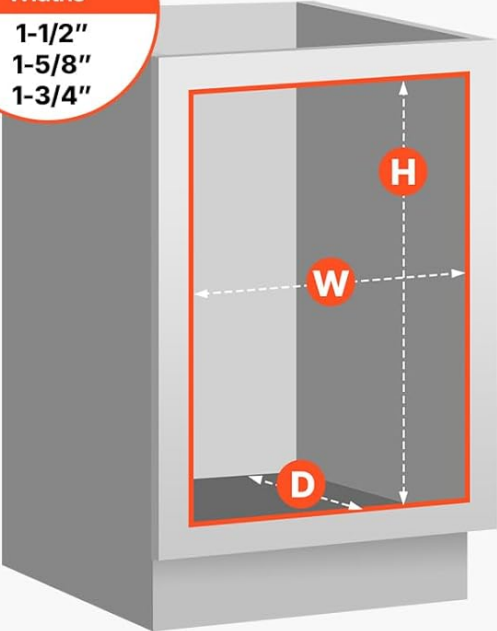
Before beginning installation, ensure your cabinet meets the recommended dimensions:

- **Depth:** ≥ 22 inches (565mm)
- **Width:** ≥ 11.5 inches (292mm)
- **Vertical Height:** ≥ 20 inches (508mm)

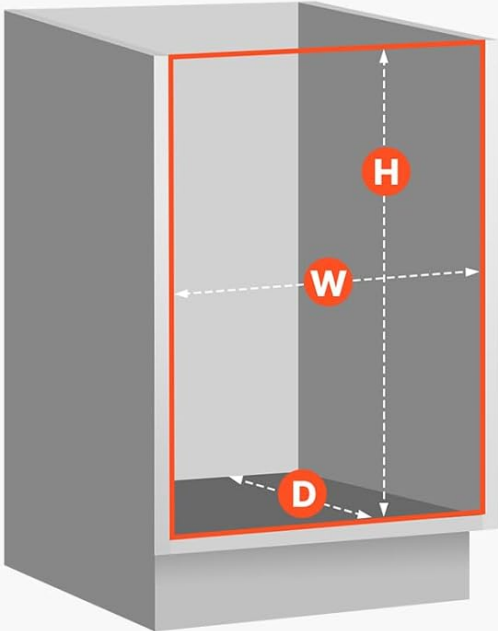
Minimum Cabinet Opening(MCO)

Note: Confirm the cabinet style before ordering

- Common Face Frame Widths
- 1-1/2"
 - 1-5/8"
 - 1-3/4"



VS



W Width **D** Depth **H** Height



Frame
Traditional style common in the USA



Frameless
(Full Access)
European inspired design

Figure 5.1: Guide to measuring your cabinet for proper fit.

Soft Closing Damping Design



Damping Rails,
Quiet and Smooth



Ball-Bearing
Tracks



Bottom Cabinet
Mounting

Figure 5.2: Understanding cabinet styles (Frame vs. Frameless) for installation.

Installation Steps:

1. Step 1: Confirm Cabinet Type and Measure Dimensions.

Carefully measure the interior dimensions of your cabinet to ensure they meet the minimum requirements. Confirm if your cabinet is a Frame or Frameless style.

2. Step 2: Attach Positioning Template and Mark Hole Positions.

Use the provided positioning template. Attach it to the bottom of your cabinet and mark the drill hole positions accurately with a pencil.

3. Step 3: Remove Template, Drill Holes, Install Side Rails and Door Kit.

Remove the template. Drill pilot holes at the marked positions. Securely install the side rails of the pull-out system using the provided screws. Attach the door kit to your cabinet door and then connect it to the pull-out system.

4. Step 4: Ready for Use.

Once all components are securely installed, insert the trash bins into the frame. The system is now ready for use.

Keep Trash Out of Sight



Figure 5.3: Visual guide to the installation process.

6. OPERATING INSTRUCTIONS

Operating your VEVOR Pull-Out Trash Can is straightforward:

- **Pulling Out:** Gently pull the cabinet door (if door-mounted) or the frame itself to slide the trash bins out. The soft-close slides will ensure a smooth and quiet extension.
- **Disposing Waste:** Place your waste or recyclables into the appropriate bin. The dual-bin design allows for easy sorting.
- **Pushing In:** Gently push the cabinet door or frame back into the cabinet. The soft-close mechanism will engage, slowly and quietly pulling the bins fully back into their hidden position.

Product Specifications

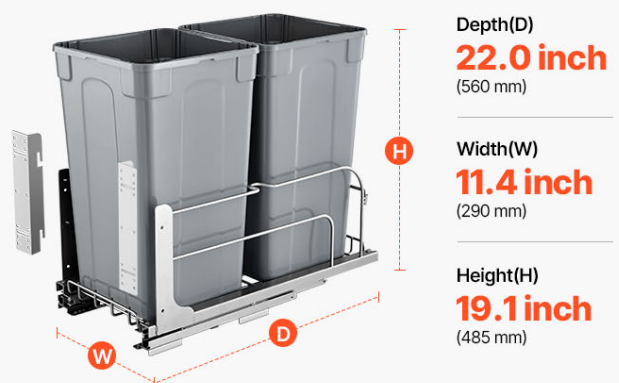
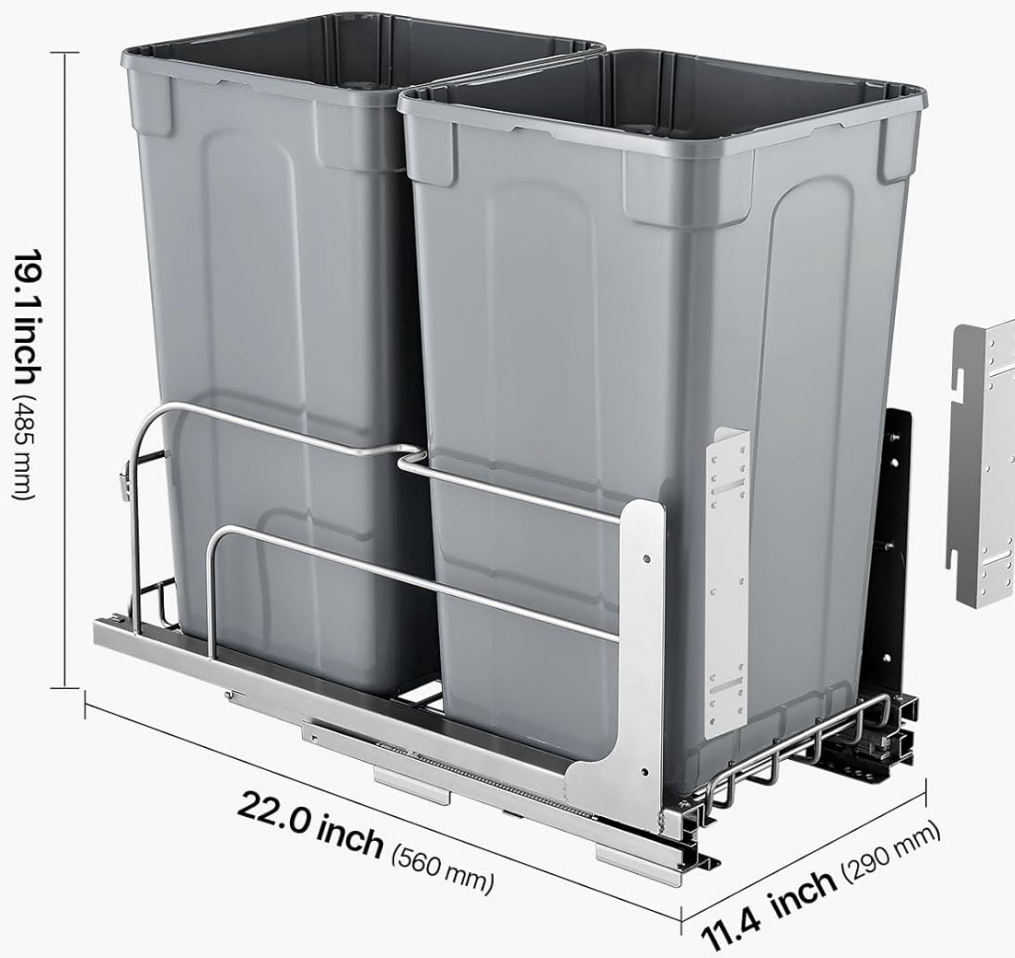


Figure 6.1: The pull-out waste container in use, hidden within the cabinet.



Item Model Number: **BB-LM27L02**

Can Capacity: **27QT*2 / 25L*2**

Bin Material: **PP**

Rail Material: **Iron**

Load Capacity: **55.12lbs / 25kg**

Item Weight: **14.0lbs / 6.45kg**

Figure 6.2: Illustration of the soft-closing feature, ensuring quiet and smooth operation.

7. MAINTENANCE

Regular maintenance will ensure the longevity and smooth operation of your VEVOR Pull-Out Trash Can:

- **Cleaning Bins:** The polypropylene bins can be easily removed and washed with mild soap and water. Rinse thoroughly and dry before returning them to the frame.
- **Cleaning Frame and Slides:** Wipe down the iron frame and slides with a damp cloth. Avoid abrasive cleaners or harsh chemicals that could damage the finish or lubrication of the slides.
- **Lubrication:** Periodically, apply a small amount of silicone-based lubricant to the slide rails to maintain smooth operation. Do not use oil-based lubricants as they can attract dust and debris.
- **Inspection:** Regularly check all screws and fasteners to ensure they remain tight. Tighten any loose connections to prevent instability. Inspect the slides for any signs of wear, bending, or damage.

8. TROUBLESHOOTING

Problem	Possible Cause	Solution
Trash can does not slide smoothly.	Debris in slides, lack of lubrication, or misaligned installation.	Clean slides of any debris. Apply silicone lubricant. Check installation alignment and adjust if necessary.
Soft-close mechanism not engaging properly.	Overloaded bins, damaged soft-close damper, or obstruction.	Reduce weight in bins. Inspect damper for damage; contact support if damaged. Check for obstructions preventing full closure.
System feels wobbly or unstable.	Loose mounting screws or improper installation.	Tighten all mounting screws. Re-check installation steps to ensure proper alignment and secure fastening.
Cabinet door not pulling out the system.	Door kit not securely attached or misaligned.	Ensure the door kit brackets are firmly attached to both the door and the pull-out frame. Adjust alignment if needed.

9. WARRANTY AND SUPPORT

VEVOR products are designed for durability and performance. For warranty information, technical support, or replacement parts, please visit the official VEVOR website or contact their customer service department. Please have your model number (BB-LM27L02) and purchase details ready when contacting support.

For more information, visit: www.vevor.com

