

RK ROYAL KLUDGE C68

RK ROYAL KLUDGE C68 Hall Effect Mechanical Gaming Keyboard User Manual

Model: C68

INTRODUCTION

Welcome to the RK ROYAL KLUDGE C68 Hall Effect Mechanical Gaming Keyboard user manual. This guide provides detailed instructions for setting up, operating, maintaining, and troubleshooting your new keyboard. The C68 is a high-performance 65% layout keyboard featuring Hall Effect magnetic switches, rapid trigger functionality, adjustable actuation points, and an 8K Hz polling rate for an unparalleled gaming and typing experience.

WHAT'S IN THE BOX

- 1 x RK ROYAL KLUDGE C68 Hall Effect Mechanical Gaming Keyboard
- 1 x USB-C to USB-A Cable
- 1 x 2-in-1 Keycap & Switch Puller
- 4 x Backup Switches
- 1 x Dust Cover
- 1 x User Manual (this document)

SETUP

Connecting Your Keyboard

1. Unpack the RK ROYAL KLUDGE C68 keyboard and its accessories.
2. Connect the provided USB-C to USB-A cable to the USB-C port on the keyboard.
3. Plug the USB-A end of the cable into an available USB port on your computer (Laptop, PC).
4. The keyboard will automatically be recognized by your operating system (Windows, macOS).

Initial Driver Installation (Optional for Advanced Features)

For full customization and to unlock advanced features like Rapid Trigger, Dynamic Keystroke (DKS), Multi-Tap (MT), Toggle (TGL), and SOCD Cleaning, it is recommended to use the web-based customization software.

- Access the official RK ROYAL KLUDGE website to find the Pro Web Driver.
- Follow the on-screen instructions to connect your keyboard to the web driver interface.

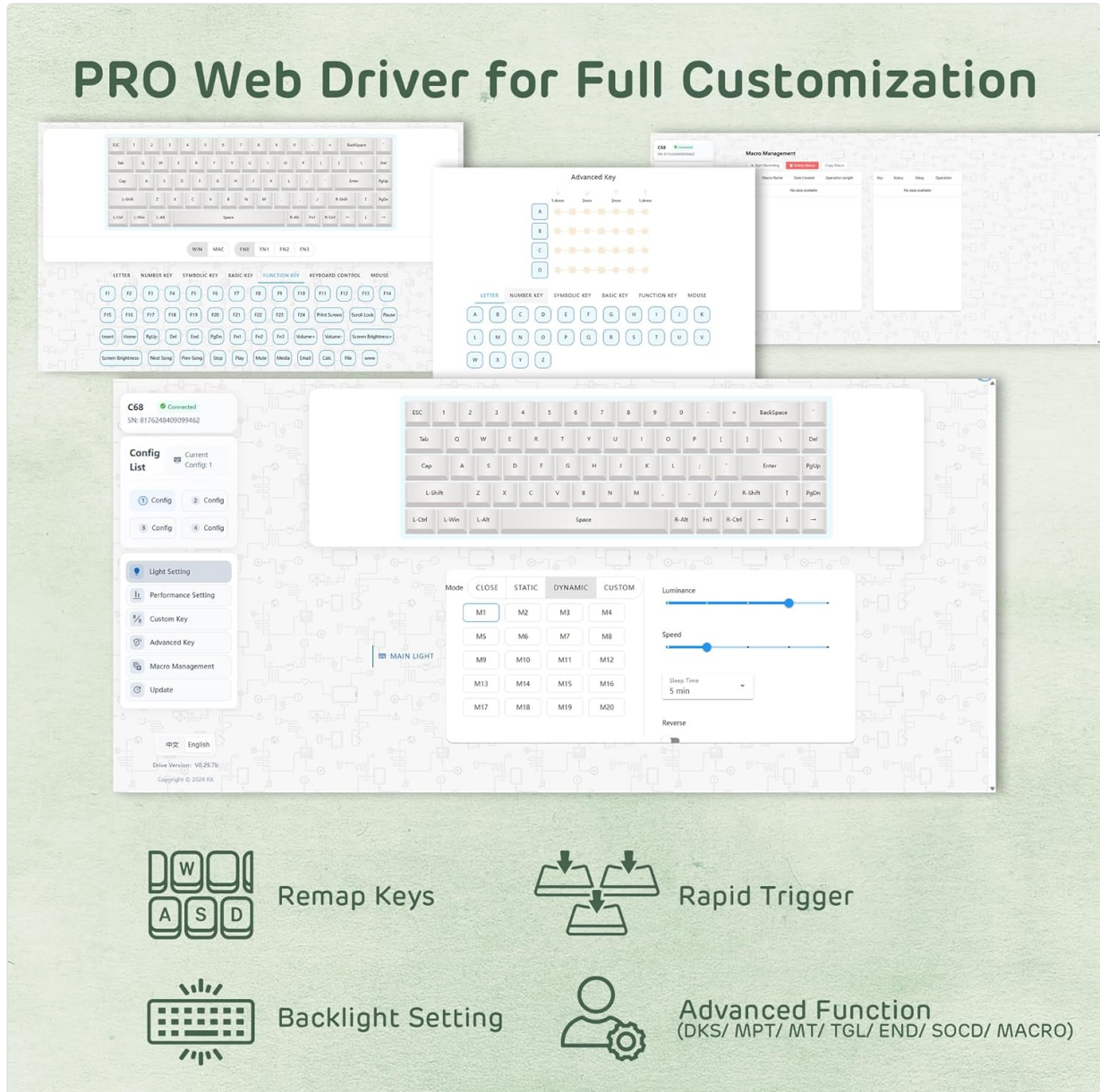


Image: The Pro Web Driver interface for comprehensive keyboard customization.

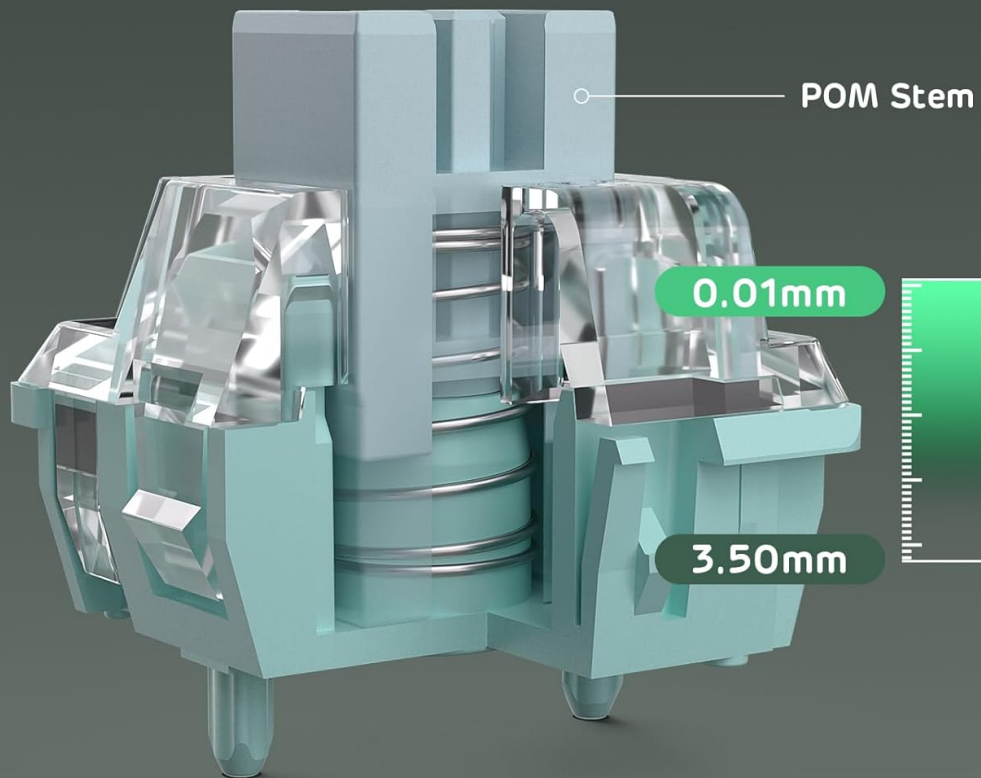
OPERATING INSTRUCTIONS

Hall Effect Magnetic Switches & Adjustable Actuation

The C68 features Hall Effect magnetic switches, offering precise and customizable actuation. Each key's actuation point can be adjusted from **0.01mm to 3.5mm**, allowing you to fine-tune sensitivity for different tasks, from light touches for gaming to deeper presses for typing.

Customizable Pre-Key Actuation

Set the actuation point from 0.01mm to 3.5mm to match your play style



Minimum Trigger Force

$37 \pm 10 \text{gf}$

Terminal Force

$60 \pm 10 \text{gf}$

Total Travel

$3.8 \pm 0.4 \text{mm}$

Image: Customizable pre-key actuation settings for Hall Effect switches.

Rapid Trigger Functionality

Rapid Trigger allows for instant activation and reset of keys based on real-time key travel. This feature is particularly beneficial in fast-paced games, enabling quicker peeking, rapid-stop shooting, and improved responsiveness.

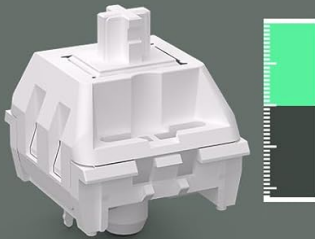
Win With Rapid Trigger

Reset instantly enabling faster in-game response

Regular Switch



No Rapid Trigger

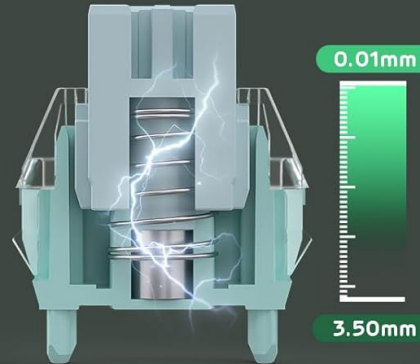


Fixed Actuation
/Reset Point

Magnetic Switch



Rapid Trigger ON



Dynamic Reset
& Active point

Image: Visualizing the advantage of Rapid Trigger with magnetic switches.

Your browser does not support the video tag.

Video: An overview of the RK ROYAL KLUDGE C68 Hall Effect Mechanical Gaming Keyboard, highlighting its features including magnetic switches and rapid trigger.

Your browser does not support the video tag.

Video: A short demonstration of the RK ROYAL KLUDGE Hall Effect Magnetic Gaming Keyboard's key features, including 8000Hz polling rate, adjustable actuation, rapid trigger, DKS, and TGL functions.

8K Hz Polling Rate & Ultra-Low Latency

The C68 boasts an **8000Hz polling rate** and **64K Hz key scanning frequency**, resulting in an ultra-fast **0.125ms response time**. This significantly reduces input lag, providing a competitive edge in demanding applications and games.

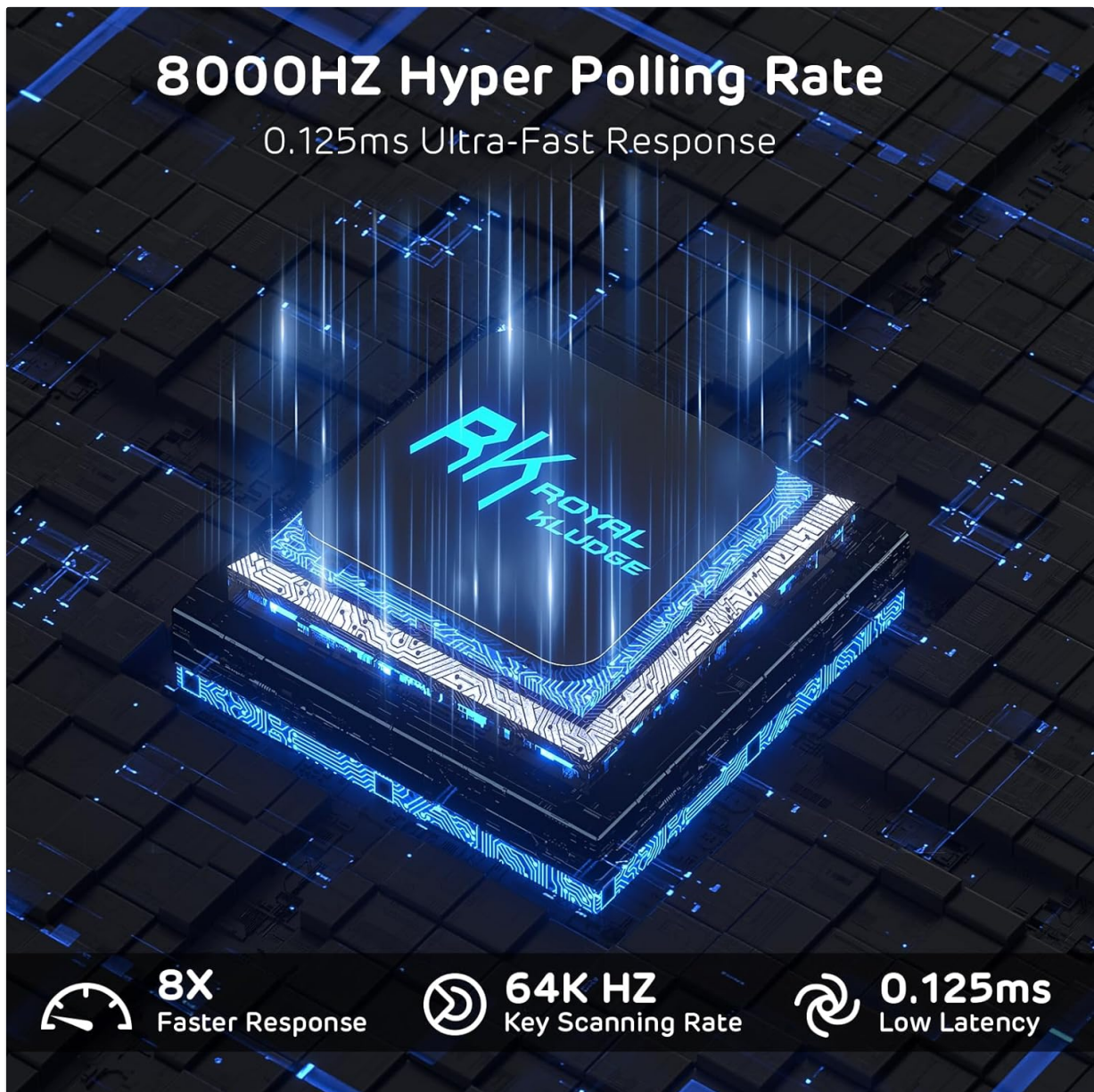


Image: Highlighting the 8000Hz Hyper Polling Rate and ultra-fast response.

Triple-Layer Sound Dampening System

For a smooth and satisfying typing experience, the C68 incorporates a triple-layer sound dampening system. This includes a thick EVA sound dampener, a sound-absorbing foam, and a bottom silicone pad, effectively reducing hollow sounds and cavity noise.

3 Sound-Absorbing Layers

Offer Smooth Typing Feel & Pure Typing Sound

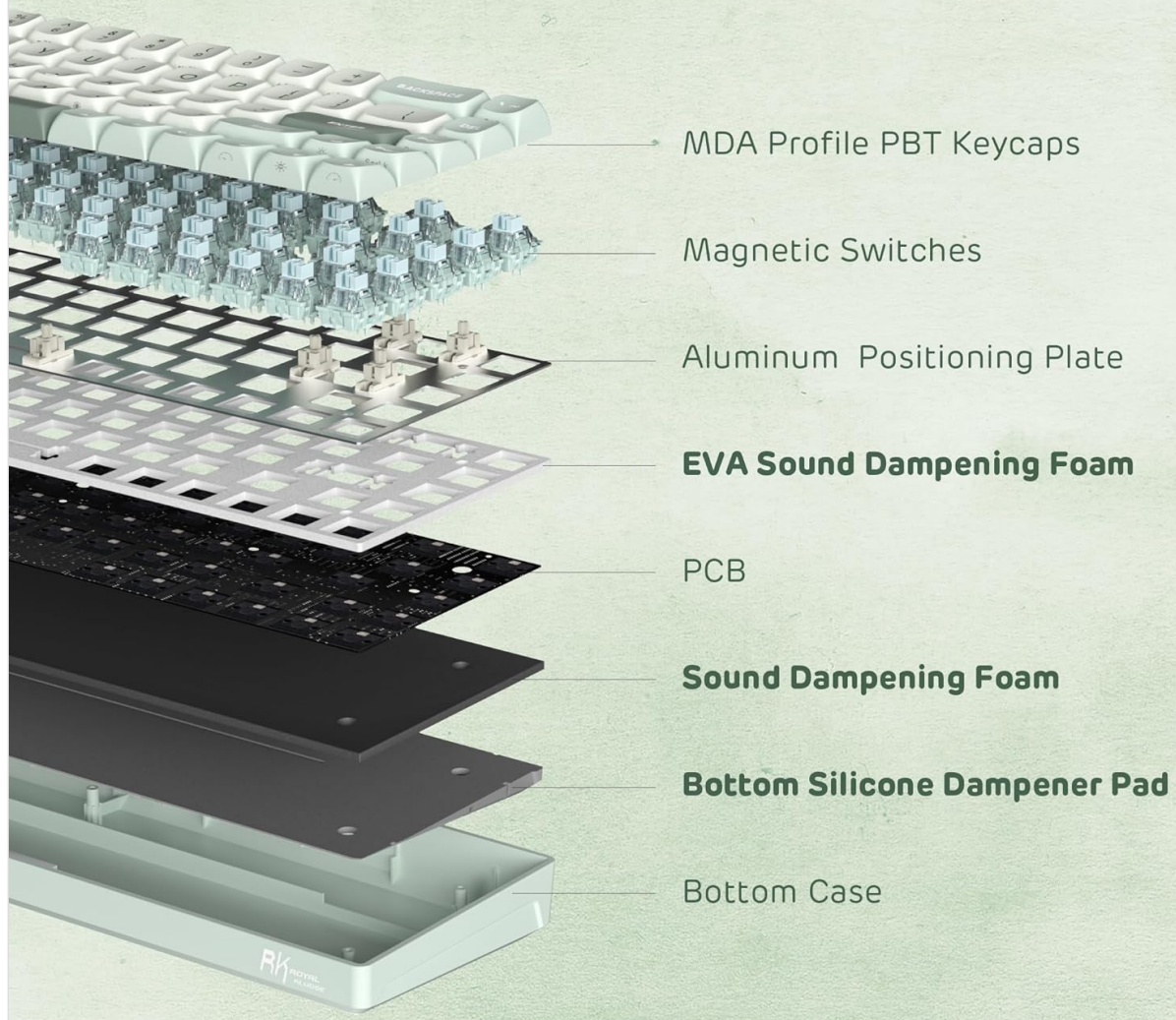


Image: Breakdown of the 3 sound-absorbing layers for enhanced typing acoustics.

65% Layout with PBT Keycaps & RGB Lighting

The compact 65% layout with 68 keys maximizes desk space while retaining essential arrow and function keys. The durable, oil-resistant MDA profile PBT keycaps resist shine and wear. The keyboard features over 20 vibrant south-facing RGB lighting effects, customizable to match your setup and enhance your environment.



Image: RGB lighting effects and control shortcuts.

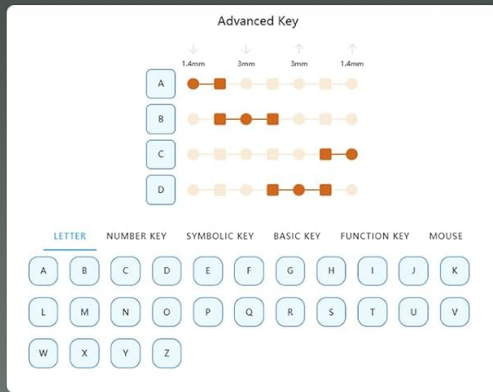
Advanced Magnetic Key Functions

The C68 offers several advanced functions for enhanced control in various game genres:

- **Dynamic Keystroke (DKS):** Trigger 2-4 functions based on different press levels of a single key. For example, a light press for walking and a full press for running in RPGs.
- **Multi-Tap (MT):** Execute multiple actions with a single key press, useful for complex combos in MOBA games.
- **Toggle (TGL):** Enable continuous triggering with a click, and press and hold to cancel, ideal for 'hold-to-sprint' actions in FPS games.
- **SOCD Cleaning:** Ensures flawless directional inputs, particularly beneficial in fighting games.

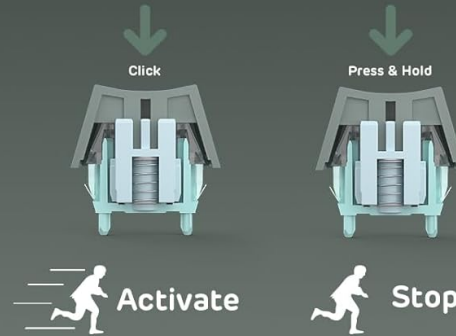
Advanced Magnetic Key Functions

DKS/ MPT/ MT/ TGL/ END/ SOCD/ MACRO



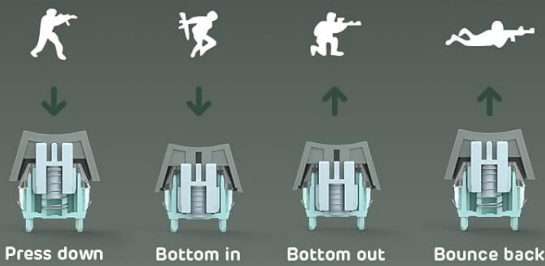
TGL (Toggle)

Click to enable continuous triggering, press and hold the key to cancel



DKS & MPT & MT

Trigger 2-4 functions based on different press levels



SOCD

Press the last key to release the previous key

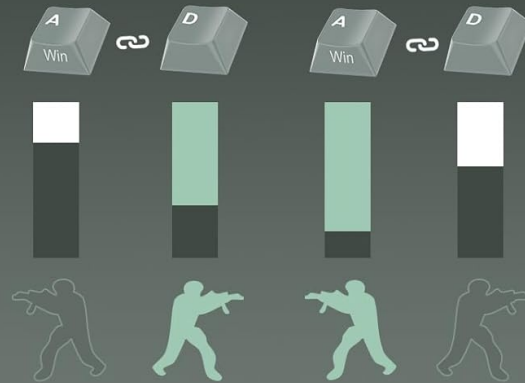


Image: Advanced magnetic key functions explained.

MAINTENANCE

Cleaning

- Use the provided dust cover when the keyboard is not in use to prevent dust accumulation.
- Gently wipe the keycaps and keyboard body with a soft, dry, lint-free cloth.
- For deeper cleaning, use the 2-in-1 keycap & switch puller to remove keycaps and clean underneath with compressed air or a small brush.

Switch & Keycap Replacement

The C68 features hot-swappable magnetic switches. Use the provided switch puller to carefully remove and replace switches if needed. Ensure replacement switches are compatible Hall Effect magnetic switches.

TROUBLESHOOTING

- **Keyboard not responding:** Ensure the USB-C cable is securely connected to both the keyboard and the computer. Try a different USB port or cable.

- **RGB lighting not working:** Check the keyboard's lighting controls (Fn + keys as indicated in the manual or on the keycaps) or use the web-based driver to adjust settings.
- **Inconsistent key presses:** Verify that the Hall Effect switches are properly seated. If issues persist, try replacing the affected switch with one of the backup switches.
- **Driver connection issues:** Ensure your internet connection is stable and try accessing the web driver from a different browser. Contact customer service if the issue persists.

SPECIFICATIONS

Feature	Detail
Brand	RK ROYAL KLUDGE
Model	C68
Connectivity Technology	USB-C (Wired)
Keyboard Description	Mechanical Keyboard with Magnetic Switch
Switch Type	Hall Effect Magnetic Switch
Adjustable Actuation	0.01mm to 3.5mm
Polling Rate	8000Hz
Key Scanning Frequency	64K Hz
Response Time	0.125ms
Number of Keys	68 (65% Layout)
Keycap Material	PBT
Keycap Profile	MDA Profile
Backlighting	RGB (South-facing, 20+ effects)
Sound Dampening	Triple-Layer (EVA, Sound-absorbing foam, Silicone pad)
Compatible Devices	Laptop, PC
Compatible Operating System Family	Windows, macOS
Material	Plastic

WARRANTY

The RK ROYAL KLUDGE C68 Hall Effect Mechanical Gaming Keyboard comes with a **1 Year Warranty**. Please retain your proof of purchase for warranty claims. For detailed terms and conditions, refer to the official RK ROYAL KLUDGE website or contact customer support.

SUPPORT

If you encounter any issues or have questions regarding your RK ROYAL KLUDGE C68 keyboard, please

contact RK ROYAL KLUDGE customer service. You can typically find contact information on the official brand website: [RK ROYAL KLUDGE Store](#).