

[Manuals.plus](#) /

> [ORYMUSE](#) /

> ORYMUSE 15 Inch Dual Zone Wine Cooler Instruction Manual

## ORYMUSE HXYC100B

# ORYMUSE 15 Inch Dual Zone Wine Cooler

MODEL: HXYC100B

### Important Safety Information

Please read all instructions carefully before using this appliance. Keep this manual for future reference.

- Ensure the appliance is properly grounded to prevent electrical shock.
- Do not operate the unit with a damaged power cord or plug.
- Allow the wine cooler to stand upright for at least 24 hours before connecting it to a power source. This allows the refrigerant fluids to settle.
- Ensure proper ventilation around the unit. Do not block any ventilation openings.
- This appliance is intended for household use only.

### Product Overview

The ORYMUSE 15 Inch Dual Zone Wine Cooler is designed to store red and white wines at their optimal temperatures. This versatile unit can be installed built-in under a counter or used as a freestanding appliance, offering flexible placement options for your home, kitchen, or office.

#### Key Features:

- **Dual Temperature Zones:** Separate zones for red (55-65°F) and white (40-55°F) wines.
- **Capacity:** Stores up to 30 standard Bordeaux bottles.
- **Design:** Stainless steel door with double-layered tempered glass for UV protection.
- **Cooling System:** High-efficiency, energy-saving compressor with front ventilation.
- **Control:** Intuitive smart control panel with digital temperature display.
- **Shelves:** 6 sliding wooden shelves.
- **Quiet Operation:** Operates at approximately 38dB.

- **Safety:** Equipped with a child safety lock.

## Unpacking and Installation

**Unpacking:** Carefully remove all packaging materials. Inspect the unit for any damage. It is crucial to allow the wine cooler to stand upright for at least 24 hours before connecting it to a power source. This allows the refrigerant fluids to settle properly, ensuring optimal performance.

**Placement:** This wine cooler features a front ventilation system, making it suitable for both built-in under-counter and freestanding installation. Ensure adequate space for air circulation around the unit, especially if freestanding.

**Dimensions:** The unit measures 14.96" (W) x 23.03" (D) x 33.46" (H).

**Leveling:** The unit is equipped with adjustable leveling feet to ensure stability on uneven surfaces. Adjust the feet by turning them clockwise or counter-clockwise until the unit is level.



Figure 1: ORYMUSE 15 Inch Dual Zone Wine Cooler illustrating temperature zones for various wine types and overall design.



Figure 2: This image demonstrates the flexible installation options (built-in or freestanding) and provides key dimensions for the wine cooler.

Your browser does not support the video tag.

Video 1: Official product video showcasing the BODEGA 15 Inch Dual Zone Wine Cooler's features and installation.

## Operating Instructions

**Control Panel:** The intuitive smart control panel, located inside the unit, allows for easy temperature adjustments and light control. It features separate digital displays for the upper and lower zones.

### Setting Temperatures:

- Use the 'Up' and 'Down' arrows next to each zone's display to adjust the desired temperature.
- The upper zone is ideal for white wines, with a recommended range of 40-55°F (5-13°C).
- The lower zone is suitable for red wines, with a recommended range of 55-65°F (13-18°C).

**LED Light:** Press the 'Light' button on the control panel to turn the soft blue interior LED lighting on or off. This enhances visibility and adds an aesthetic touch.

**Child Safety Lock:** For added security, the wine cooler is equipped with a child safety lock located at the bottom of the door. Use the provided key to lock or unlock the door, preventing unauthorized access to your wine collection.



Figure 3: Detailed view of the digital display and touch controls for setting temperatures and managing functions.



Figure 4: This image highlights the double-layered tempered glass door with UV protection, adjustable leveling feet, and the integrated child safety lock.

## Maintenance and Care

### Cleaning:

- Always unplug the appliance before cleaning.
- Clean the interior with a soft cloth and a mild, non-abrasive detergent.
- Wipe the exterior surfaces with a soft, damp cloth. Avoid harsh chemicals or abrasive cleaners.
- The wooden shelves can be removed for easier cleaning or to reconfigure the interior space.

**Defrosting:** The ORYMUSE wine cooler is equipped with a built-in automatic defrosting system. This system prevents ice buildup, eliminating the need for manual defrosting and ensuring consistent cooling performance.

**Power Outage Memory:** In the event of a power outage, the unit's smart control panel has a memory function that restores previous temperature settings once power is re-established.



### UNDERCOUNTER OR FREESTANDING 2-IN-1

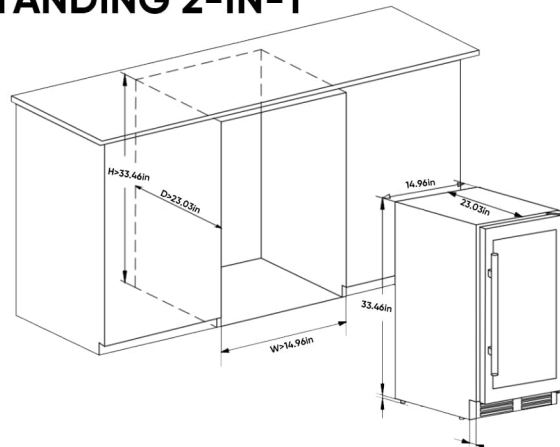


Figure 5: This diagram illustrates the internal air-cooled system and front ventilation design, crucial for efficient operation and flexible installation.

## Troubleshooting

If you experience any issues with your wine cooler, please refer to the common troubleshooting steps below before contacting customer support.

- **Unit Not Cooling:** Check if the power cord is securely plugged in. Ensure the unit has been upright for 24 hours before initial use. Verify that the temperature settings are correct.

- **Excessive Noise:** Ensure the unit is level using the adjustable feet. Check for any objects vibrating against the unit. The compressor will make some noise during operation, which is normal.
- **Temperature Fluctuations:** Avoid frequent door openings. Ensure the door seal is intact and the door is closing properly. Check for proper ventilation around the unit.
- **Door Not Closing Properly:** Check if shelves are properly inserted and not obstructing the door. Ensure the unit is level.

## Specifications

<b>Brand Name</b>	ORYMUSE
<b>Model Info</b>	HXYC100B
<b>Item Weight</b>	52 pounds
<b>Product Dimensions</b>	23.03 x 14.96 x 33.46 inches
<b>Capacity</b>	3.1 Cubic Feet (approx. 30 bottles)
<b>Annual Energy Consumption</b>	165 Kilowatt Hours Per Year
<b>Installation Type</b>	Built-In or Freestanding
<b>Special Features</b>	Compact, Front Ventilation, Low Noise, Quiet
<b>Color</b>	Stainless Steel
<b>Voltage</b>	115 Volts (AC)
<b>Shelves</b>	6 (Wooden)
<b>Defrost System</b>	Frost Free (Automatic)
<b>Certification</b>	DOE, ETL

## Warranty and Support

This ORYMUSE wine cooler comes with 12 months of technical support. If you experience any issues or have questions regarding your appliance, please contact our dedicated customer support team for assistance.