



[Manuals.plus](#) /

› [SWTYMIKI](#) /

› [SWTYMIKI Bakers Rack with Storage - Espresso Coffee Station with Hanging Rack \(Model ZWJ244\) User Manual](#)

## SWTYMIKI ZWJ244

# SWTYMIKI Bakers Rack with Storage - Espresso Coffee Station with Hanging Rack (Model ZWJ244) User Manual

Tidy Home Sweet Life

## 1. INTRODUCTION

Thank you for choosing the SWTYMIKI Bakers Rack with Storage. This versatile unit is designed to enhance your kitchen, dining room, or any living space by providing organized storage and a functional surface. It features multiple shelves, a closed cabinet, and convenient hooks, making it ideal for use as a coffee station, microwave stand, or general storage organizer. This manual provides essential information for safe assembly, operation, maintenance, and troubleshooting.



Figure 1: SWTYMIKI Bakers Rack with Storage, Espresso Coffee Station with Hanging Rack

## 2. SAFETY INSTRUCTIONS

Please read and understand all safety instructions before assembling or using this product. Failure to follow these instructions may result in injury or damage to the product.

- **Ensure the cabinet is level and stable before use.** Adjust the feet as necessary to prevent wobbling.
- Keep the cabinet clear of obstructions to prevent accidents.
- Follow assembly instructions carefully to avoid injury.
- Do not overload shelves. Refer to specifications for weight limits if available.
- Keep small children and pets away from the unit during assembly.
- Avoid placing hot items directly on wooden surfaces without protective mats.

## 3. PACKAGE CONTENTS

Verify that all components are present and undamaged before beginning assembly. If any parts are missing or damaged, please contact customer support.

The package typically includes:

- Metal frame components
- Wooden shelves and cabinet door
- Mesh panels
- 8 S-hooks
- Adjustable feet
- Assembly hardware (screws, Allen wrench, etc.)
- Instruction manual

## 4. ASSEMBLY INSTRUCTIONS

---

Assembly is required for this product. Please follow the steps below and refer to the included assembly video for visual guidance. It is recommended to assemble the unit on a soft, clean surface to prevent scratches.

1. **Unpack and Identify Parts:** Lay out all components and hardware. Match them with the parts list in the manual.
2. **Assemble the Base Frame:** Connect the lower metal frame sections using the provided screws and Allen wrench. Ensure all connections are secure.
3. **Attach Mesh Panels and Wooden Base:** Secure the mesh panels and the bottom wooden shelf to the assembled base frame.
4. **Install Cabinet Door:** Attach the magnetic closure and hinges to the cabinet door (P) and the corresponding frame section. Secure the door handle.
5. **Build Upper Frame:** Connect the vertical metal rods (R, S) to the lower frame, forming the taller sections of the rack.
6. **Place Top Shelves:** Position and secure the main wooden countertops (M, N) onto the upper frame.
7. **Attach Hanging Rack:** Install the top hanging rack (T) and insert the S-hooks for mugs or utensils.
8. **Adjust Feet:** Once fully assembled, adjust the leveling feet at the bottom of the rack to ensure stability on uneven surfaces.

For a detailed visual guide, please watch the official assembly video:

Your browser does not support the video tag. This video demonstrates the step-by-step assembly process for the SWTYMIKI Bakers Rack with Storage.

Video 1: SWTYMIKI Bakers Rack Assembly Guide

## 5. USAGE

---

The SWTYMIKI Bakers Rack is designed for multifunctional use, offering flexible storage and display options.

### 5.1 Coffee Station Setup

Utilize the spacious countertop for your coffee machine, grinders, and other accessories. The upper rack with 8 S-hooks is perfect for hanging coffee mugs, keeping them easily accessible. The mesh cabinet below can store coffee pods, tea boxes, or other items you prefer to keep out of sight.

# Coffee & Tea



COFFEE

Figure 2: Coffee Station Configuration

## 5.2 Kitchen Storage

This rack serves as an excellent microwave stand, freeing up valuable counter space. The various shelves can hold small appliances like air fryers, toasters, or crock pots, as well as cookbooks, spices, and other kitchen essentials. The closed cabinet provides discreet storage for items you wish to conceal.



Figure 3: Kitchen Storage Application

### 5.3 General Storage and Display

Beyond the kitchen, the rack can be used in dining rooms for serving, in living rooms for displaying decor, or even on a balcony for potted plants. The magnetic closure on the cabinet door ensures items are securely stored, while the adjustable feet provide stability on various floor types.

# Living Room



Figure 4: Living Room Display

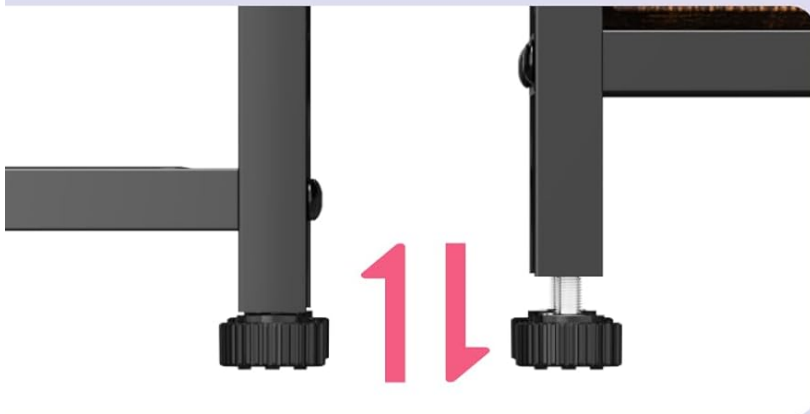


### Waterproof Vintage Desktop

Coffee table provides easy cleaning with a waterproof and smooth panel.

### Magnetic Holder & Perspective Window

Stainless steel magnetic, opening and closing simply and allows for a clear view of the stored items.



### Adjustable Pads

It is possible to adjust the height of the shelf to a certain extent and protect it.

Figure 5: Key Features: Waterproof Desktop, Magnetic Cabinet, Adjustable Feet

## 6. MAINTENANCE

Proper care will ensure the longevity and appearance of your bakers rack.

- **Cleaning:** Wipe surfaces with a soft, damp cloth. Avoid harsh chemicals or abrasive cleaners that may damage the finish.
- **Spills:** Promptly clean any spills to prevent staining, especially on the wooden surfaces. The desktop is waterproof for easy cleaning.
- **Hardware:** Periodically check all screws and connections to ensure they remain tight. Retighten if necessary.
- **Adjustable Feet:** Re-adjust the leveling feet if the unit becomes unstable or if moved to a new location.

## 7. TROUBLESHOOTING

If you encounter any issues with your SWTYMIKI Bakers Rack, refer to the following common problems and solutions:

Problem	Possible Cause	Solution
Unit is wobbly or unstable.	Uneven floor surface; loose adjustable feet.	Adjust the leveling feet at the bottom of the rack until the unit is stable. Ensure all assembly screws are tightened.
Difficulty during assembly.	Incorrect orientation of parts; screws not aligned.	Review the assembly instructions and video carefully. Ensure parts are oriented correctly before tightening screws. Do not overtighten until all parts are loosely fitted.
Hooks for mugs do not hang straight.	Design variation in hook placement.	This may be a design characteristic. Try different hooks or adjust the placement of mugs if possible.
Cabinet door does not close properly.	Misaligned hinges or magnetic catch.	Check the alignment of the hinges and the magnetic catch. Adjust screws on hinges or reposition the magnetic catch if necessary.

## 8. SPECIFICATIONS

Feature	Detail
Brand	SWTYMIKI
Model Name	ZWJ244
Color	Espresso
Product Dimensions	11.81"D x 27.56"W x 54.92"H (30cm D x 70cm W x 139.5cm H)
Material	Iron, Wood
Item Weight	19.52 pounds
Number of Shelves	3
Special Feature	Dustproof (cabinet), Adjustable Feet
Assembly Required	Yes

UNIT: CM

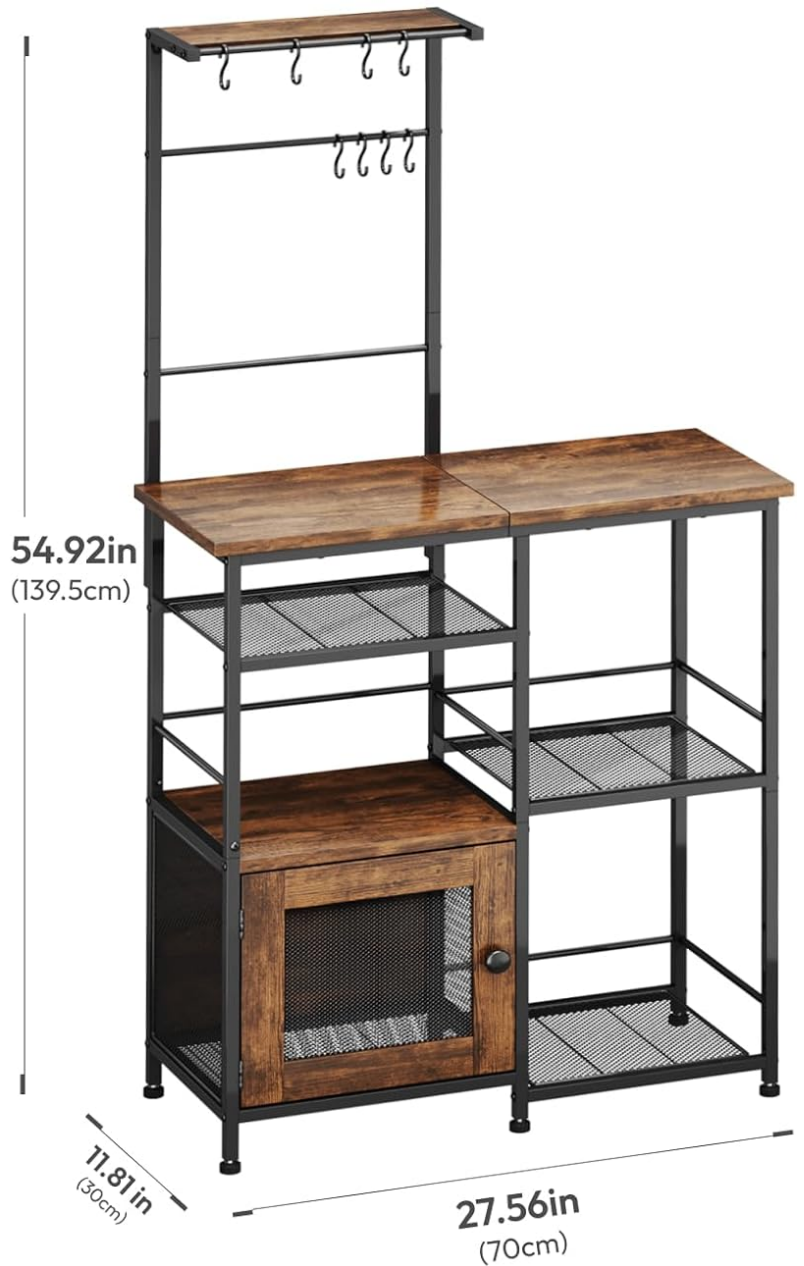
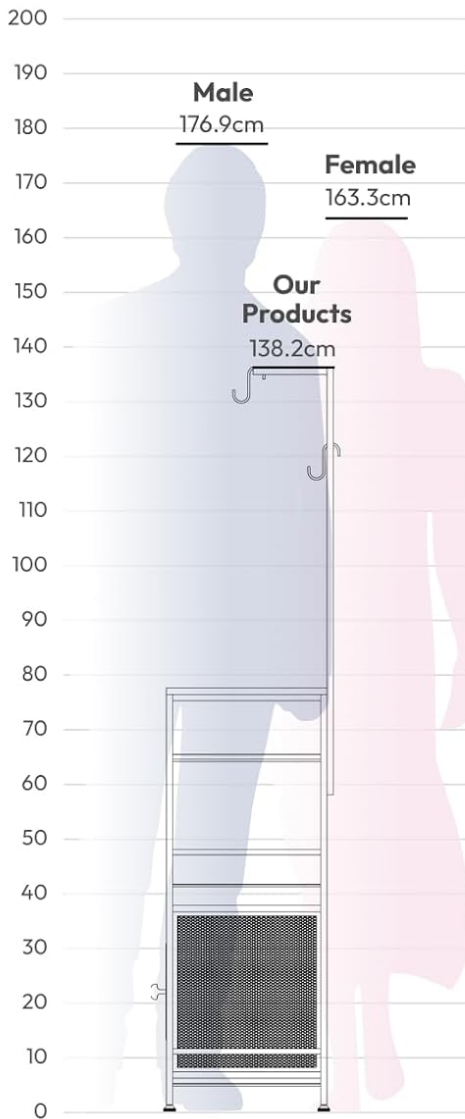


Figure 6: Product Dimensions

## 9. WARRANTY AND SUPPORT

For warranty information, product support, or to report missing/damaged parts, please contact the manufacturer directly. You can reach SWTYMIKI customer service through their official channels or the retailer where the product was purchased.

Seller: SWTY HOME US

