

## Casaottima B01011504

# Casaottima L Shaped Computer Desk User Manual

Model: B01011504 | Brand: Casaottima

## INTRODUCTION

---

Thank you for choosing the Casaottima L Shaped Computer Desk. This manual provides essential information for the proper assembly, use, and maintenance of your new desk. Please read these instructions carefully before beginning assembly and retain them for future reference. This desk is designed to offer a versatile and spacious workspace for various activities, including computing, gaming, and studying.

## PACKAGE CONTENTS

---

Before assembly, please verify that all components listed below are present and undamaged. All parts are clearly labeled to facilitate the assembly process.

- Desk panels (main desktop, side desktop, shelves)
- Metal frame components
- Hardware kit (screws, bolts, nuts, Allen wrench)
- Adjustable leg pads
- Headphone hook
- Assembly instructions manual

## ASSEMBLY INSTRUCTIONS

---

Assembly of the Casaottima L Shaped Computer Desk is designed to be straightforward. It is recommended to assemble the desk on a soft, clean surface to prevent scratches. Two people may make the assembly process easier.

1. **Unpack and Identify Parts:** Carefully unpack all components and lay them out. Refer to the parts list in your included instruction manual to identify each piece.
2. **Assemble the Main Frame:** Begin by connecting the main metal frame components according to the diagrams in your manual. Ensure all connections are secure but do not fully tighten screws until instructed.
3. **Attach Desktop Panels:** Secure the main desktop and side desktop panels to the assembled frame. Note that the L-shape is reversible, allowing you to configure the shelves on either the left or right side to suit your space and preference.

4. **Install Storage Shelves and PC Stand:** Attach the two-tier open shelves and the dedicated PC stand. These provide ample space for books, files, and your computer tower.
5. **Install Adjustable Leg Pads:** Screw the adjustable non-slip foot pads into the bottom of the desk legs. These pads help protect your floor and ensure stability on uneven surfaces.
6. **Attach Headphone Hook:** Secure the headphone hook to the designated location on the desk frame.
7. **Final Tightening:** Once all components are in place and aligned, systematically tighten all screws and bolts. Do not overtighten to avoid damaging the materials.

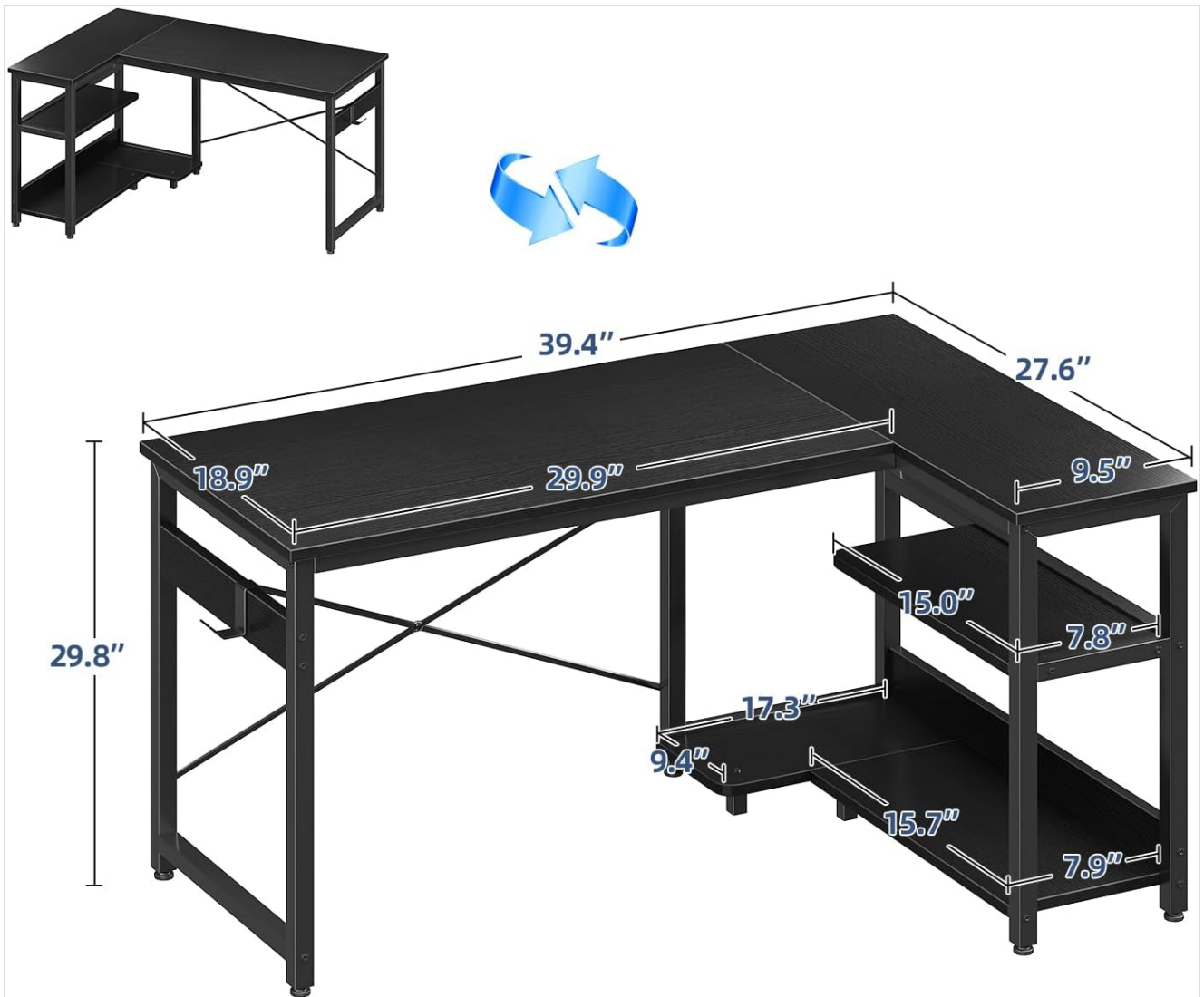


Figure 1: Desk Dimensions and Reversible Configuration.



Figure 2: Overall Desk View with Reversible Option.

## FEATURES AND USAGE

The Casaottima L Shaped Computer Desk is designed with user convenience and functionality in mind.

- **Reversible L-Shape Design:** The desk's L-shaped configuration can be customized during assembly, allowing the storage shelves to be positioned on either the left or right side, maximizing space in any corner.
- **Ample Desktop Space:** With a main desktop size of 48"L x 18.9"D, the desk provides generous surface area for multiple monitors, laptops, and other office essentials.
- **Integrated Storage:** Two open shelves and a dedicated PC stand offer convenient storage for your computer tower, books, files, and other accessories, keeping your workspace organized.
- **Headphone Hook:** A built-in iron hook provides a dedicated spot to hang your headphones or bag, keeping them easily accessible and off the desktop.
- **Adjustable Leg Pads:** The desk features adjustable non-slip foot pads that ensure stability on various floor types and protect your flooring from scratches.



*Figure 3: Desk in a Home Office Environment.*

# Why Choose Ours?



**Ours**



**Others**

Figure 4: Comparison of Storage Space.

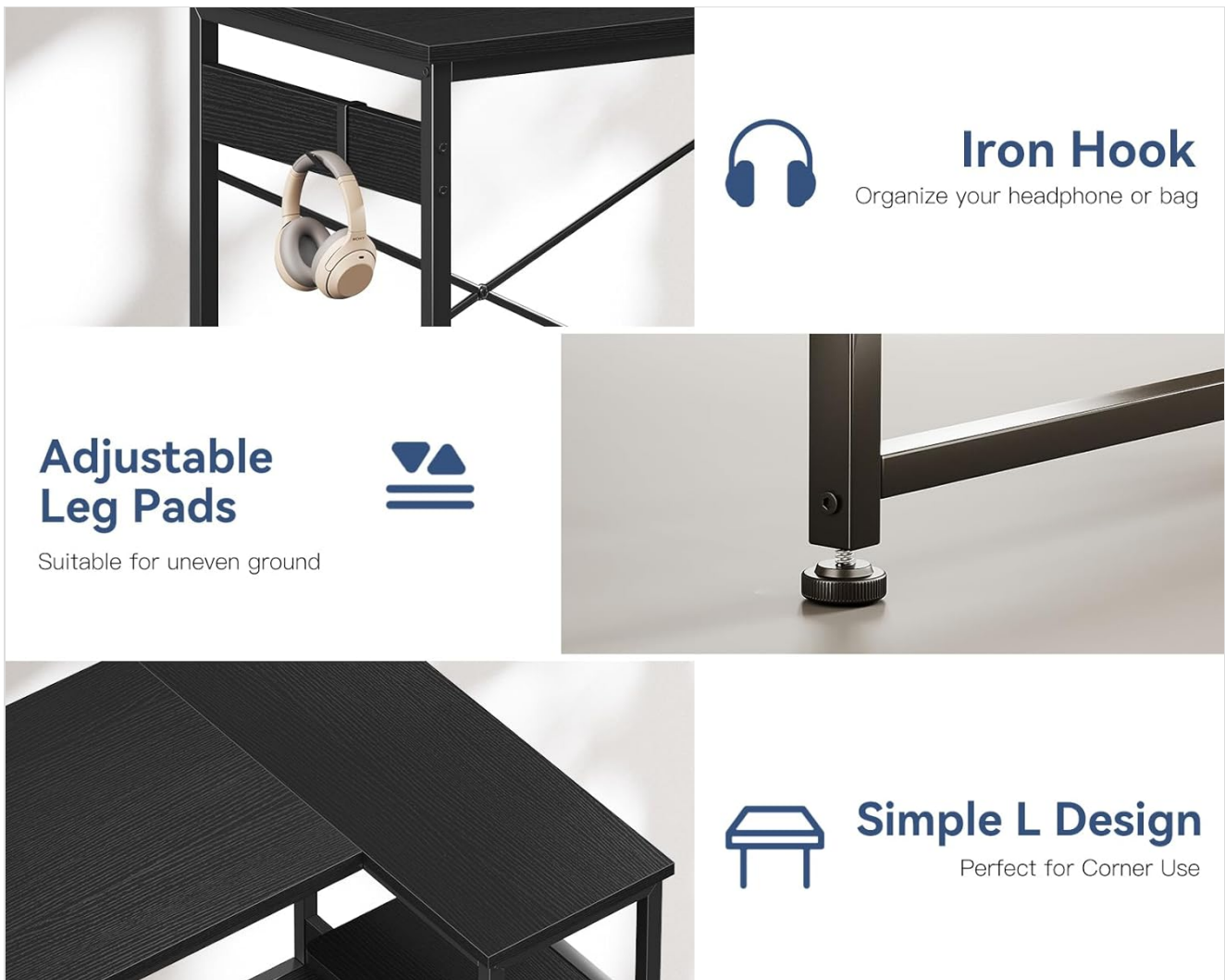


Figure 5: Detailed Features (Headphone Hook, Adjustable Pads).

## CARE AND MAINTENANCE

To ensure the longevity and appearance of your Casaottima L Shaped Computer Desk, follow these care guidelines:

- **Cleaning:** Wipe the desk surfaces with a soft, damp cloth. Avoid using harsh chemicals or abrasive cleaners, as they may damage the finish.
- **Spills:** Promptly wipe up any spills to prevent water damage or staining, especially given the desk's water-resistant properties.
- **Protection:** While the desk is scratch-resistant, using coasters for drinks and mouse pads for computer mice can further protect the surface from wear and tear.
- **Weight Distribution:** Distribute weight evenly across the desktop and shelves. Avoid placing excessively heavy items in one concentrated area.
- **Environmental Conditions:** Avoid exposing the desk to extreme temperatures or direct sunlight for prolonged periods, as this may cause material degradation.

## TROUBLESHOOTING

If you encounter any issues with your Casaottima L Shaped Computer Desk, refer to the following common solutions:

- **Desk Wobbles:** Ensure all screws and bolts are securely tightened. Use the adjustable leg pads to level the desk on uneven flooring. Rotate the pads until the desk is stable.
- **Missing or Damaged Parts:** If any parts are missing, damaged, or scratched upon arrival, please do not proceed with assembly. Contact Casaottima customer support immediately for assistance.

- **Assembly Difficulties:** Double-check the assembly diagrams in the included manual. Ensure that components are oriented correctly. If a screw hole does not align perfectly, gently adjust the position of the connected parts before tightening.

## PRODUCT SPECIFICATIONS

Feature	Specification
Brand	Casaottima
Model Number	B01011504
Product Dimensions (D x W x H)	31.5"D x 47.24"W x 29.5"H
Color	Black
Style	Modern
Base Material	Metal
Top Material Type	Engineered Wood
Finish Type	Powder Coated
Special Feature	L shaped, Reversible Configuration
Recommended Uses	Gaming, Home Office, Study
Mounting Type	Freestanding
Included Components	Headphone Hook
Assembly Required	Yes (Includes all assembly tools)

## WARRANTY INFORMATION

The Casaottima L Shaped Computer Desk comes with a **Limited Warranty**. For specific details regarding the terms and conditions of your warranty, including coverage and duration, please refer to the warranty card included with your product or contact Casaottima customer support.

## CUSTOMER SUPPORT

Should you have any questions, require assistance with assembly, or need to report missing/damaged parts, our professional customer support team is available to help. Please contact us through the vendor's platform or the contact information provided in your product packaging. We aim to resolve any issues within 24 hours.