



Manuals.plus /

- › **ORRD** /
- › ORRD 3-in-1 Lift Top Coffee Table Instruction Manual (Model B0FDQVVKJC)

ORRD B0FDQVVKJC

ORRD 3-in-1 Lift Top Coffee Table Instruction Manual

Model: B0FDQVVKJC

1. INTRODUCTION

Thank you for choosing the ORRD 3-in-1 Lift Top Coffee Table. This versatile furniture piece is designed to function as a coffee table, a raised work desk, or a dining table, offering practical storage solutions for various living spaces. This manual provides essential information for safe assembly, proper operation, and effective maintenance of your new table.



Image 1.1: The ORRD 3-in-1 Lift Top Coffee Table in a living room, showcasing its lift-top functionality and integrated storage.

2. IMPORTANT SAFETY INFORMATION

Please read and understand all safety instructions before assembly and use. Failure to follow these instructions may result in injury or product damage.

- **Weight Limits:** Do not exceed the recommended weight limits for the tabletop or internal storage compartments. Refer to the Specifications section for details.
- **Stability:** Ensure the table is placed on a flat, stable surface. Avoid dragging the table, especially when loaded, as this may compromise the leg attachments.
- **Lifting Mechanism:** Exercise caution when operating the lift-top mechanism. Keep hands and fingers clear of moving parts to prevent pinching or injury. Operate the lift-top smoothly and avoid sudden movements.
- **Children and Pets:** Keep children and pets away from the table during assembly and operation of the lift-top mechanism.
- **Sharp Objects:** Avoid placing sharp or heavy objects directly on the table surface without protection to prevent scratches or damage.

- **Assembly:** Follow all assembly steps precisely. Ensure all fasteners are securely tightened before use.

3. PACKAGE CONTENTS

Before beginning assembly, verify that all components are present and undamaged. If any parts are missing or damaged, please contact customer support.

The main frame of the table is pre-installed. You will primarily need to assemble the legs and tabletops.

- Main Table Body (Pre-assembled)
- Table Legs (4x)
- Lift-Top Panels (2x)
- Hydraulic Support Rods (Pre-installed on panels or separate)
- Hardware Pack (Screws, washers, Allen wrench, etc.)



Smooth Lifting Structure



Curved Table Corner



Fluted Panel

Image 3.1: Illustration of the main components requiring assembly.

4. ASSEMBLY INSTRUCTIONS

Partial assembly is required. It is recommended to have two people for certain steps to ensure stability and ease of assembly. A screwdriver is recommended for assembly.

1. Step 1: Attach the Legs

Carefully place the main table body upside down on a soft, clean surface to prevent scratches. Align each of the four table legs with the pre-drilled holes on the underside of the main body. Secure each leg using the provided screws and tighten them firmly with a screwdriver. Ensure all legs are stable.

2. Step 2: Install Hydraulic Support Rods (if separate)

If the hydraulic support rods are not pre-attached to the lift-top panels, follow the diagram to secure them to the designated points on the underside of the panels using the provided hardware. Pay attention to the 'Right' and 'Left' markings if present.

3. Step 3: Attach the Lift-Top Panels

With the main table body right-side up, carefully align the lift-top panels with the pre-installed hinges or attachment points on the main body. Secure the panels using the remaining screws. Ensure the small panel is raised first during this process, as indicated in the diagram. Test the lifting mechanism gently after attachment to confirm smooth operation.



Image 4.1: Step-by-step assembly guide for the ORRD 3-in-1 Lift Top Coffee Table.

5. OPERATING INSTRUCTIONS

The ORRD 3-in-1 Lift Top Coffee Table offers multiple configurations for various uses.

5.1. Coffee Table Mode

In its standard configuration, both lift-top panels are lowered, providing a traditional coffee table surface. The hidden compartments beneath remain accessible by lifting the panels.

5.2. Lift-Top Work Desk Mode

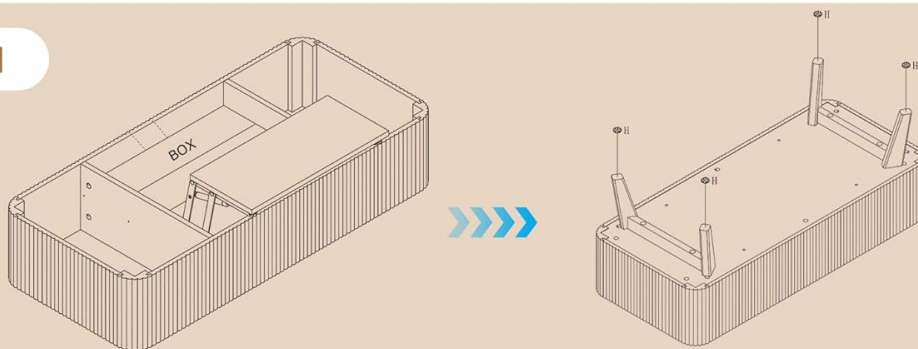
To convert to a work desk, gently lift one of the tabletop panels. The hydraulic support rod will assist in raising and holding the panel at an elevated height, suitable for working with a laptop or enjoying a meal.

5.3. Dining Table Mode

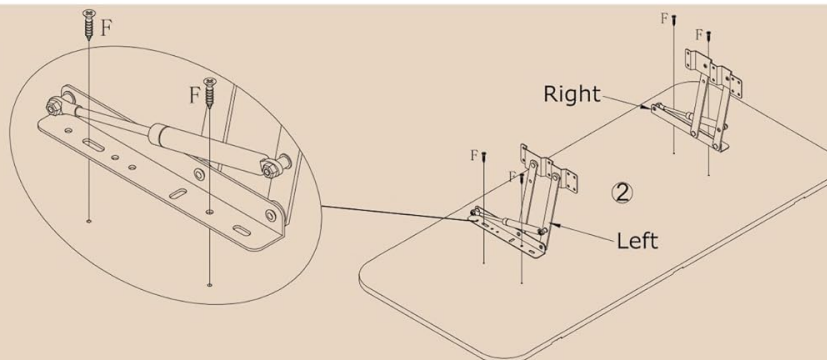
For a larger surface, both lift-top panels can be raised. This creates an extended tabletop suitable for dining or larger work projects. The central small table also lifts to provide additional accessible storage or a convenient surface.

Only Some Parts Need to Be Assembled

STEP 1



STEP 2



STEP 3

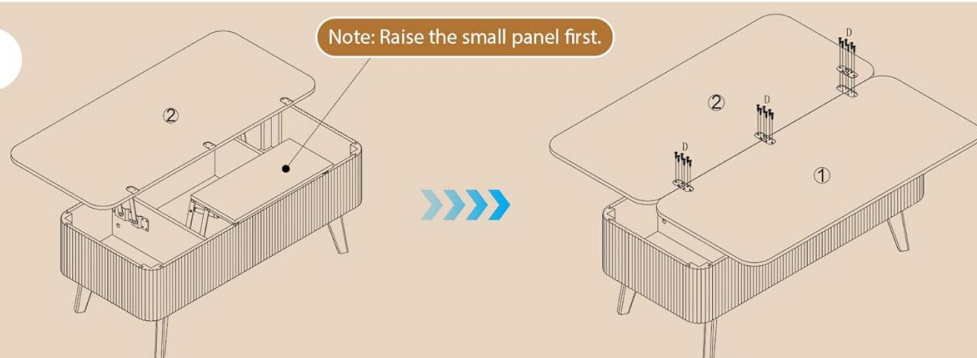


Image 5.1: Visual guide to the table's various configurations: Coffee Table, One Side Lift-top Work Desk, Two Side Lift Top with Small Table, and Dining Table.

5.4. Storage Access

The table features three hidden compartments beneath the lift-top panels. To access, simply lift the corresponding panel. These compartments are ideal for storing books, remote controls, small electronics, or other items to keep your space organized.



Image 5.2: Details of the smooth lifting mechanism and design features.

6. MAINTENANCE

Proper care will extend the life and appearance of your ORRD coffee table.

- **Cleaning:** Wipe surfaces with a soft, damp cloth. Avoid harsh chemicals or abrasive cleaners, which can damage the finish.
- **Spills:** Clean spills immediately to prevent staining, especially on the wood veneer surfaces.
- **Heat and Moisture:** Use coasters and placemats to protect the surface from hot items and moisture.
- **Fasteners:** Periodically check all screws and fasteners to ensure they remain tight. Retighten as necessary.
- **Moving the Table:** When moving the table, lift it rather than dragging it to prevent stress on the legs and

frame.

7. TROUBLESHOOTING

If you encounter issues with your table, refer to the following common problems and solutions:

Problem	Possible Cause	Solution
Tabletop feels wobbly when lifted.	Loose fasteners on the lift mechanism or legs.	Check and tighten all screws and bolts on the lift mechanism and table legs. Ensure the table is on a level surface.
Lift-top mechanism is stiff or difficult to operate.	Mechanism may need lubrication or adjustment.	Apply a small amount of silicone-based lubricant to the moving parts of the hydraulic rods and hinges. Operate the mechanism several times to distribute the lubricant. If issues persist, contact customer support.
Table does not sit level.	Uneven floor or improperly installed legs.	Ensure the table is on a flat surface. Check that all legs are securely and evenly tightened. Use furniture pads or shims if necessary to level the table on uneven floors.
Pilot holes not aligning during assembly.	Component misalignment.	Double-check the orientation of the components. Loosen adjacent screws slightly to allow for minor adjustments, then retighten all screws once aligned. Do not force components.

8. SPECIFICATIONS

Feature	Detail
Brand	ORRD
Model Number	B0FDQVVKJC
Product Dimensions (D x W x H)	16.69" x 42.91" x 17.72"
Color	Natural
Shape	Oval
Frame Material	Wood
Top Material	Engineered Wood
Assembly Required	Partial Assembly
Tools Recommended	Screwdriver
Indoor/Outdoor Usage	Indoor

●●● Product Dimension



Image 8.1: Detailed product dimensions.

9. WARRANTY AND SUPPORT

ORRD provides a 1-year warranty for this product, covering manufacturing defects. This warranty does not cover damage resulting from improper assembly, misuse, accidents, or normal wear and tear.

For warranty claims, missing parts, or technical support, please contact ORRD customer service through the retailer where the product was purchased. Please have your model number (B0FDQVVKJC) and purchase date available when contacting support.