

[Manuals.plus](#) /

> [ovios](#) /

> ovios 75" Oversized Sectional Double Lounge Chaise with Cloud Plush Sofa Bed Instruction Manual

ovios Cloud Sectional Couch 101

ovios 75" Oversized Sectional Double Lounge Chaise with Cloud Plush Sofa Bed Instruction Manual

Model: Cloud Sectional Couch 101

1. PRODUCT OVERVIEW

The ovios 75" Oversized Sectional Double Lounge Chaise with Cloud Plush Sofa Bed is designed for versatile comfort and relaxation. This modular furniture piece features a deep seat design, plush corduroy fabric, and requires no complex assembly.

Key Features:

- **Modular Design:** Allows for flexible configuration to suit various living spaces and needs.
- **Comfortable Seating:** Features 67-inch deep seat lounge chairs with high-resilience foam and spiral springs for enhanced comfort.
- **No Assembly Required:** Simplifies setup; components expand to full shape after unboxing.
- **Plush Corduroy Fabric:** Soft, warm, breathable, and pill-resistant material for a luxurious feel.
- **Oversized Design:** Provides ample space for lounging, reading, or napping.

2. SETUP INSTRUCTIONS

This ovios sectional sofa is designed for minimal setup. No tools or complex assembly steps are required.

1. **Unpack Components:** Carefully remove all parts from their packaging. The product is typically shipped in two parcels, which may arrive separately.
2. **Allow for Expansion:** Due to vacuum compression during shipment, the fabric may have wrinkles, and the foam components will need time to expand. Lightly tap each segment to help boost its springiness and fluffiness.
3. **Full Revival:** Complete expansion and revival of the sofa's shape may take anywhere from 72 hours to a week. Please be patient during this process.

Wide Armrest

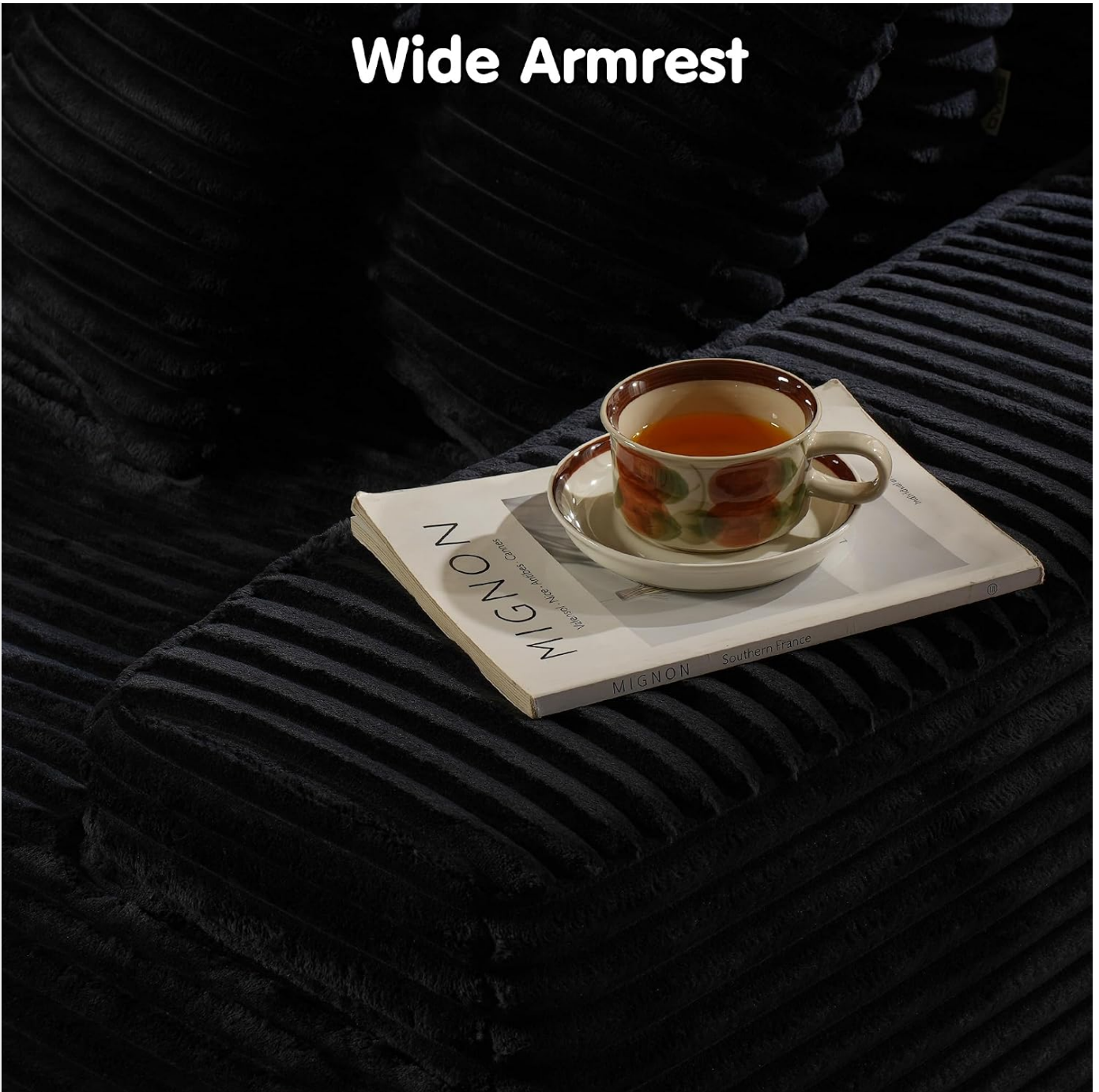


Image: Setup process showing the sofa components expanding from vacuum-sealed packaging.

No Assembly Required

Vacuum Packaging: Takes 3-7 days to fully expand



Image: Visual representation of the sofa expanding after unboxing, highlighting the "No Assembly Required" feature.

Your browser does not support the video tag.

Video: A user unboxing and setting up the ovios sofa, demonstrating the "No Assembly Required" feature and the expansion process.

3. OPERATING INSTRUCTIONS

The ovios sectional double lounge chaise is designed for versatile use and comfort. Its modular nature allows for various configurations to suit your preferences.

Using the Modular Components:

- The double lounge chaise consists of modular segments that can be arranged together to form a large sectional sofa or separated for individual use.
- Position the segments to create your desired layout, whether it's a continuous lounge area or separate seating units.

Comfort and Relaxation:

- Utilize the deep seats and plush cushions for maximum comfort while sitting, lounging, or reclining.
- The oversized design accommodates various activities such as reading, watching television, or simply relaxing.
- The sofa can also function as a comfortable sleeper bed due to its spacious and soft construction.

No Assembly Required

 Shipped in 2 Packages



Image: Demonstrates the multi-functional use of the sofa for various activities.

Better Backrest Support



Image: A person enjoying the deep seat and backrest support of the ovios sofa.

Your browser does not support the video tag.

Video: A demonstration of lounging in style on the plush sectional sofa.

4. MAINTENANCE

Proper care will help maintain the appearance and longevity of your ovios sectional sofa.

- **Cleaning:** Clean the corduroy fabric with a soft brush to remove dust and debris. For spills, wipe clean with a dry cloth. Avoid harsh chemicals or abrasive cleaners.
- **Fluffing:** Regularly pat and fluff the cushions and backrests to maintain their shape and comfort, especially during the initial expansion period.

Slap to Make it Rebound Better and Fluffy



01

Due to package compression for better shipment, the fabric may have wrinkles, these wrinkles will gradually disappear.



02

Please be patient and wait for the couch to return to its fluffystate, which will take anywhere from 72 hours to a week.



Image: Instructions on how to pat the sofa to help it rebound and become fluffy.

5. TROUBLESHOOTING

If you encounter any issues with your ovios sectional sofa, please refer to the following common solutions:

- **Wrinkles in Fabric:** Minor wrinkles are normal due to vacuum packaging. These should gradually disappear within 72 hours to a week as the foam fully expands. Gentle patting can assist this process.
- **Incomplete Expansion:** Ensure sufficient time (up to a week) has passed for the foam to fully expand. Regularly fluffing and patting the cushions can help.
- **Sofa Sliding:** If the modular pieces tend to slide apart, consider using non-slip pads or furniture connectors (not included) between the segments to secure them.

6. SPECIFICATIONS

Feature	Detail
Brand	ovios
Model Number	Cloud Sectional Couch 101
Type	Sectional Double Lounge Chaise
Color	Black (Plush Corduroy Fabric)
Product Dimensions (D x W x H)	61.8"D x 74.8"W x 24.4"H
Item Weight	86 Pounds
Weight Limit	1000 Pounds
Seating Capacity	2
Seat Depth	25.6 inches
Seat Height	16.5 Inches
Reclined Length	67 Inches

Feature	Detail
Assembly Required	No
Material Type	Foam, Cotton (Fill)
Upholstery Material	Plush Corduroy Fabric
Item Firmness Description	Medium
Product Care Instructions	Clean With Soft Brush, Wipe Clean with Dry Cloth

Product Dimension

(Manual Measurement, Please Allow $\pm 0.4''$ - $0.8''$ Error.)

1200 LBS
WEIGHT CAPACITY

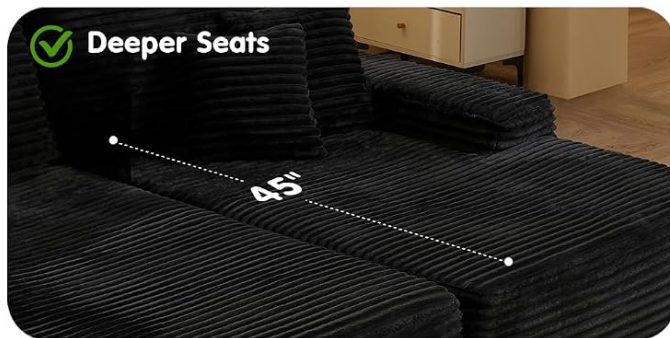


Tip: Delivered in 2 parcels, may not arrive at the same time. Please be patient and wait for all your parcels to be delivered.

Image: Product dimensions diagram for the ovios sectional sofa.

WHY CHOOSE US?

OURS



OTHERS

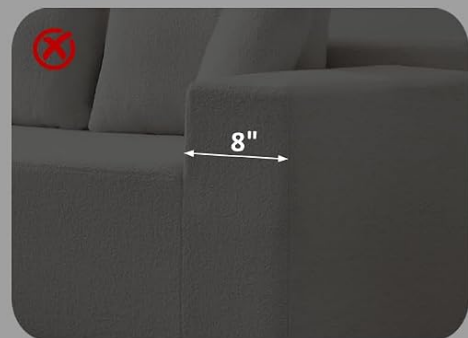
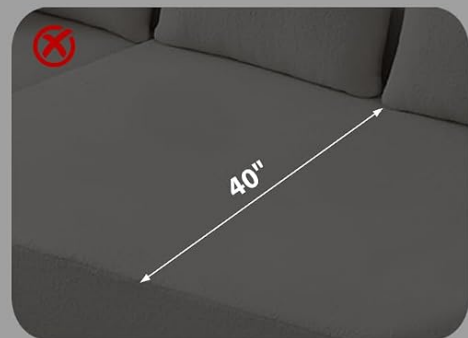
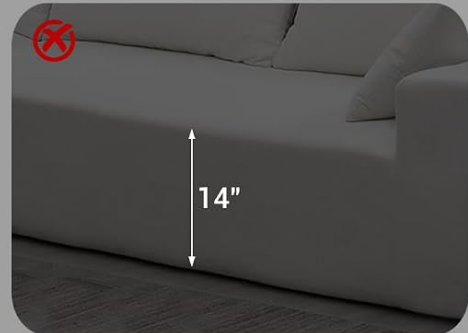


Image: Comparison of ovios sofa features like seat height, depth, and armrest width.

7. WARRANTY AND SUPPORT

The ovios 75" Oversized Sectional Double Lounge Chaise comes with a **Limited Warranty**.

For specific details regarding your warranty coverage, please refer to the documentation included with your purchase or contact ovios customer support.

Customer Support: For any questions, concerns, or assistance, please contact the seller, OVIOS, directly through your purchase platform or visit the official ovios store for contact information.

Seller: [OVIOS](#)



