

Manuals+

[Q & A](#) | [Deep Search](#) | [Upload](#)

Manuals.plus /

- › [Garvee](#) /
- › Garvee 6-Drawer Dresser User Manual - Model PHO_33HYBRGK9H

Garvee PHO_33HYBRGK9H

Garvee 6-Drawer Dresser User Manual

Model: PHO_33HYBRGK9H

1. PRODUCT OVERVIEW

The Garvee 6-Drawer Dresser is designed to provide ample storage with a modern aesthetic. This unit features six spacious drawers, a durable MDF construction, and elegant gold metal legs and handles. Its versatile design allows for placement in various rooms, including bedrooms, living rooms, and hallways.

Key Features:

- Six spacious drawers for organized storage.
- Constructed from high-quality MDF for stability and durability.
- Scratch-resistant and waterproof finish for easy maintenance.
- Smooth-glide metal rails for effortless drawer operation.
- Integrated anti-tip design with included wall anchor for enhanced safety.
- Modern design with gold metal accents and carved patterns.



Figure 1: Garvee 6-Drawer Dresser (White)

This image displays the complete Garvee 6-Drawer Dresser in white, featuring its six drawers, gold metal legs, and handles. The top surface is shown decorated with various household items, illustrating its potential use as a display area.

2. SAFETY INFORMATION

Please read all safety instructions carefully before assembly and use. Failure to follow these instructions may result in injury or damage to the product.

- **Anti-Tipping Device:** It is crucial to install the included anti-tipping device to prevent the dresser from accidentally tipping over. This is especially important in households with children and pets.
- **Weight Capacity:** Do not exceed the maximum weight capacity of 132 lbs (60 kg) for the entire unit. Each drawer has a maximum weight capacity of 22 lbs (10 kg). Overloading drawers can compromise stability and functionality.
- **Assembly:** Assemble the dresser on a soft, clean surface to prevent scratches. Ensure all screws and fasteners are securely tightened before use.
- **Placement:** Place the dresser on a level surface to ensure stability.
- **Children:** Do not allow children to climb on or play with the dresser. Keep small parts and packaging materials away from children.

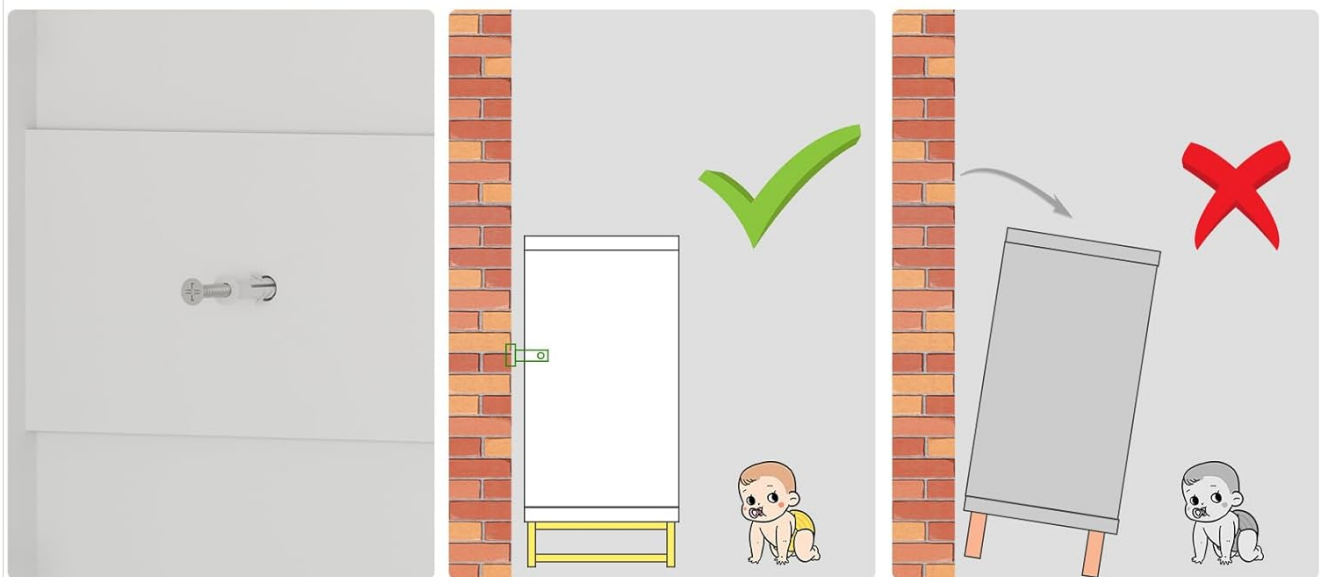
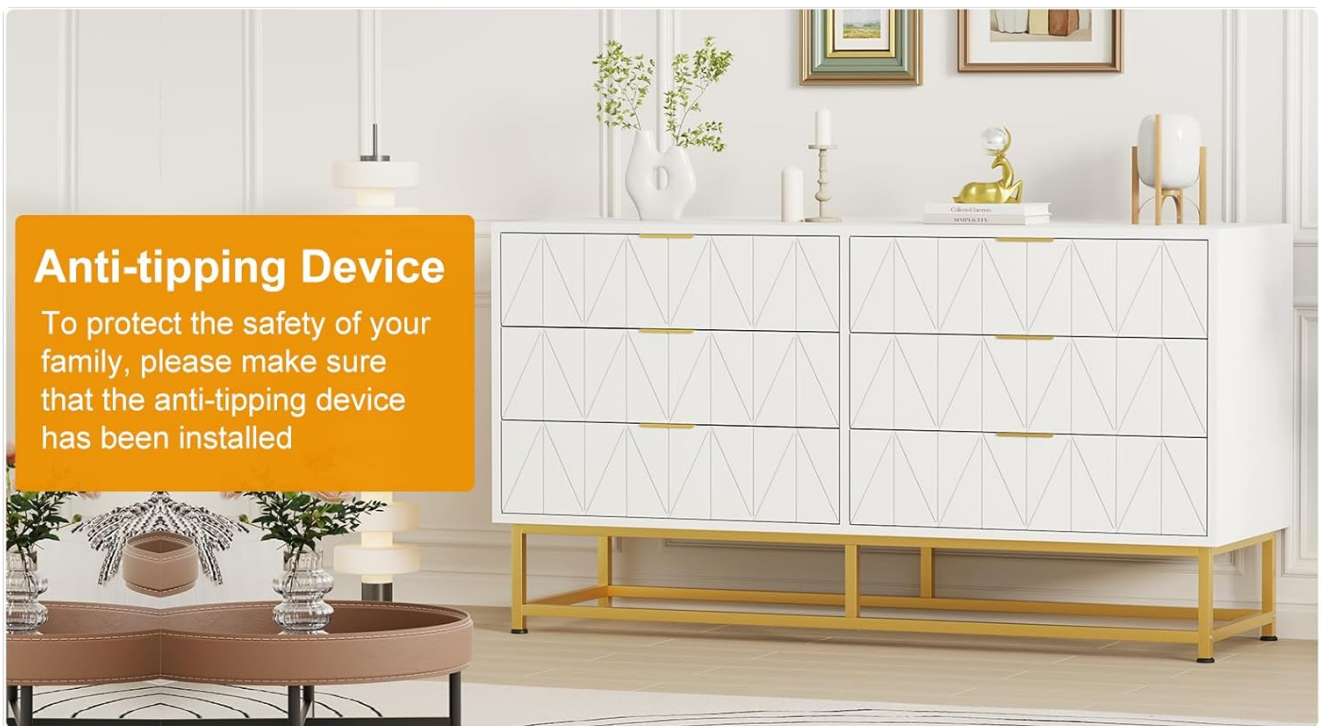


Figure 2: Anti-Tipping Device Installation

This diagram shows the proper method for installing the anti-tipping device, securing the dresser to a wall. It also visually contrasts a correctly installed dresser with one that is unstable and prone to tipping, emphasizing the importance of this safety feature.

3. PACKAGE CONTENTS

Before beginning assembly, verify that all components listed below are present and undamaged. If any parts are missing or damaged, please contact customer support.

- Dresser Panels (Top, Bottom, Sides, Back)
- Drawer Fronts, Sides, and Bottoms
- Gold Metal Legs and Support Frame
- Gold Metal Handles
- Drawer Slide Rails (Left and Right)
- Hardware Pack (Screws, dowels, cam locks, anti-tip kit)
- Assembly Instructions Manual

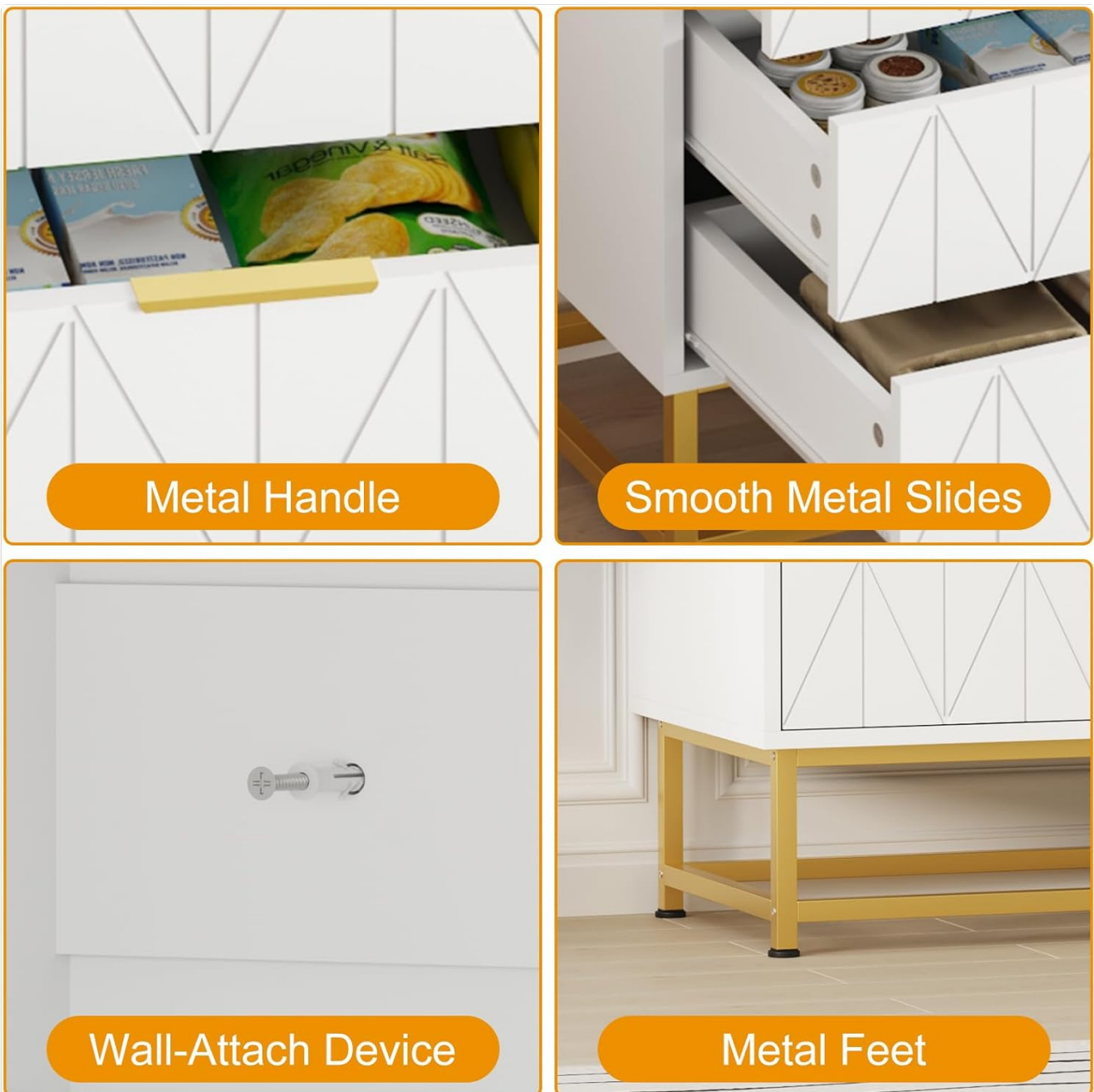


Figure 3: Key Components

This image provides detailed views of essential components: a metal handle, smooth metal drawer slides, the wall-attach device for anti-tipping, and the metal feet that support the dresser.

4. ASSEMBLY INSTRUCTIONS

Assembly is required for this dresser. Please follow the detailed step-by-step instructions provided in the separate assembly manual included in your package. A Phillips head screwdriver and a hammer (not included) may be required.

General Assembly Steps:

1. Unpack all components and verify against the package contents list.
2. Attach the drawer slide rails to the side panels of the dresser frame.
3. Assemble the main dresser frame (top, bottom, and side panels).
4. Attach the back panel to the dresser frame.
5. Assemble each of the six drawers, attaching the drawer slides to the drawer sides.

6. Insert the assembled drawers into the dresser frame.
7. Attach the gold metal handles to the drawer fronts.
8. Secure the gold metal legs and support frame to the bottom of the dresser.
9. Install the anti-tipping device to the back of the dresser and secure it to a wall stud, following the specific instructions in the assembly manual.

For detailed diagrams and specific fastener usage, refer to the dedicated assembly guide.

5. USAGE

The Garvee 6-Drawer Dresser is designed for organizing clothing, accessories, books, and other household items. The wide top surface can be used for displaying decorative items, lamps, or personal belongings.

- **Drawer Operation:** Gently pull and push drawers using the handles. Avoid forcing drawers open or closed.
- **Weight Distribution:** Distribute items evenly within drawers to maintain balance and prevent strain on the drawer slides. Do not place excessively heavy items in a single drawer.
- **Top Surface:** The top surface is suitable for light to medium-weight items. Avoid placing hot items directly on the surface without protection.



Figure 4: Organized Drawer Storage

This image shows the Garvee 6-Drawer Dresser with its drawers partially open, demonstrating the ample storage capacity and how various items such as clothing, books, and accessories can be neatly organized within.

6. CARE AND MAINTENANCE

Proper care will help maintain the appearance and longevity of your Garvee dresser.

- **Cleaning:** Wipe surfaces with a soft, damp cloth. Avoid using harsh chemicals, abrasive cleaners, or polishes that may damage the finish. The dresser's finish is scratch-resistant and waterproof, making cleaning simple.
- **Spills:** Clean up spills immediately to prevent staining.
- **Sunlight:** Avoid prolonged exposure to direct sunlight, which can cause fading or discoloration.
- **Humidity:** Maintain a stable room temperature and humidity level to prevent warping or cracking of wood components.
- **Hardware:** Periodically check and tighten all screws and fasteners to ensure the dresser remains stable.

7. TROUBLESHOOTING

If you encounter any issues with your dresser, refer to the following common solutions:

- **Drawers not sliding smoothly:**
 - Ensure drawer slides are correctly aligned and free of obstructions.
 - Check that all screws securing the slides are tight.
 - Verify that drawers are not overloaded beyond their weight capacity.
- **Dresser feels unstable or wobbly:**
 - Confirm that the dresser is placed on a level surface.
 - Tighten all assembly screws and fasteners.
 - Ensure the anti-tipping device is properly installed and secured to the wall.
- **Missing parts or damaged components:**
 - Refer to the 'Package Contents' section and contact Garvee customer support for assistance.

8. SPECIFICATIONS

Brand	Garvee
Model Number	PHO_33HYBRGK9H
Product Dimensions (D x W x H)	47.2" x 15.8" x 25.7" (120 cm x 40 cm x 65.3 cm)
Color	White
Material	MDF (Medium-Density Fiberboard)
Item Weight	87.1 lbs (39.5 kg)
Total Max Weight Capacity	132 lbs (60 kg)
Per Drawer Max Weight Capacity	22 lbs (10 kg)
Assembly Required	Yes

Product Size

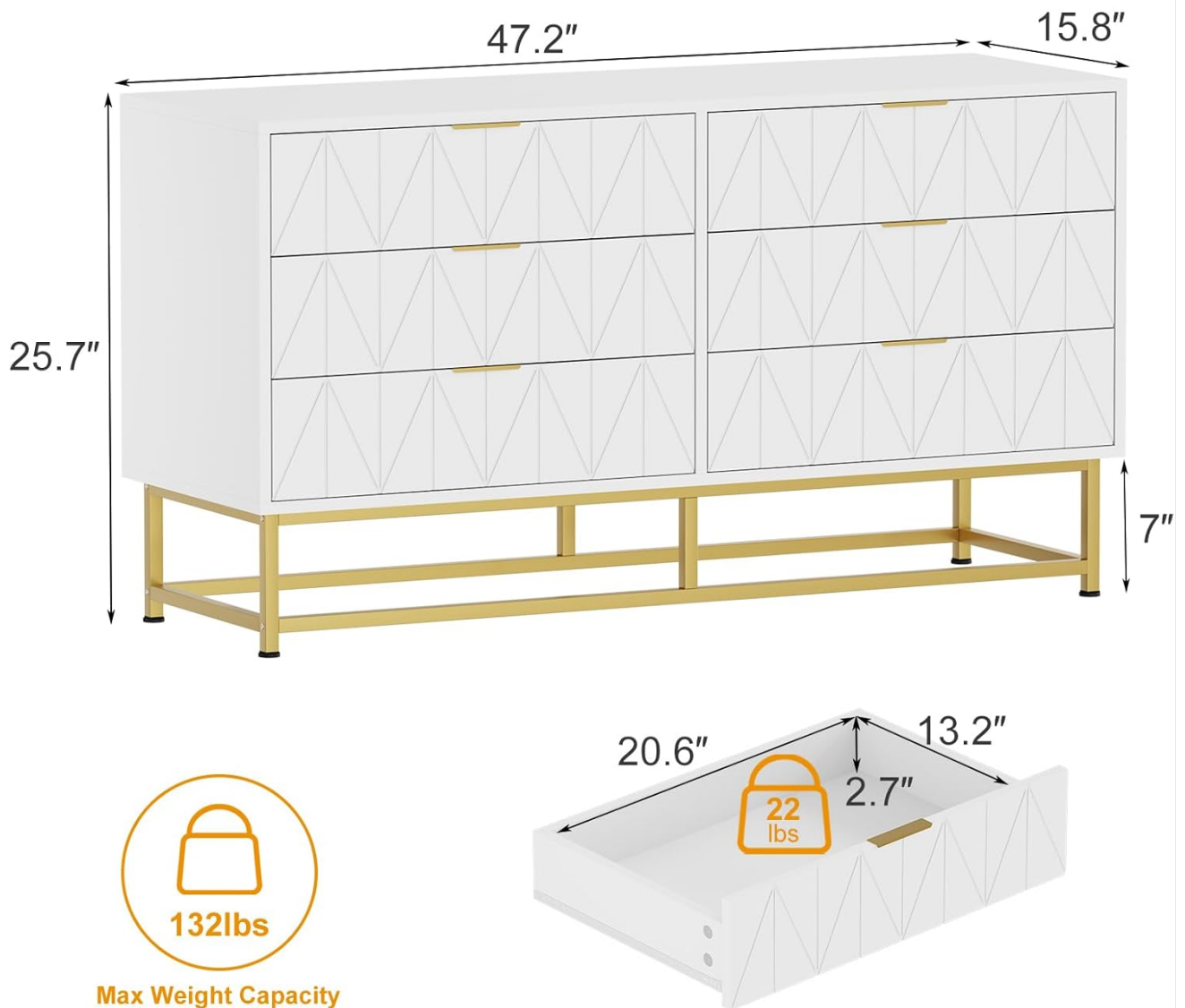


Figure 5: Product Dimensions and Capacity

This image provides a detailed visual representation of the dresser's overall dimensions (47.2"W x 15.8"D x 25.7"H) and the internal dimensions of a single drawer, along with the maximum weight capacity for both the entire unit (132 lbs) and individual drawers (22 lbs).

9. WARRANTY AND SUPPORT

Garvee is committed to providing quality products and customer satisfaction. While specific warranty details are not provided in this manual, please retain your proof of purchase for any warranty claims.

Customer Support:

If you have any questions regarding assembly, missing parts, product functionality, or require further assistance, please do not hesitate to contact Garvee customer support. We aim to respond to all inquiries within 24 hours.

For the most up-to-date contact information, please refer to the Garvee brand store on Amazon or your purchase documentation.

