



[Manuals.plus](#) /

› [SAKURA](#) /

› Sakura U3H 30-inch Stainless Steel Range Hood User Manual

SAKURA U3H

Sakura U3H 30-inch Stainless Steel Range Hood User Manual

1. INTRODUCTION

Thank you for choosing the Sakura U3H 30-inch Stainless Steel Range Hood. This manual provides essential information for the safe installation, operation, and maintenance of your new range hood. Please read all instructions carefully before use and retain this manual for future reference.

The Sakura U3H range hood is designed to enhance your kitchen ventilation with powerful suction and innovative features. It includes dual centrifugal motors, a self-cleaning function, and an efficient filtration system to effectively remove cooking fumes and odors.

2. SAFETY INFORMATION

WARNING: To reduce the risk of fire, electric shock, or injury, observe the following:

- Read all instructions before installing or operating this appliance.
- Installation work and electrical wiring must be done by qualified person(s) in accordance with all applicable codes and standards, including fire-rated construction.
- Do not operate any fan with a damaged cord or plug. Discard fan or return to an authorized service facility for examination and/or repair.
- Sufficient air is needed for proper combustion and exhausting of gases through the flue (chimney) of fuel-burning equipment to prevent back-drafting. Follow the heating equipment manufacturer's guideline and safety standards such as those published by the National Fire Protection Association (NFPA), and the American Society for Heating, Refrigeration and Air Conditioning Engineers (ASHRAE), and the local code authorities.
- When cutting or drilling into wall or ceiling, do not damage electrical wiring and other hidden utilities.
- Ducted fans must always be vented to the outdoors.
- This unit must be grounded.
- Do not use this unit with any solid-state speed control device.
- To reduce the risk of a range top grease fire, never leave surface units unattended at high settings.
- Always turn ON hood when cooking at high heat or when flaming food.

- Clean ventilating fans frequently. Grease should not be allowed to accumulate on fan or filter.
- Use proper pan size. Always use cookware appropriate for the size of the surface element.

3. SETUP AND INSTALLATION

Proper installation is crucial for the optimal performance and safety of your range hood. Please follow these guidelines carefully.

3.1 Clearance Requirements

- Maintain a minimum clearance of **34 inches** between the bottom of the range hood and the cooking surface for gas stoves.
- Maintain a minimum clearance of **32 inches** between the bottom of the range hood and the cooking surface for electric ranges.

3.2 Optimal Fan Positioning

The fans are positioned **14 inches from the wall** and directly above the front burners to ensure optimal ventilation performance and effective capture of cooking fumes.

3.3 Ducting Options

The range hood supports two ducting configurations:

- **6-inch duct:** Provides up to 700 CFM airflow.
- **7-inch duct:** Provides up to 800 CFM airflow.

Ensure proper duct sizing and sealing for maximum efficiency.

3.4 Dimensions and Components



Figure 1: Dimensional drawing of the Sakura U3H range hood, showing overall width of 30 inches and depth of 25 inches, along with ducting and mounting measurements.

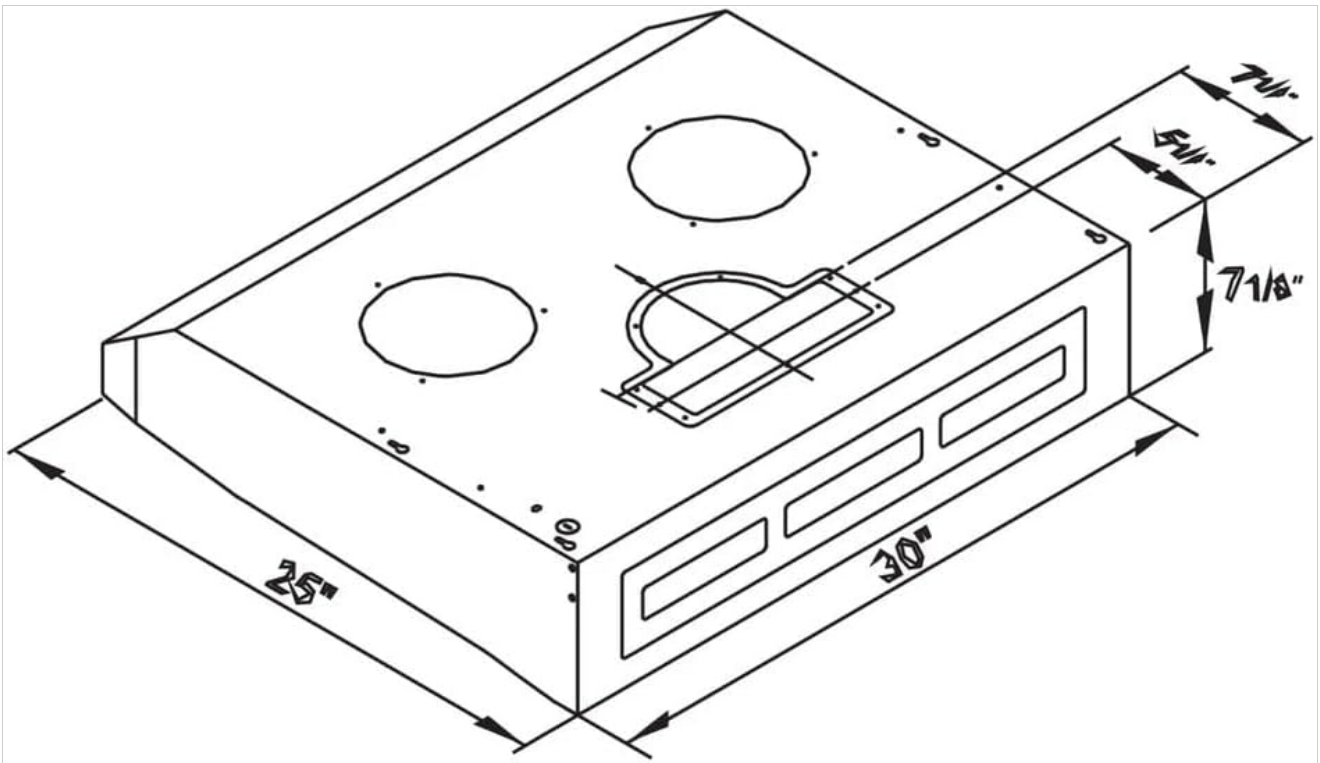


Figure 2: Side view of the range hood, illustrating the exhaust duct connection point and electrical wiring access.



Figure 3: Underside view of the range hood, highlighting the dual centrifugal fans, light fixture, and the label with product specifications.

The range hood includes a mesh filter. Ensure all components are present and undamaged before beginning

installation.

4. OPERATING INSTRUCTIONS

The Sakura U3H range hood features straightforward controls for ease of use.

4.1 Power and Fan Speed Control

- The range hood is equipped with a **2-speed control** switch. Select the desired fan speed (Low or High) based on your cooking needs.
- For light cooking or simmering, use the low-speed setting.
- For heavy cooking, frying, or when generating significant smoke and odors, use the high-speed setting.

4.2 Lighting Control

- A **separate light switch** controls the integrated LED lighting. Turn the light ON or OFF as needed to illuminate your cooking surface.

4.3 Self-Cleaning Function

The innovative self-cleaning function simplifies maintenance:

- Press the dedicated **self-cleaning button** to activate the function.
- The system will initiate an automatic heating cycle that melts up to 90% of accumulated oil buildup.
- The function will automatically shut off upon completion.

5. MAINTENANCE

Regular maintenance ensures the longevity and efficient operation of your range hood.

5.1 Self-Cleaning System

Utilize the one-touch self-cleaning function regularly to prevent excessive oil buildup. This process melts oil, which then collects in the oil collection system.

5.2 Oil Collection System

The range hood features a removable, dishwasher-safe oil collection system. Periodically check and empty the oil collector. Clean it thoroughly in a dishwasher or with warm, soapy water.



Figure 4: Illustration of the self-cleaning mechanism or the removable oil collection tray for easy maintenance.

5.3 Aluminum Filters

The range hood uses replaceable aluminum filters. Inspect these filters regularly for grease accumulation. Clean them as needed by hand washing with warm, soapy water or replacing them if heavily soiled or damaged. Ensure filters are completely dry before re-installing.

5.4 Exterior Cleaning

Clean the stainless steel exterior with a soft cloth and a non-abrasive stainless steel cleaner. Avoid harsh chemicals or abrasive pads that could scratch the surface.

6. TROUBLESHOOTING

If you encounter issues with your range hood, refer to the following common problems and solutions:

| Problem | Possible Cause | Solution |
|--------------------------|---|--|
| Hood does not turn on | No power supply; loose wiring; faulty switch | Check circuit breaker/fuse; ensure power cord is securely plugged in; verify wiring connections; contact service if switch is faulty. |
| Poor suction performance | Clogged filters; improper ducting; external air pressure; fan motor issue | Clean or replace filters; check ductwork for obstructions or leaks; ensure proper makeup air; contact service if motor is faulty. |
| Excessive noise | Loose parts; fan obstruction; motor bearing issue; improper installation | Check for loose screws or components; remove any foreign objects from fan blades; contact service for motor issues; verify installation is secure. |
| Lights not working | Burnt-out LED bulb; loose wiring; faulty light switch | Replace LED bulb (if replaceable); check wiring connections; contact service if switch is faulty. |

| Problem | Possible Cause | Solution |
|---------------------------------------|---|---|
| Self-cleaning function not activating | Power issue; sensor malfunction; button malfunction | Ensure power supply; contact service for sensor or button issues. |

If the problem persists after attempting these solutions, please contact customer support.

7. SPECIFICATIONS

Detailed technical specifications for the Sakura U3H 30-inch Stainless Steel Range Hood:

| Feature | Specification |
|--------------------------------|---------------------|
| Model Number | U3H |
| Product Dimensions (D x W x H) | 33"D x 29"W x 10"H |
| Material Type | Stainless Steel |
| Color | Silver |
| Mounting Type | Under Cabinet Mount |
| Ventilation Type | Exhaust |
| Maximum Airflow (6" duct) | 700 CFM |
| Maximum Airflow (7" duct) | 800 CFM |
| Number of Speeds | 2 |
| Noise Level | 5 Sones |
| Special Feature | Self-cleaning |
| Filter Type | Mesh (Aluminum) |
| Light Source | LED |
| Voltage | 120 Volts |
| Frequency | 60 Hz |
| Wattage | 345 watts |
| Item Weight | 40 Pounds |
| Included Components | Mesh Filter |
| Certification | CSA |

8. WARRANTY AND SUPPORT

8.1 Product Warranty

The Sakura U3H Range Hood comes with a **1-Year Limited Warranty** from the date of purchase. This warranty

covers defects in materials and workmanship under normal use. Please retain your proof of purchase for warranty claims.

The warranty does not cover damage resulting from improper installation, misuse, abuse, accident, neglect, unauthorized repair, or modification.

8.2 Customer Support

For technical assistance, warranty claims, or to order replacement parts, please contact Sakura customer support. Refer to the contact information provided with your product packaging or visit the official Sakura website for the most up-to-date support details.

When contacting support, please have your model number (U3H) and date of purchase readily available.