

[Manuals.plus](#) /

› [POLED](#) /

› POLED Airluv 4 Baby Car Seat Cooling Liner Instruction Manual

## POLED Airluv 4

# POLED Airluv 4 Baby Car Seat Cooling Liner Instruction Manual

## 1. PRODUCT OVERVIEW

---

The POLED Airluv 4 Baby Car Seat Cooling Liner is designed to provide a comfortable and cool environment for infants and toddlers in car seats and strollers. It features an integrated silent fan and a breathable 3D mesh fabric to regulate temperature and minimize perspiration during travel.



Image: The POLED Airluv 4 cooling liner installed in a stroller, illustrating the airflow it provides for a child's comfort.

## 2. SAFETY INFORMATION

---

- Always ensure the car seat or stroller is installed correctly according to its manufacturer's instructions. The cooling liner is an accessory and does not replace proper safety measures.
- Supervise your child at all times while using the cooling liner.
- Keep the fan unit and electrical connections away from water and other liquids.
- Do not modify the product. Use only original components and accessories.
- Ensure the child is not overcooled. Monitor their temperature regularly, especially in cooler environments.
- For optimal portability, a 10,000mAh portable power bank is recommended for up to 8 hours of continuous use.

## 3. PACKAGE CONTENTS

---

Verify that all items are present in the package:

- POLED Airluv 4 Cooling Liner

- Integrated Silent Fan Unit
- USB Power Cable

## 4. SETUP AND INSTALLATION

The Airluv 4 liner is designed for universal compatibility with most infant car seats, toddler car seats, and strollers. Follow these steps for installation:

1. Place the Airluv 4 liner into the car seat or stroller, ensuring it sits flush against the back and seat.
2. Thread the car seat or stroller's harness straps through the designated openings in the liner. The liner is equipped with a 3-point strap system to keep it securely in place.
3. Connect the USB power cable from the fan unit to a suitable power source, such as a car's USB port or a portable power bank.



Image: The POLED Airluv 4 cooling liner correctly positioned within a car seat, ready for use.

## Usability / Compatibility



Bouncer



Stroller



Car Seat

Image: Visual representation of the Airluv 4 liner's compatibility with various baby seating options, including bouncers, strollers, and car seats.

## 5. OPERATION

The Airluv 4 features a whisper-quiet fan with adjustable wind levels to suit different conditions.

1. Once connected to a power source, locate the control unit on the USB cable.
2. Press the power button to turn the fan on.
3. Cycle through the wind levels (typically 1-4) by pressing the control button. Levels 1-2 are suitable for indoor use or with air conditioning, while levels 3-4 provide stronger cooling for hot outdoor conditions.
4. To turn off the fan, press the power button until the unit powers down.

## Control Wind Level

### Level 1-2

- Lightly—for indoors with the air conditioner running
- 
- 



### Level 3-4

- Strong—for hot and sweaty outdoor conditions
- 
- 



Image: A diagram illustrating the different wind levels (1-4) and their recommended usage scenarios for the cooling liner.

## Ergonomic Ventilation System

The Airluv 4 utilizes an ergonomic ventilation design with a 3-zone airhole system to deliver optimal airflow to specific body areas, ensuring efficient thermal regulation.

## Ergonomic Ventilation



① BIG AIRHOLE



② SOFT AIRHOLE



③ EXTREME AIRHOLE

Featuring a 3-zone airhole, it delivers optimal airflow to specific areas, enabling faster and more efficient thermal care.

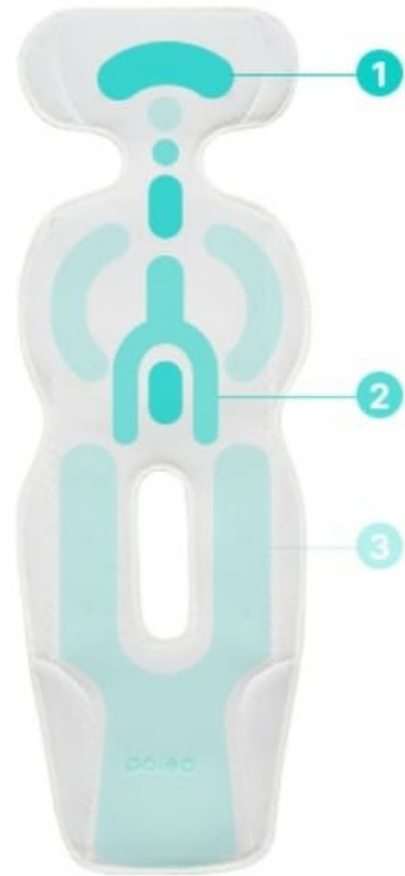


Image: A diagram detailing the ergonomic ventilation system of the Airluv 4, highlighting the three distinct airhole zones for targeted cooling.

## 4-layer 3D mesh fabric minimizes perspiration

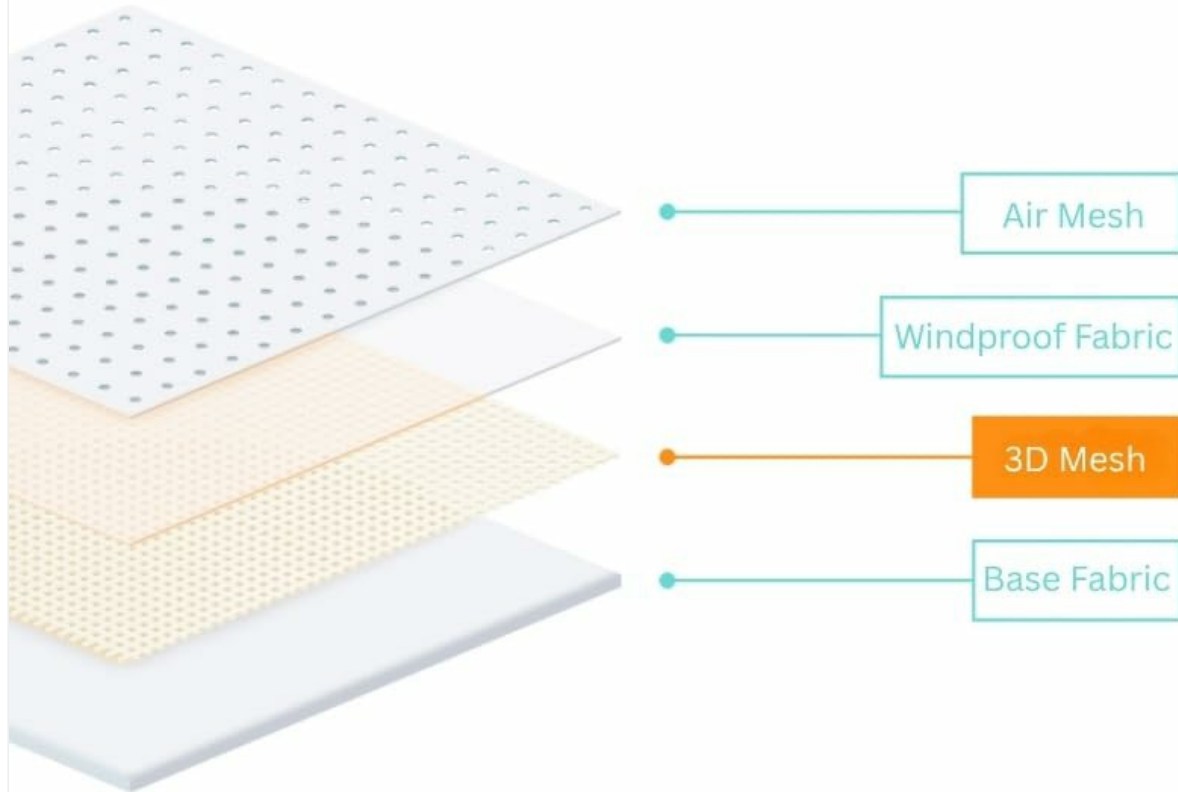


Image: An exploded view illustrating the four layers of the 3D mesh fabric, designed to minimize perspiration and enhance breathability.

## 6. MAINTENANCE

To ensure the longevity and hygiene of your Airluv 4 cooling liner:

- The liner is made with washable materials. Before washing, carefully remove the integrated fan unit.
- Hand wash or machine wash on a gentle cycle with cold water. Do not bleach.
- Air dry the liner completely before reinserting the fan unit and using it again. Do not tumble dry.
- Wipe the fan unit with a dry cloth if necessary. Do not immerse the fan unit in water.



Image: A close-up of the rear-mounted fan unit, which can be removed for cleaning the liner.

## 7. TROUBLESHOOTING

Problem	Possible Cause	Solution
Fan not turning on	No power, loose connection, depleted power bank	Ensure USB cable is securely connected. Check power source (car USB or power bank) is active and charged.
Insufficient cooling	Low fan speed, obstructed airflow, extreme ambient temperature	Increase fan speed. Ensure fan intake and liner's airholes are not blocked. In very hot conditions, cooling effect may be less noticeable.
Unusual noise from fan	Obstruction in fan, fan unit not properly seated	Turn off and disconnect power. Inspect fan for any foreign objects. Ensure fan unit is correctly installed in the liner.

## 8. SPECIFICATIONS

- **Model:** Airluv 4
- **Material Composition:** 100% Polyester
- **Item Weight:** Approximately 1.98 pounds
- **Package Dimensions:** 13.98 x 9.8 x 4.65 inches
- **Power Source:** USB (Batteries not required for the unit itself, external power source needed)
- **Recommended Power Bank:** 10,000mAh for up to 8 hours of continuous use

## Product Size

Seat: 335(W) x 950(H) mm ( $\pm 20$ mm)

Controller: 20(W) x 70(H) mm

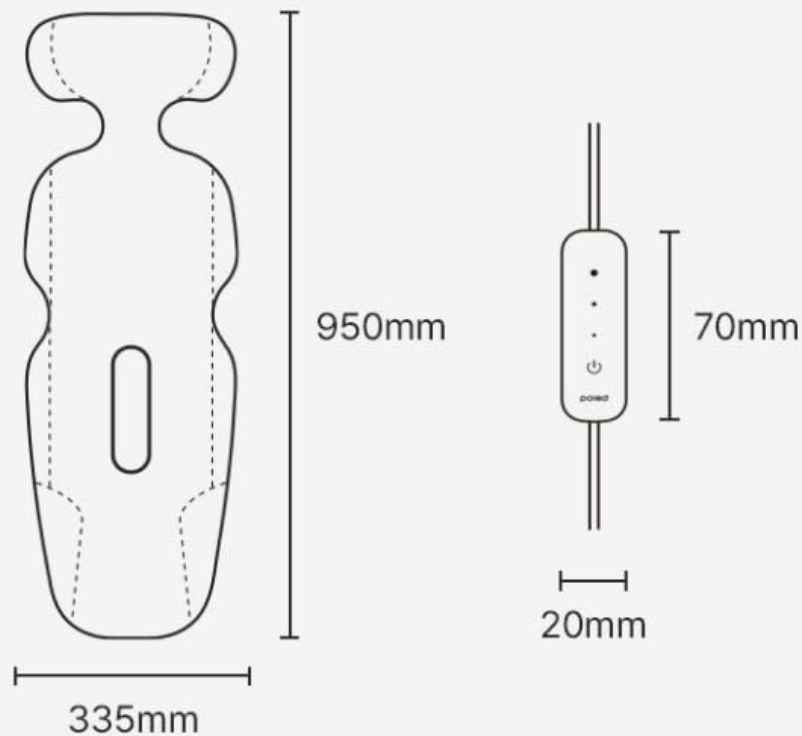


Image: A technical drawing detailing the dimensions of the Airluv 4 cooling liner and its control unit.

## 9. WARRANTY AND SUPPORT

For warranty information, product support, or any inquiries, please refer to the official POLED website or contact their customer service directly. Keep your purchase receipt as proof of purchase.