



[Manuals.plus](#) /

› [AirWire](#) /

› AirWire 20x40 FT Metal Carport Canopy Instruction Manual ATP2040BR

AirWire ATP2040BR

AirWire 20x40 FT Metal Carport Canopy

INSTRUCTION MANUAL - MODEL ATP2040BR

[Contents](#) [Setup](#) [Operation](#) [Safety Information](#) [Package](#)
[Maintenance](#) [Troubleshooting](#) [Specifications](#) [Warranty & Support](#)

1. SAFETY INFORMATION

This product has no specific safety warnings beyond standard construction and assembly precautions. Always exercise caution during assembly and use.

- Ensure all components are securely fastened before use.
- Do not attempt assembly during high winds or adverse weather conditions.
- Wear appropriate personal protective equipment (PPE) such as gloves and eye protection during assembly.
- Ensure the installation site is level and clear of obstructions.
- Clear snow promptly from the roof to prevent structural damage.

2. PACKAGE CONTENTS

Verify all parts are present before beginning assembly. Refer to the detailed parts list provided in your physical instruction manual.

- High-quality 2-inch square steel tubing for the frame.
- Galvanized steel roof panels.
- Reinforced base components.
- 18 heavy-duty anchor bolts.
- All necessary fasteners (screws, bolts).
- Waterproof seals and durable rubber edges.

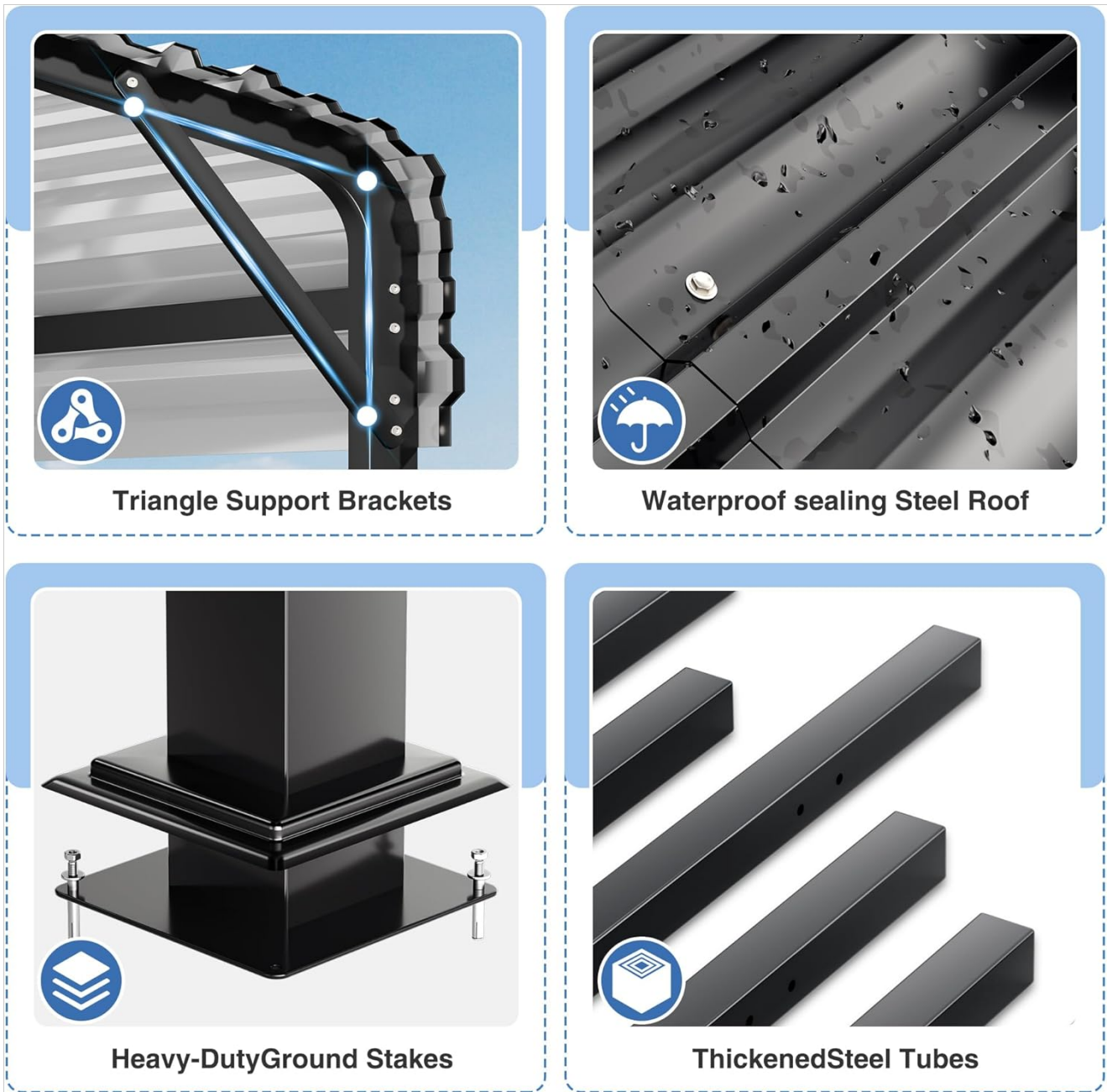


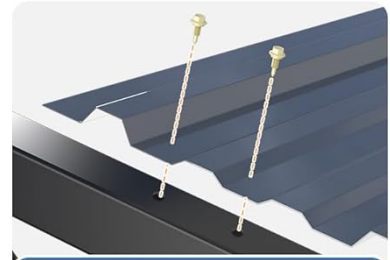
Figure 2.1: Key structural features of the AirWire Metal Carport.

3. SETUP INSTRUCTIONS

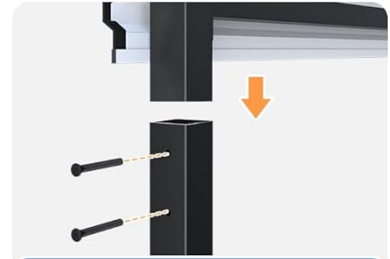
Assembly of the AirWire 20x40 FT Metal Carport requires 5-6 people for efficient and safe installation. Detailed step-by-step instructions are provided in the included paper manual.

3.1. Assembly Overview

Easy to Assemble



Step 1
Assemble the canopy frame



Step 2
Install the canopy cover



Step 3
Attach the canopy to the base pillars

Figure 3.1: Simplified assembly steps for the carport.

3.2. Detailed Assembly Steps

1. **Prepare the Site:** Ensure a flat, level surface for construction to ensure proper water drainage and structural integrity.
2. **Assemble the Frame:** Connect the main frame components using the provided bolts and screws. The frame is made of high-quality 2-inch square steel tubing.
3. **Install Roof Beams:** Attach the 9 additional center roof beams and other diagonal support designs to increase top load capacity and resistance to strong winds.
4. **Attach Roof Panels:** Secure the galvanized steel roof panels. Apply waterproof tape to the outside seams of the two layers of tin to prevent leakage.
5. **Install Side Reinforcement:** Add multiple roof and side reinforcement bars for improved stability.
6. **Secure the Base:** Equip the carport with the 18 heavy-duty anchor bolts to accommodate various terrains.

Video 3.2: An official AirWire assembly guide demonstrating the construction process for a similar carport model. This video provides a visual reference for the assembly steps.

4. OPERATION

The AirWire Metal Carport is designed to provide reliable shelter for various vehicles and equipment. Its dimensions (466.1 inches x 238.1 inches x 116.9 inches) can easily accommodate tractors, boats, and trucks.

- Use the carport to protect vehicles from sun, rain, and snow.
- The UV-resistant galvanized sheet helps protect your vehicle from high temperatures in summer.
- The sloped roof design provides better leak protection on rainy days.



Figure 4.1: The carport providing shelter for multiple vehicles.

5. MAINTENANCE

Regular maintenance ensures the longevity and performance of your carport.

- **Snow Removal:** Clear snow promptly from the roof to protect your vehicle and the carport structure from damage due to excessive weight.
- **Inspection:** Periodically inspect all bolts and connections to ensure they remain tight and secure.
- **Rust Prevention:** The frame components are coated with three layers of rust-resistant coating. However, regularly check for any signs of rust or damage to the coating and address them as needed to prolong service life.
- **Cleaning:** Clean the roof and frame as necessary to remove dirt, debris, or leaves that may accumulate.



Figure 5.1: Carport effectively sheltering vehicles in snowy conditions, highlighting the importance of snow removal.

6. TROUBLESHOOTING

If you encounter issues with your carport, consider the following:

- **Water Leakage:** Ensure all roof panels are correctly overlapped and securely fastened. Verify that the waterproof seals and rubber edges are properly installed and intact. Reapply or reinforce waterproof tape if necessary.
- **Structural Instability:** Check all anchor bolts and ground stakes to confirm they are firmly secured. Ensure all frame connections are tight. If the ground is soft, consider additional anchoring methods.
- **Missing Parts:** If any parts are missing upon delivery, contact customer support immediately with your purchase details.

7. SPECIFICATIONS

Feature	Detail
---------	--------

Brand	AirWire
Model Number	ATP2040BR
Style	20x40 FT
Product Dimensions (L x W x H)	458.3"L x 236.4"W x 128.5"H
Material	Metal (Galvanized Steel Frame & Roof)
Item Weight	922.9 Pounds
Color	Black
Water Resistance Level	Water Resistant
Ultraviolet Light Protection	Yes
Assembly Required	Yes

Product Size

✓ 20 X 40 FT

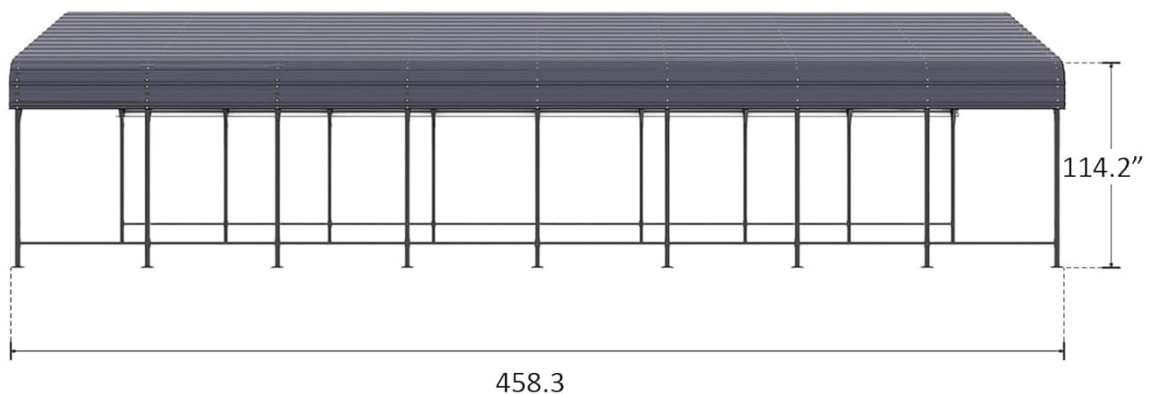
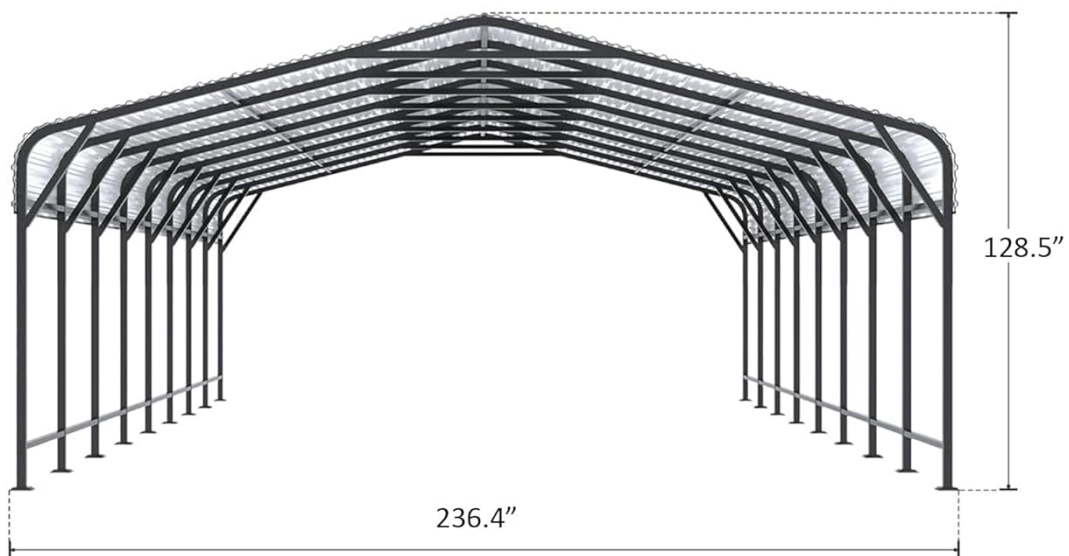


Figure 7.1: Detailed product dimensions.

8. WARRANTY AND SUPPORT

Your AirWire Metal Carport comes with a 30-day easy return policy. For any questions, concerns, or support needs regarding your product, please contact the seller, FengLin Direct, directly through your purchase platform. They are committed to providing a smooth and satisfying ownership experience.