

[Manuals.plus](#) /

> [HOOBRO](#) /

> HOOBRO Corner Shelf Wall-Mounted and Gaming Floating Shelves Instruction Manual BF26BJP201-BB70DBJ01

## HOOBRO BF26BJP201-BB70DBJ01

# HOOBRO Corner Shelf Wall-Mounted and Gaming Floating Shelves Instruction Manual

Model: BF26BJP201-BB70DBJ01

## 1. PRODUCT OVERVIEW

This manual provides instructions for the assembly, operation, and maintenance of your HOOBRO Corner Shelf Wall-Mounted and Gaming Floating Shelves. This product includes a set of two 5-tier corner shelves and one 4-tier gaming floating shelf with integrated LED lighting. These versatile units are designed to maximize wall space and enhance your living or gaming environment.

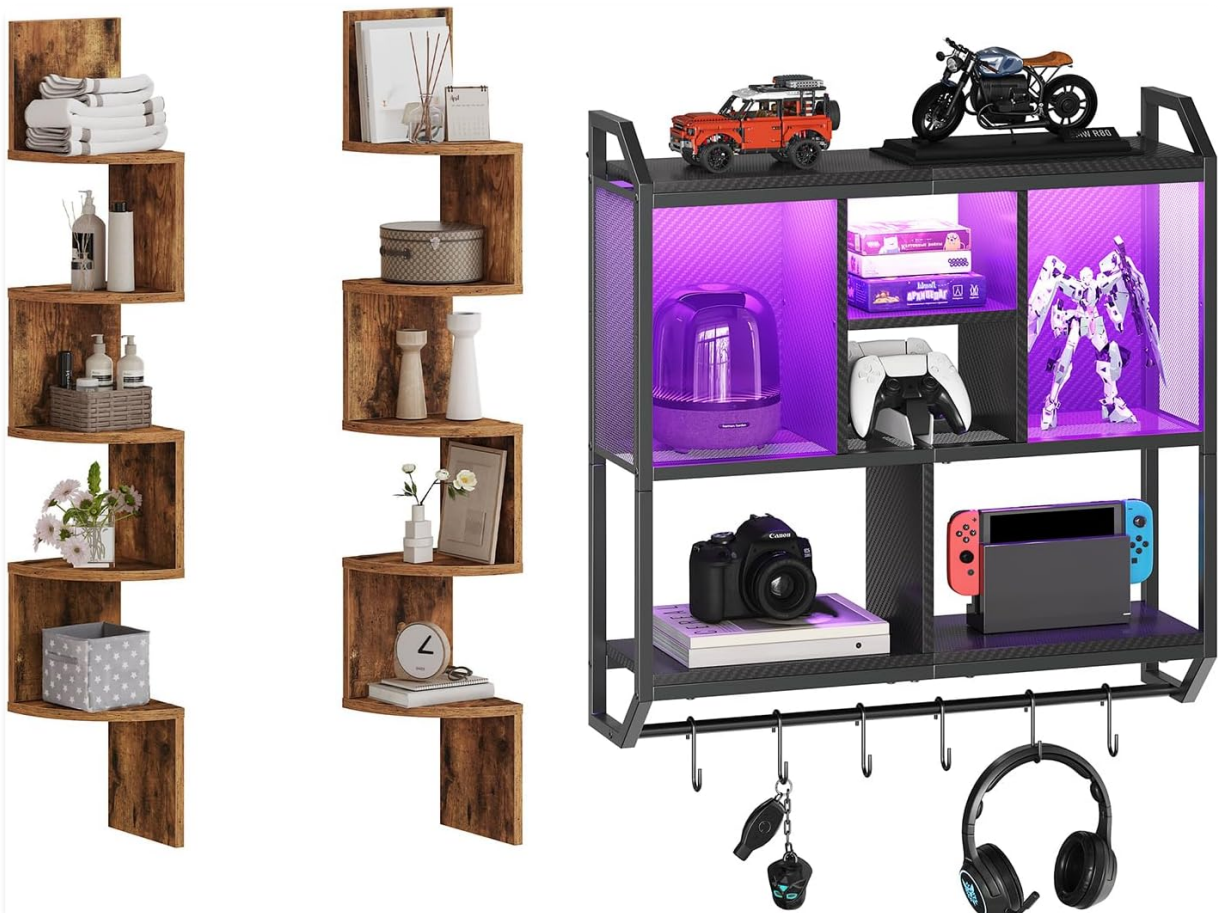


Image: The HOOBRO product set, featuring two 5-tier corner shelves and one 4-tier gaming floating shelf with LED lights, showcasing their distinct designs and potential uses.

---

## 2. SAFETY INFORMATION

- Read all instructions carefully before assembly and use.
  - Keep all small parts and packaging materials away from children.
  - Ensure all connections are secure before placing items on the shelves.
  - This product is suitable for solid walls only. Do not install on drywall without proper anchors or into wall studs.
  - Do not exceed the maximum load capacity for each shelf tier.
  - Use appropriate tools and follow safety guidelines during installation.
- 

## 3. PACKAGE CONTENTS

Please verify that all components are present before beginning assembly. If any parts are missing or damaged, please contact customer support.

- 5-Tier Corner Shelf Boards (x2 sets)
  - 4-Tier Gaming Floating Shelf Frame and Boards (x1 set)
  - LED Light Strip with Controller (for gaming shelf)
  - Mounting Hardware (screws, wall anchors, etc.)
  - S-Hooks (for gaming shelf)
  - Instruction Manual
- 

## 4. SETUP AND ASSEMBLY

Assembly is designed to be straightforward. Follow these steps carefully. It is recommended to have a second person assist with wall mounting.

### 4.1 Corner Shelf Assembly

1. Identify all corner shelf boards and connecting hardware.
  2. Assemble the 5-tier corner shelf units according to the provided diagrams, ensuring all screws are tightened securely.
  3. Choose a suitable solid wall location for installation.
  4. Mark the drilling points on the wall using the assembled shelf as a guide.
  5. Drill pilot holes at the marked points. Insert wall anchors if necessary for your wall type.
  6. Mount the assembled corner shelves to the wall using the provided screws. Ensure they are level and firmly attached.
-

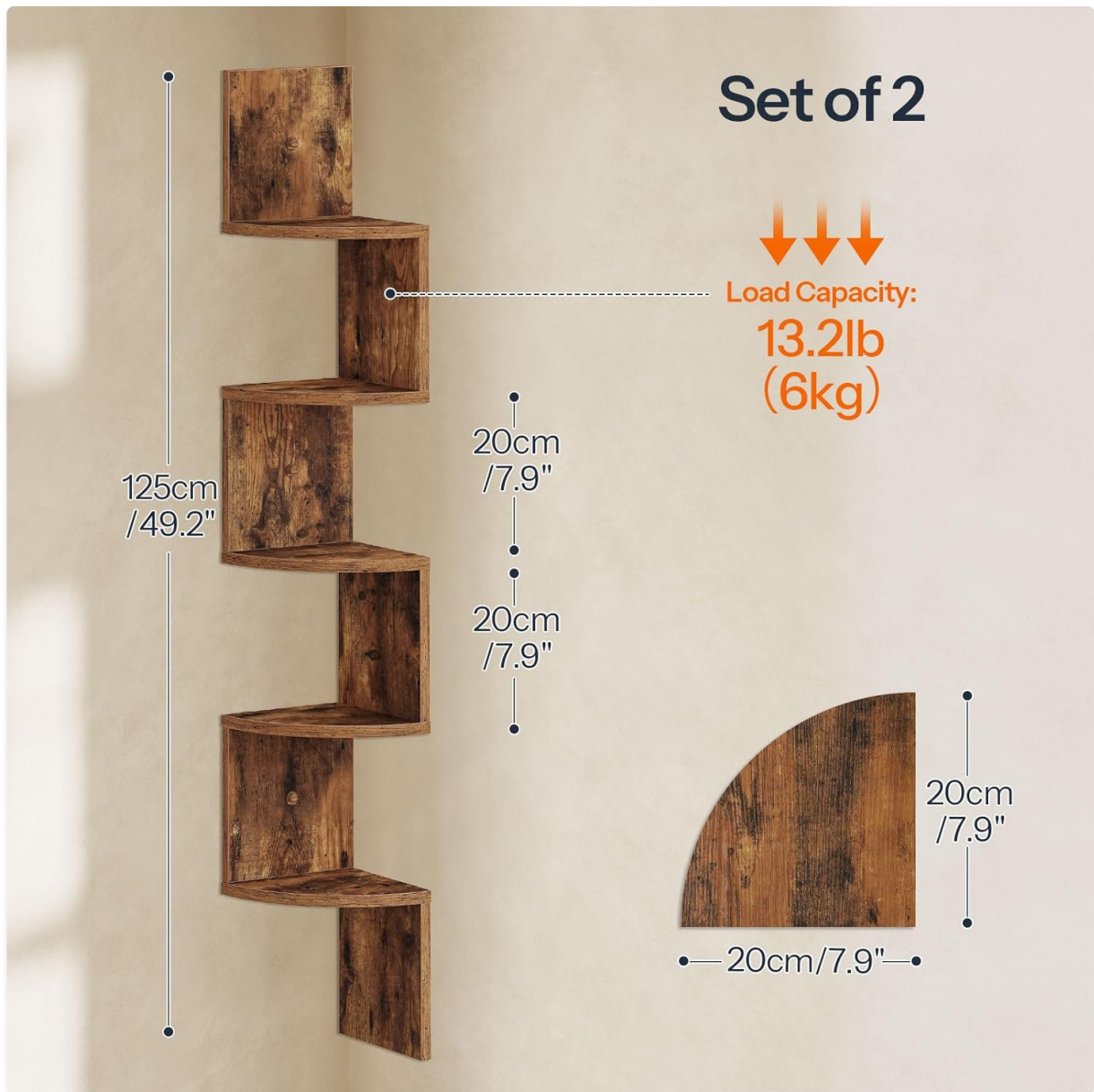


Image: A diagram illustrating the dimensions of the 5-tier corner shelf (approximately 49.2 inches high, 7.9 inches deep per shelf) and its load capacity of 13.2 lbs (6 kg) per tier.

#### 4.2 Gaming Floating Shelf Assembly

1. Identify all gaming shelf frame components and boards.
2. Assemble the main frame of the gaming shelf, securing all connections.
3. Insert the shelf boards into the designated slots within the frame.
4. Attach the bottom towel bar and S-hooks to the gaming shelf.
5. Choose a suitable solid wall location for installation.
6. Mark the drilling points on the wall using the assembled shelf as a guide.
7. Drill pilot holes at the marked points. Insert wall anchors if necessary for your wall type.
8. Mount the assembled gaming shelf to the wall using the provided screws. Ensure it is level and firmly attached.
9. Carefully attach the LED light strip to the designated areas on the gaming shelf, ensuring the wiring is neatly routed.

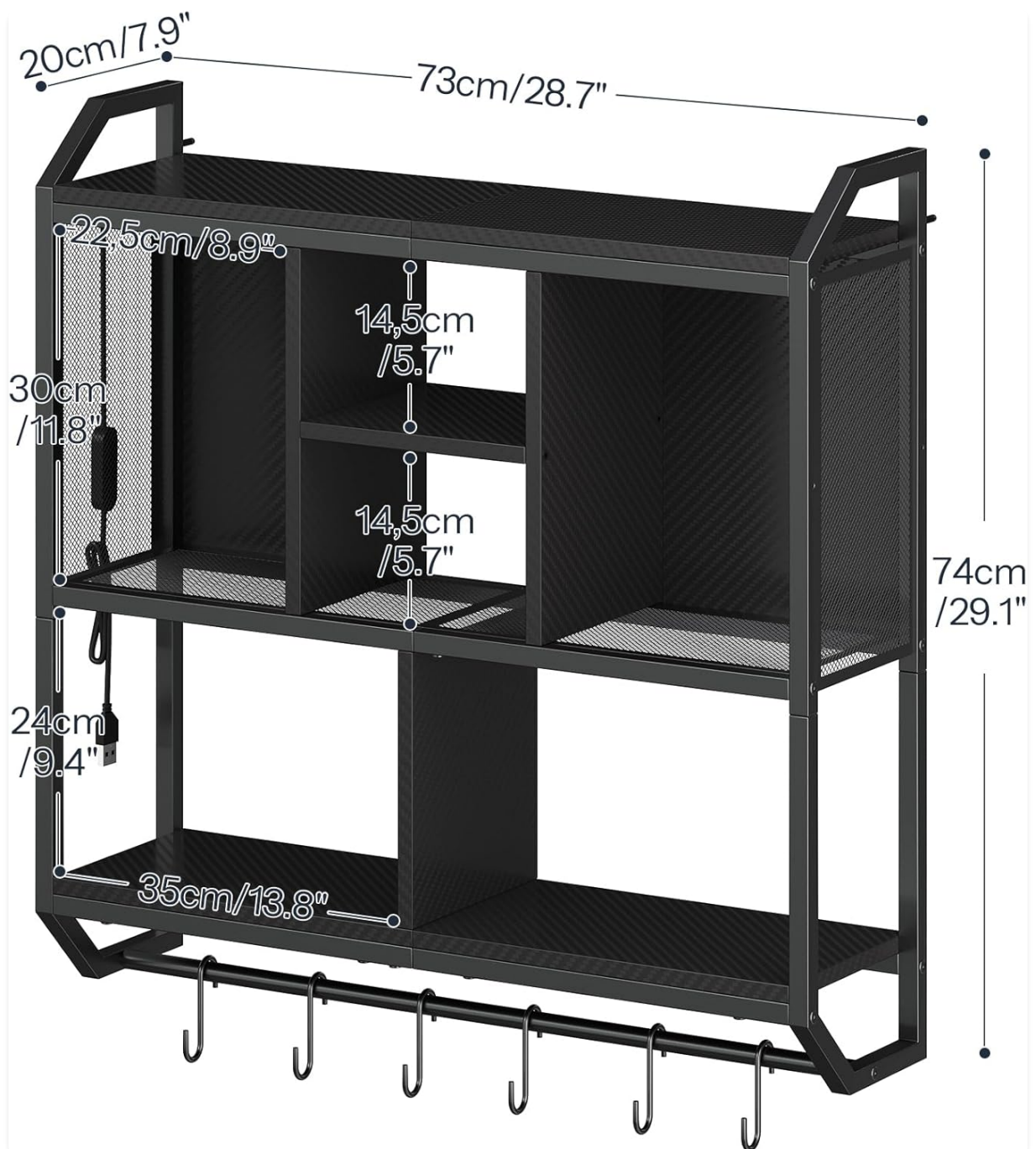


Image: A diagram illustrating the dimensions of the 4-tier gaming floating shelf (approximately 28.7 inches long, 13.8 inches deep, and 29.1 inches high).

## 5. OPERATING INSTRUCTIONS (LED LIGHTS)

The gaming floating shelf features an integrated LED light strip with multiple color and mode options, controllable via an app.

1. **Power Connection:** Connect the LED light strip to a suitable power source using the provided adapter.
2. **App Download:** Scan the QR code provided with the LED controller or search for the recommended app in your device's app store.
3. **Pairing:** Follow the in-app instructions to pair your mobile device with the LED light strip controller via Bluetooth.
4. **Control Functions:**
  - **Color Selection:** Choose from a wide spectrum of colors.

- **Mode Adjustment:** Select various dynamic lighting modes (e.g., flashing, fading, strobing).
- **Brightness Control:** Adjust the intensity of the lights.
- **Music Sync:** Activate the music sync function to allow the lights to react to sound or music.



Image: The gaming shelf illuminated with purple LED lights, showcasing gaming consoles and accessories, with an overlay demonstrating the app control interface for music mode, sync mode, and key control.

## 6. MAINTENANCE

- **Cleaning:** Wipe the shelves with a soft, damp cloth. Avoid using harsh chemicals or abrasive cleaners, which may damage the finish.
- **Dusting:** Regularly dust the shelves to prevent buildup.
- **Hardware Check:** Periodically check all mounting hardware and screws to ensure they remain tight and secure. Retighten if necessary.
- **LED Care:** Ensure the LED strip and controller are kept dry. Do not attempt to repair damaged LED components yourself.

## 7. TROUBLESHOOTING

- **Shelf feels wobbly after installation:** Ensure all mounting screws are fully tightened and that the wall anchors (if used) are properly seated. Verify the wall type is suitable for mounting.
- **LED lights not turning on:** Check the power connection to the LED strip and ensure the adapter is plugged into a working outlet. Verify the app is correctly paired and the lights are not turned off in the app.
- **LED lights not responding to app:** Ensure Bluetooth is enabled on your device and the app is open. Try restarting the app or re-pairing the device with the LED controller.
- **Missing parts:** If any parts are missing upon unboxing, please contact HOOBRO customer support with your purchase details.

---

## 8. SPECIFICATIONS

### 8.1 5-Tier Corner Shelf (Set of 2)

- **Dimensions:** Approximately 49.2" H x 7.9" D (125 cm H x 20 cm D)
- **Load Capacity:** 13.2 lbs (6 kg) per tier
- **Material:** Engineered Wood

### 8.2 4-Tier Gaming Floating Shelf

- **Dimensions:** Approximately 28.7" L x 13.8" W x 29.1" H (73 cm L x 35 cm W x 74 cm H)
- **Features:** Integrated LED light strip, bottom towel bar, 6 S-hooks
- **Material:** Metal Frame, Engineered Wood Boards

---

## 9. WARRANTY AND SUPPORT

HOOBRO products are designed for quality and durability. For warranty information, technical support, or to report missing/damaged parts, please refer to the contact information provided with your purchase or visit the official HOOBRO website. Please retain your proof of purchase for warranty claims.