

Yosoo Yosoo BT5.3 Media Button

Yosoo Wireless BT5.3 Media Button User Manual

Model: Yosoo BT5.3 Media Button

1. INTRODUCTION

Welcome to the user manual for your new Yosoo Wireless BT5.3 Media Button. This device is designed to provide convenient, hands-free control over your smartphone's media functions, calls, and even selfies, whether you're driving, cycling, or engaging in other activities. Its compact and versatile design allows for easy installation on steering wheels, handlebars, or other suitable surfaces.

Please read this manual thoroughly before using the product to ensure proper operation and to maximize its lifespan. Keep this manual for future reference.

2. SAFETY INFORMATION

- Do not disassemble, repair, or modify the device. This may cause damage, electric shock, or fire.
- Keep the device away from extreme temperatures, direct sunlight, and humid environments.
- Avoid dropping or subjecting the device to strong impacts.
- Do not expose the device to water or other liquids beyond its IP67 rating.
- Ensure the device is securely mounted to prevent it from becoming a projectile during sudden movements or accidents.
- Always prioritize safe driving or activity. Do not operate the device in a way that distracts you from your primary task.

3. PACKAGE CONTENTS

Please check the package for the following items:

- 1 x Yosoo Wireless BT5.3 Media Button
- 1 x USB Charging Cable
- 1 x User's Manual (this document)

4. PRODUCT OVERVIEW

The Yosoo Wireless BT5.3 Media Button is a compact and versatile remote control designed for ease of use and durability.

4.1 Components and Controls



Figure 4.1: Yosoo Wireless BT5.3 Media Button

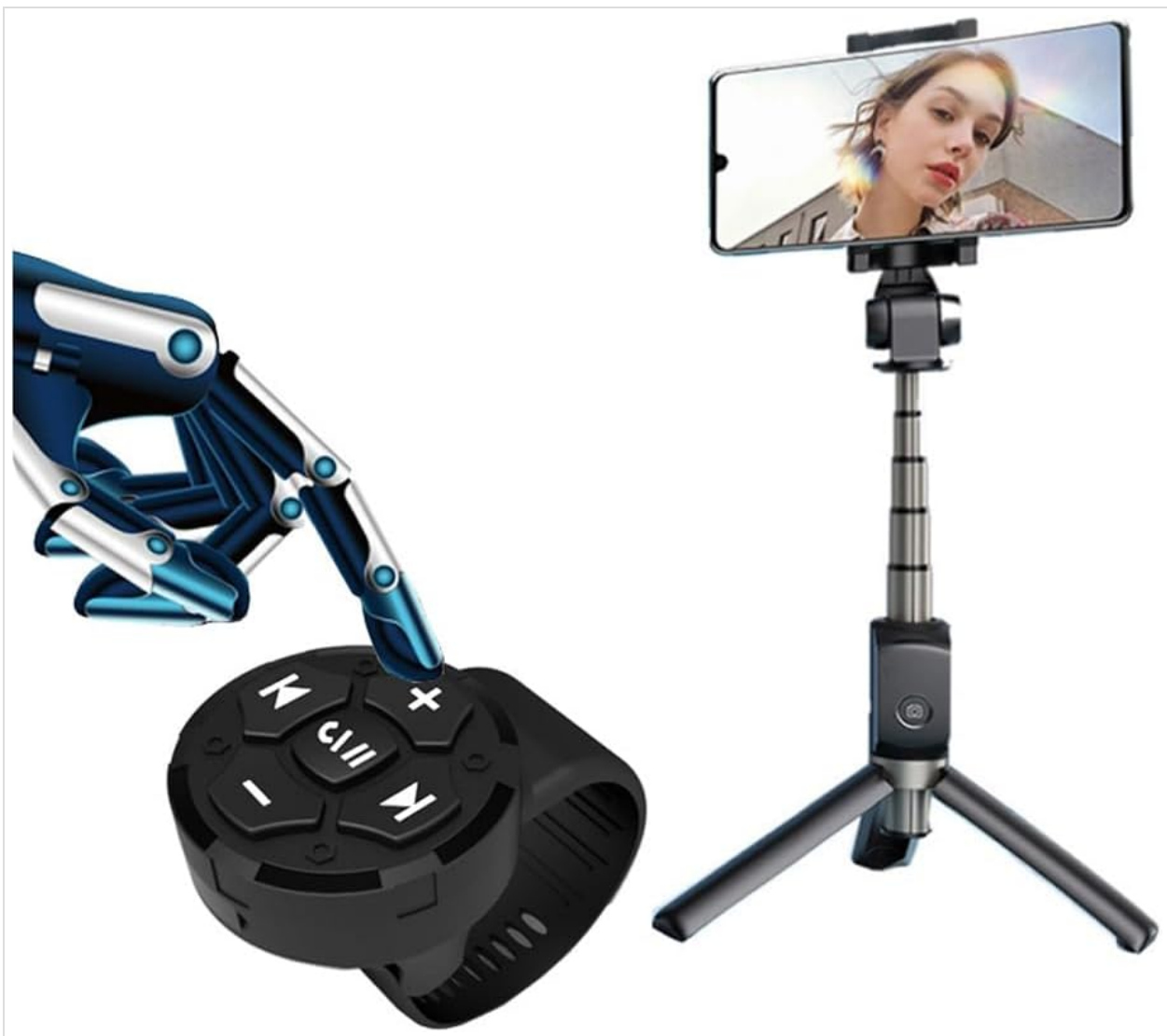


Figure 4.2: Button Functions

- **Volume + / Camera Shutter:** Increases volume, acts as camera shutter button.
- **Volume - / Camera Shutter:** Decreases volume, acts as camera shutter button.
- **Previous Song / Back to Main Page:** Skips to the previous track.
- **Next Song / Voice Assistant:** Skips to the next track, activates voice assistant with long press.
- **Play/Pause / Answer/Hang Up Call:** Plays or pauses media, answers or ends phone calls.

5. SETUP

5.1 Charging the Device

The Yosoo Media Button has a built-in 150mAh rechargeable battery. Before first use, or when the battery is low, connect the included USB cable to the charging port on the device and to a standard USB power source (e.g., computer USB port, wall adapter). The charging indicator will show the charging status and turn off when fully charged.

5.2 Bluetooth Pairing

1. Ensure the Media Button is charged.

2. Turn on the Media Button (if applicable, some devices may automatically power on when charged or a button is pressed).
3. On your smartphone or tablet, go to the Bluetooth settings.
4. Enable Bluetooth and search for available devices.
5. Select "Yosoo BT5.3" or a similar name from the list of found devices to pair.
6. Once paired, the device will be ready for use. It should automatically reconnect to the last paired device when powered on and within range.

5.3 Installation

The Yosoo Media Button features an adjustable strap for versatile installation.

Compact and Adjustable Design



The controller is compact and lightweight, with an adjustable silicone straps design that allows for quick installation on car steering wheels, bicycle/electric scooter/motorcycle handles, and more. Enjoys hands-free control wherever you go.



Figure 5.1: Compact and Adjustable Design for Various Installations



Figure 5.2: Media Button Mounted on Motorcycle Handlebars

To install:

1. Identify a suitable location on your car steering wheel, bicycle, motorcycle, or scooter handlebars.
2. Wrap the adjustable silicone strap around the chosen handle or wheel.
3. Secure the strap firmly so the button is stable and easily accessible without obstructing your view or control.

6. OPERATING INSTRUCTIONS

6.1 Music Playback Control

- **Play/Pause:** Press the central button once.
- **Next Track:** Press the right arrow button once.
- **Previous Track:** Press the left arrow button once.
- **Volume Up:** Press the '+' button once.
- **Volume Down:** Press the '-' button once.

6.2 Call Management



Figure 6.1: Call Handling with the Media Button

- **Answer Incoming Call:** Press the central button once.
- **End Call:** Press the central button once during a call.
- **Reject Incoming Call:** Long press the central button.

6.3 Voice Assistant Activation

- **Activate Voice Assistant (Siri, Google Assistant, etc.):** Long press the right arrow button.

6.4 Selfie Function

Long-lasting Battery and Easy Operation

With a built-in 150mAh rechargeable battery, the remote has low power consumption and long endurance. The large buttons are designed for an exceptional tactile experience, with blue backlighting for easy operation even in dark or dimly lit conditions.

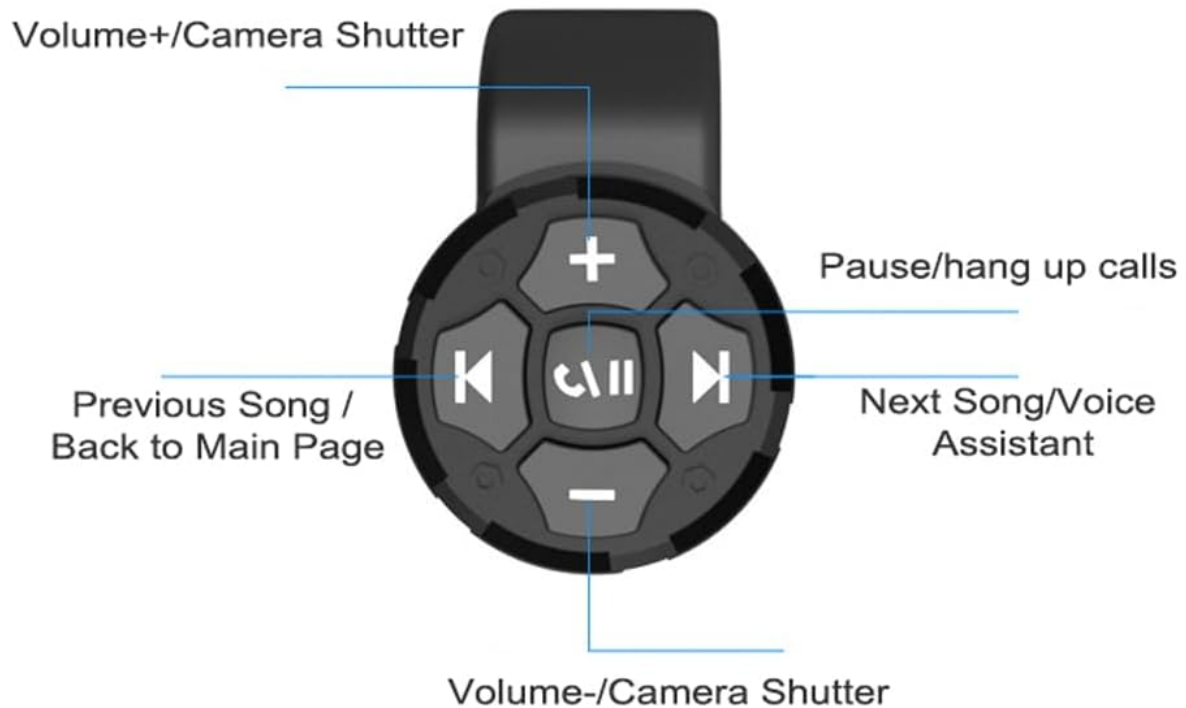


Figure 6.2: Using the Media Button for Selfies

- When your phone's camera app is open, press either the '+' or '-' volume button to trigger the camera shutter.

7. MAINTENANCE

7.1 Cleaning

To clean the device, wipe it gently with a soft, dry cloth. For stubborn dirt, a slightly damp cloth can be used, but ensure no moisture enters the charging port or button crevices. Do not use harsh chemicals, cleaning solvents, or strong detergents.

7.2 Storage

When not in use for extended periods, store the device in a cool, dry place away from direct sunlight and extreme temperatures. It is recommended to charge the device fully before storing it and to recharge it every few months to maintain battery health.

7.3 Battery Care

The built-in rechargeable battery is designed for long life. To prolong its lifespan:

- Avoid fully discharging the battery frequently.
- Avoid leaving the device connected to a charger for excessively long periods after it's fully charged.
- Operate and store the device within recommended temperature ranges.



Figure 7.1: Durable and Weatherproof Design

The device features IP67 waterproof and dustproof capabilities, making it suitable for outdoor use in various weather conditions. However, avoid prolonged submersion or exposure to high-pressure water jets.

8. TROUBLESHOOTING

If you encounter issues with your Yosoo Wireless BT5.3 Media Button, please refer to the following table for common problems and solutions:

Problem	Possible Cause	Solution
---------	----------------	----------

Problem	Possible Cause	Solution
Device does not power on.	Low battery.	Charge the device using the provided USB cable.
Cannot pair with smartphone.	Bluetooth is off on phone; device not in pairing mode; too far from phone.	Ensure Bluetooth is enabled on your phone. Make sure the device is powered on and discoverable. Bring the device closer to your phone (within 10 meters). Try restarting both devices.
Buttons are unresponsive.	Device not paired; low battery; software glitch.	Check Bluetooth connection. Recharge the device. Try turning the device off and on again.
Music/call control not working.	App compatibility; phone settings.	Ensure your music player or call app is active. Check your phone's media and Bluetooth settings. Some apps may require specific permissions.
Selfie function not working.	Camera app settings; phone compatibility.	Ensure your camera app is open and active. Some phone models or camera apps might require specific settings for volume buttons to act as shutter controls.

9. SPECIFICATIONS

Feature	Specification
Brand	Yosoo
Color	Black
Material	ABS + Silicone
Bluetooth Version	BT5.3
Bluetooth Transmission Distance	Up to 10 meters (33 feet)
Battery	Built-in 150mAh rechargeable battery
Waterproof Rating	IP67
Item Size	167 * 47 * 38mm (6.6 * 1.9 * 1.5in)
Package Weight	70g (2.5oz)

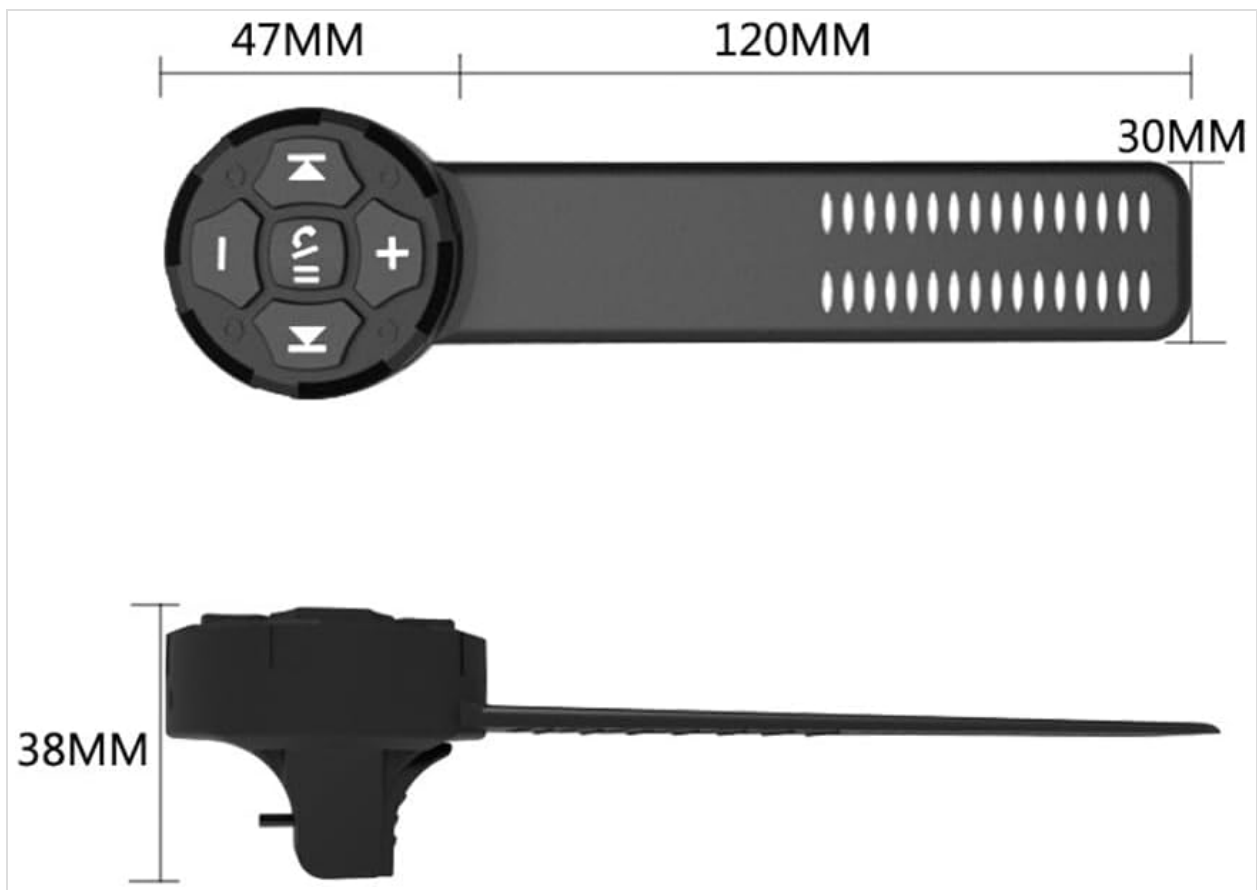


Figure 9.1: Product Dimensions

10. WARRANTY AND SUPPORT

10.1 Warranty Information

This product typically comes with a standard return policy, allowing for refunds or replacements within 30 days of purchase, subject to the retailer's terms and conditions. Please retain your proof of purchase for any warranty claims.

10.2 Customer Support

For technical support, troubleshooting assistance beyond this manual, or warranty inquiries, please contact the retailer or the Yosoo customer service department through their official channels. Refer to the packaging or the retailer's website for specific contact information.