

[Manuals.plus](#) /

> [SYLVOX](#) /

> SYLVOX Mobile TV Floor Stand User Manual for 65-75 Inch TVs

SYLVOX B0FD3C5CFN

SYLVOX Mobile TV Floor Stand User Manual

Model: B0FD3C5CFN for 65-75 Inch TVs

INTRODUCTION

This manual provides detailed instructions for the assembly, operation, maintenance, and troubleshooting of your SYLVOX Mobile TV Floor Stand. This heavy-duty rolling TV stand is designed for 65-75 inch flat or curved televisions, supporting a maximum load of 132 lbs (60 kg). It features lockable wheels for mobility and stability, universal VESA compatibility, and integrated cable management.

Please read this manual thoroughly before installation and use to ensure safe and correct operation.

SAFETY INFORMATION

- **Weight Capacity:** Do not exceed the maximum load capacity of 132 lbs (60 kg). Overloading can cause instability and potential injury.
- **TV Size:** This stand is designed for 65-75 inch TVs. Ensure your TV's size and weight are within the specified limits.
- **VESA Compatibility:** Verify your TV's VESA mounting pattern is within the supported range (200x200mm to 1200x600mm).
- **Assembly:** Assemble the stand on a soft, clean surface to prevent scratches. Ensure all screws are tightened securely before mounting the TV.
- **Stability:** Always engage the locking wheels when the stand is in a stationary position to prevent accidental movement.
- **Movement:** When moving the stand, ensure the TV is securely attached and move slowly and carefully, especially over uneven surfaces.
- **Children and Pets:** Keep children and pets away from the stand during assembly and ensure the TV is securely mounted to prevent tipping.

PACKAGE CONTENTS

Please check that all components are present and undamaged. If any parts are missing or damaged, contact customer support.

- Main Frame Components (Base, Vertical Columns, Crossbars)
- TV Mounting Brackets
- Lockable Caster Wheels (x4)
- Hardware Kit (various screws, washers, spacers for assembly and TV mounting)
- Cable Management Box/Clips
- Assembly Tools (e.g., Allen wrench, small spanner)
- Instruction Manual

SETUP AND ASSEMBLY

Follow these steps carefully for proper assembly. It is recommended to have two people for TV mounting.

Step 1: Assemble the Base and Vertical Columns

1. Attach the caster wheels to the base legs. Ensure two of the wheels are lockable and positioned as per the diagram.
2. Connect the vertical support columns to the base using the provided screws and tools.
3. Secure any crossbars or shelves to the vertical columns as indicated in the assembly diagram.



Image: Initial assembly of the stand's base and vertical supports.

Step 2: Attach TV Mounting Brackets to Your TV

1. Carefully place your TV face down on a soft, clean surface.
2. Identify the VESA mounting holes on the back of your TV.
3. Select the appropriate screws, washers, and spacers from the hardware kit that fit your TV's VESA pattern.
4. Attach the TV mounting brackets to the back of your TV, ensuring they are level and securely fastened. Do not overtighten.

Wide TV Compatibility

VESA mounting range

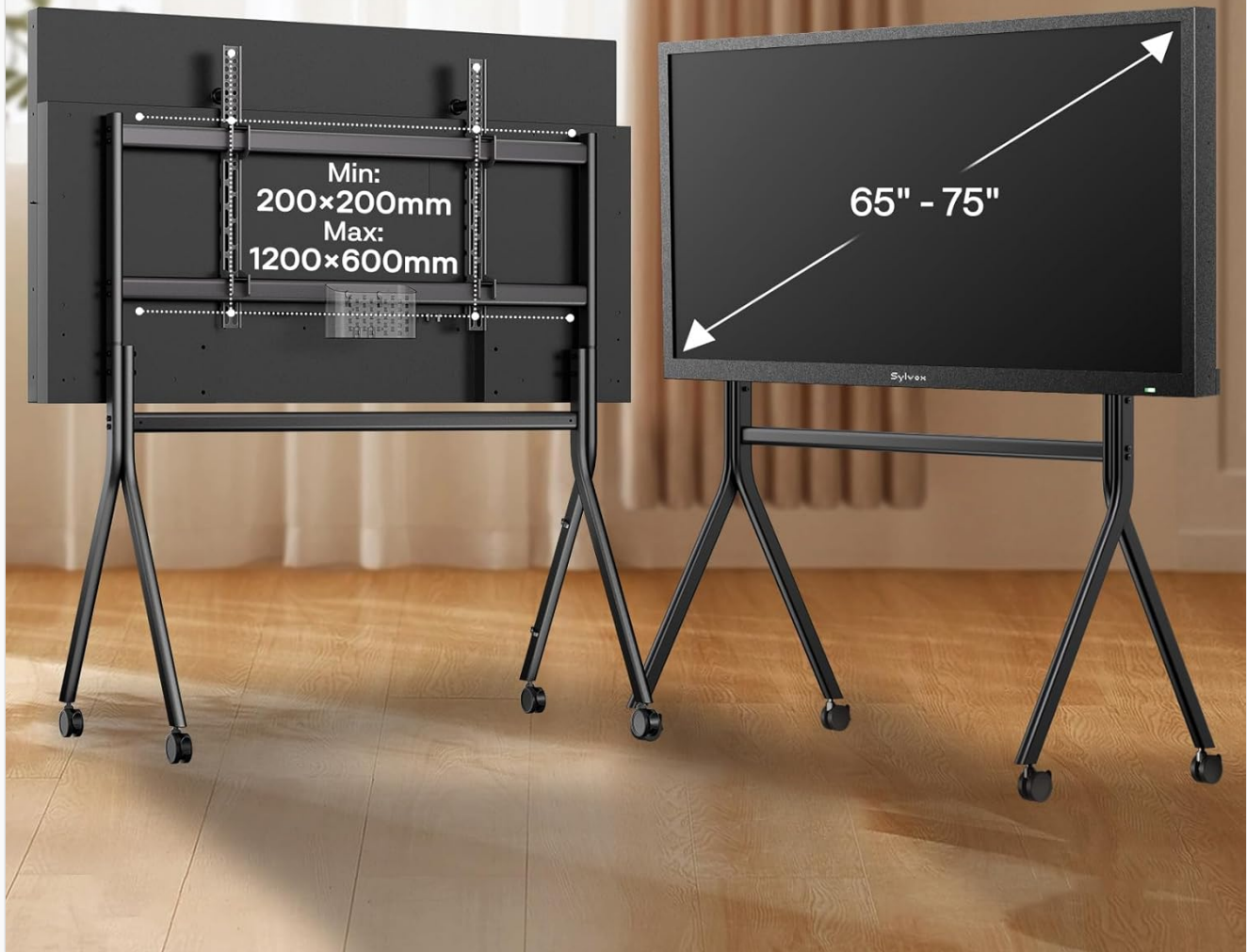


Image: Diagram showing VESA mounting hole patterns and bracket attachment.

Step 3: Mount the TV onto the Stand

1. With assistance, carefully lift the TV and hook the attached mounting brackets onto the main frame of the stand.
2. Ensure the TV is centered and level.
3. Secure the TV to the stand using the safety screws or locking mechanisms on the brackets.

Installation Video Guide

Your browser does not support the video tag.

Video: Official SYLVOX Rolling TV Stand Installation Guide. This video demonstrates the step-by-step assembly process for the TV stand.

OPERATING INSTRUCTIONS

Mobility and Stability

The stand is equipped with four heavy-duty caster wheels for easy movement. Two of these wheels are lockable to ensure stability when the stand is stationary.

- **To Move:** Unlock the two lockable wheels by flipping their levers. Gently push the stand to your desired location.
- **To Secure:** Once in position, engage the locks on the two lockable wheels to prevent unintended movement.

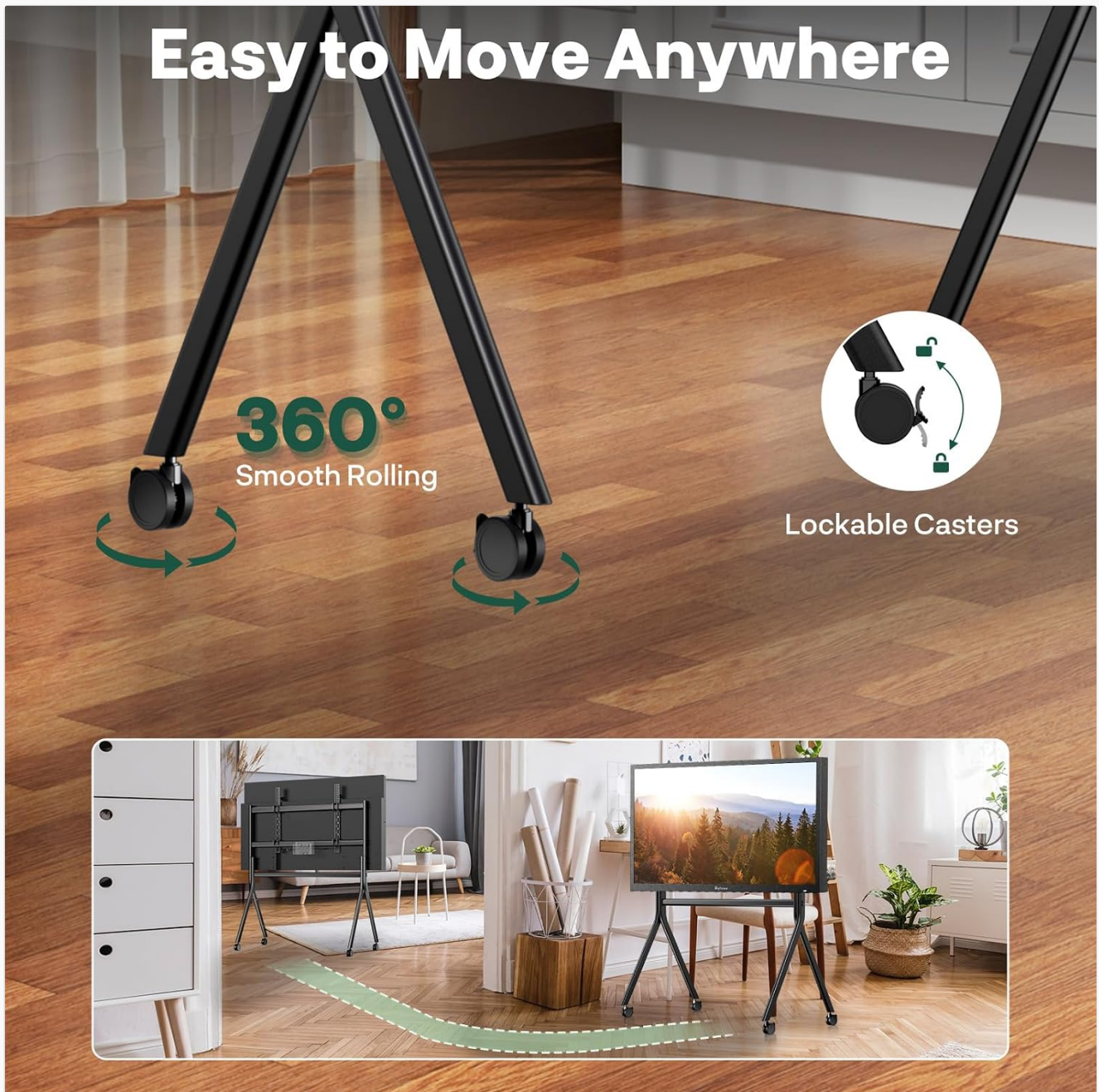


Image: Close-up of lockable casters and illustration of stand mobility.

Cable Management

Utilize the integrated cable management features to keep your setup tidy and prevent cable tangles.

- Route TV and device cables through the designated cable clips or channels on the stand's frame.
- Use the compact storage box (if included) to house small streaming devices or remote controls, keeping them out of sight.

Safe Cables Management



Image: Example of cables neatly routed through the stand's frame.

MAINTENANCE

- **Cleaning:** Wipe the stand with a soft, dry cloth. For stubborn marks, use a slightly damp cloth and mild detergent, then dry thoroughly. Avoid abrasive cleaners.
- **Hardware Check:** Periodically check all screws and bolts to ensure they remain tight. Retighten if necessary.
- **Caster Wheels:** Keep the caster wheels free of debris (hair, dust, etc.) to ensure smooth rolling. Lubricate if needed.
- **Environmental Conditions:** While the stand is robust, prolonged exposure to extreme weather conditions (e.g., heavy rain, direct sunlight for extended periods) may affect its finish and longevity. If used outdoors, consider covering it when not in use.

TROUBLESHOOTING

Problem	Possible Cause	Solution
Stand is unstable or wobbles.	Screws are loose; TV is too heavy or not centered; uneven floor.	Check and tighten all assembly screws. Ensure TV weight is within limits and centered. Move to a level surface or use shims if necessary.
Caster wheels do not roll smoothly.	Debris caught in wheels; wheels are locked.	Clear any debris from the wheels. Ensure lockable wheels are in the unlocked position.
TV does not fit the mounting brackets.	Incorrect VESA pattern; wrong screws/spacers used.	Verify your TV's VESA pattern matches the stand's compatibility (200x200mm to 1200x600mm). Use the correct screws and spacers from the hardware kit.
Missing parts or damaged components.	Packaging error or shipping damage.	Contact SYLVOX customer support immediately for assistance.

SPECIFICATIONS

Feature	Detail
Brand	SYLVOX
Model	B0FD3C5CFN
Mounting Type	Floor Mount
Movement Type	Rotate (implies swivel, not full rotation)
Material	Alloy Steel
Color	Black
Compatible Devices	Television
Minimum Supported Screen Size	60 Inches
Maximum Supported Screen Size	120 Inches <i>(Note: Product title specifies 65-75 inches, but specifications list up to 120 inches. User should verify VESA for larger TVs.)</i>
Max Load Capacity	132 lbs (60 kg)
VESA Compatibility	200x200mm to 1200x600mm
Manufacturer	Kontech

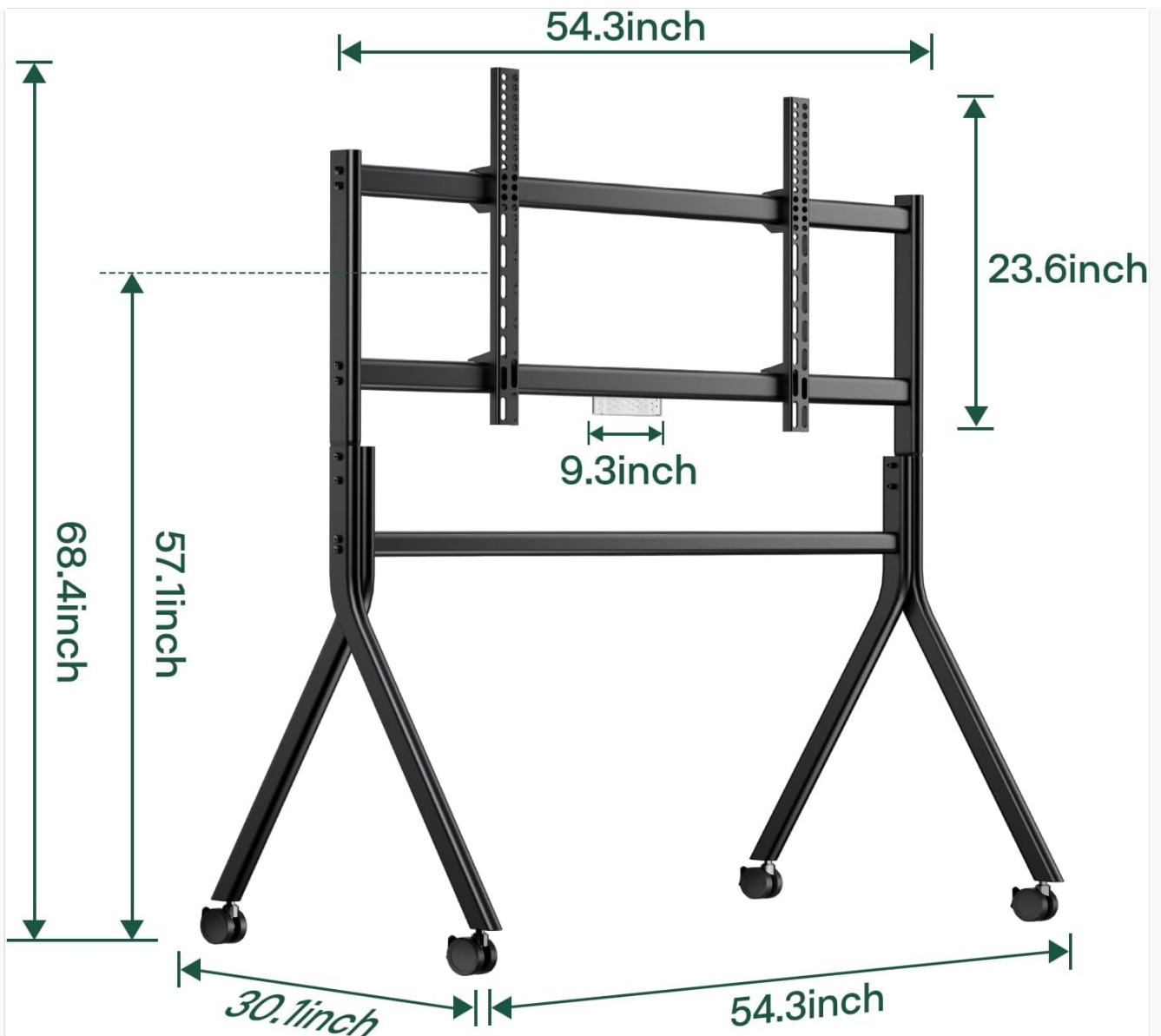


Image: Technical drawing showing the dimensions of the TV stand.

WARRANTY AND SUPPORT

Warranty Information

This SYLVOX TV Floor Stand comes with a **1-Year Warranty** from the date of purchase. This warranty covers manufacturing defects and material flaws under normal use. It does not cover damage caused by misuse, accidents, unauthorized modifications, or exceeding the specified weight capacity.

For warranty claims, please retain your proof of purchase.

Customer Support

If you encounter any issues during assembly or operation, or if you have questions about your product, please contact the seller, FutureIntelligence, through your purchase platform. They can provide assistance and guidance.

For general inquiries about SYLVOX products, you may visit the official SYLVOX store on Amazon: [SYLVOX Amazon Store](#)

