



Manuals.plus /

› BORNOON /

› BORNOON Large Shoe Cabinet 4-Flip Drawer Organizer Instruction Manual

## BORNOON 4-Flip

# BORNOON Large Shoe Cabinet 4-Flip Drawer Organizer

Model: 4-Flip

### IMPORTANT SAFETY INFORMATION

Please read and understand all safety instructions before assembly and use. Failure to follow these instructions may result in injury or damage to the product.

- **Anti-Tip Device:** Always attach the provided anti-tip device to a wall stud to prevent the cabinet from tipping over. This is crucial for safety, especially in households with children or pets.
- **Supervision:** Do not allow children to climb on or play with the cabinet.
- **Secure Assembly:** Ensure all screws, bolts, and fasteners are securely tightened during assembly and periodically checked thereafter.
- **Level Surface:** Place the cabinet on a stable and level surface to prevent wobbling or instability.
- **Small Parts:** Keep all small parts and hardware out of reach of children during the assembly process.

# Security and Stability to Ensure the Safety of Your Family

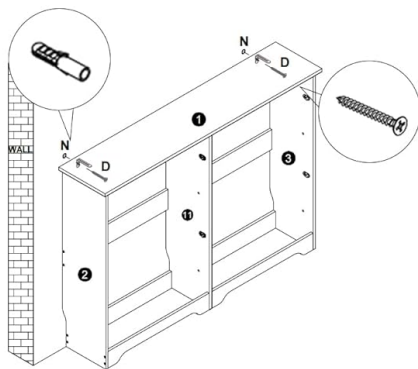


Illustration demonstrating the importance of securing the shoe cabinet to the wall using the anti-tip device to prevent tipping, especially in households with children.

## PACKAGE CONTENTS

Before beginning assembly, carefully unpack all components and verify that all parts are present and undamaged. If any parts are missing or damaged, please contact BORNOON customer support for assistance.

- Cabinet Panels (Side panels, top panel, bottom panel, back panels)
- Flip Drawer Components (Front panels, internal dividers, mechanisms)
- Hardware Pack (Screws, dowels, cam locks, handles, anti-tip kit)
- Assembly Instructions Manual

## ASSEMBLY INSTRUCTIONS (SETUP)

Follow these steps carefully for proper assembly. A Phillips head screwdriver is required (not included).

1. **Unpack and Organize:** Unpack all components and lay them out on a clean, soft surface (e.g., a blanket or carpet) to prevent scratches.
2. **Identify Parts:** Refer to the included parts diagram to identify each component.
3. **Assemble Main Frame:** Connect the side panels to the top and bottom panels using the designated hardware (e.g., dowels and cam locks). Ensure connections are secure.
4. **Install Back Panels:** Slide the back panels into the grooves of the main frame. Secure them with small nails or screws if provided.
5. **Assemble Flip Drawers:** For each flip drawer, attach the internal dividers to the drawer front panels.
6. **Install Drawer Mechanisms:** Secure the flip drawer mechanisms to the inside of the cabinet frame according to the instructions.
7. **Attach Flip Drawers:** Carefully attach the assembled flip drawers to the installed mechanisms. Test their smooth operation.
8. **Attach Handles:** Secure the decorative handles to the front of each flip drawer.
9. **Install Anti-Tip Device:** Attach the anti-tip device to the top rear of the cabinet and securely fasten it to a wall stud using appropriate wall anchors.



### Stable Curved Leg

Elegant design provides enhanced support and balance

### Sophisticated Handle

Elegant detail that adds style and ease to every pull



### Flip Drawers

Space-saving design & versatile storage

Detailed view of the cabinet's stable curved leg, sophisticated handle, and the space-saving flip drawer design.

## USING YOUR SHOE CABINET (OPERATING)

The BORNOON Large Shoe Cabinet is designed for efficient and organized shoe storage in various home environments.

### Storing Shoes

- Each of the four flip drawers features two adjustable tiers for versatile storage.
- For standard shoes such as sneakers, sandals, or low heels, utilize both tiers within a drawer.
- For taller footwear like boots or high heels, the internal shelf can be easily removed to create a single, larger compartment within the drawer.
- To access, gently pull the handle to open a flip drawer. Place shoes on the tiers, then push the drawer closed until it latches securely.



Close-up view of a flip drawer showing the two-position adjustable and removable shelf feature, allowing storage of different shoe types like sneakers or boots.

# Close-Open



## 4 Doors Double layer shoe cabinet

Image demonstrating the open and closed positions of the flip drawers, showcasing the internal shoe storage.

### Top Surface and Open Compartments

The sturdy top surface of the cabinet can be utilized for displaying decorative items, placing small storage baskets, or holding frequently accessed items like keys or mail. The open compartments located above the flip drawers provide additional accessible storage space.



The BORNOON shoe cabinet in a home setting, displaying shoes stored in the flip drawers and decorative items on the top surface.

## CARE AND MAINTENANCE

Proper care will ensure the longevity and appearance of your BORNOON shoe cabinet.

- **Cleaning:** Clean the cabinet surfaces with a soft, slightly damp cloth. Avoid using harsh chemicals, abrasive cleaners, or furniture polish that may damage the finish.
- **Fastener Check:** Periodically inspect all assembly fasteners and tighten them as needed to maintain the cabinet's stability and structural integrity.
- **Environmental Conditions:** Avoid exposing the cabinet to excessive moisture, humidity, or direct sunlight, which can lead to warping, discoloration, or damage to the material.
- **Minor Scratches:** For minor surface scratches, a touch-up pen matching the cabinet's color may be used. Test in an inconspicuous area first.

## TROUBLESHOOTING

Refer to this section for common issues and their solutions.

Problem	Solution
Cabinet feels unstable or wobbly.	Ensure the anti-tip device is securely installed and anchored to a wall stud. Check and tighten all assembly screws. Verify the cabinet is placed on a completely level surface.
Flip drawers do not close or open smoothly.	Verify that shoes or other items are not obstructing the closing mechanism. Check if the internal shelf is correctly positioned or removed if storing taller items. Ensure drawer mechanisms are properly aligned and free of debris.
Missing or damaged parts upon delivery.	Contact BORNOON customer support immediately. We offer free replacement parts for any missing or damaged components.
Surface discoloration or damage.	Avoid direct sunlight and excessive moisture. Use a soft cloth for cleaning. For minor damage, a touch-up pen may be used.

## PRODUCT SPECIFICATIONS

- **Brand:** BORNOON
- **Model:** 4-Flip
- **Color:** White
- **Product Dimensions:** 10.2"D x 47.2"W x 34.3"H
- **Material:** Engineered Wood
- **Storage Capacity:** Approximately 20–24 pairs of shoes
- **Special Features:** 4 Flip Drawers, Adjustable Shelves, Anti-Tip Device, Free Replacement Parts
- **Assembly Required:** Yes
- **Mounting Type:** Freestanding (with wall anchor)

## WARRANTY AND CUSTOMER SUPPORT

BORNOON is committed to providing high-quality products and excellent customer service. We offer lifetime customer support and free replacement parts for any missing or damaged components, no questions asked.

For assistance, please refer to the contact information provided with your purchase or visit the official BORNOON website. You can also find more information and products at our Amazon store:

**Visit the BORNOON Store on Amazon**