

Hagibis UC-1102AG

Hagibis UC-1102AG Knob USB C Hub Instruction Manual

Model: UC-1102AG

1. INTRODUCTION

This manual provides comprehensive instructions for the Hagibis UC-1102AG USB C Hub, a versatile multi-function docking station. It integrates essential connectivity features with a unique volume knob, customizable RGB lighting, and convenient shortcut buttons. Designed to enhance your desktop experience, this hub offers expanded port options for various devices, including laptops, tablets, and more.



Figure 1: Overview of the Hagibis UC-1102AG Knob USB C Hub.

2. SETUP GUIDE

Follow these steps to set up your Hagibis UC-1102AG USB C Hub:

- 1. Connect to Host Device:** Use the provided USB-C to USB-C cable to connect the hub's HOST port to a compatible USB-C port on your laptop, tablet, or other host device. Ensure the connection is secure.
- 2. Optional Power Connection:** If your host device requires additional power or if you are connecting power-intensive peripherals, connect a 5V power adapter (not included) to the USB-C (Power Port 5V)

on the hub.

3. **Peripheral Connection:** Connect your desired peripherals (e.g., keyboard, mouse, external hard drive, headphones, SD cards) to the corresponding ports on the hub.
4. **Driver Installation:** The hub is generally plug-and-play and does not require additional drivers for most operating systems. If prompted, follow on-screen instructions.



Figure 2: Port layout and connections on the Hagibis UC-1102AG.

3. OPERATING INSTRUCTIONS

3.1. Volume Knob Functionality

The central knob provides intuitive control over your system's audio:

- **Rotate Clockwise:** Increases system volume.
- **Rotate Counter-clockwise:** Decreases system volume.
- **Press Down:** Toggles mute/unmute for system audio.



Figure 3: Demonstrating the volume knob's rotation and press functions.

3.2. Shortcut Buttons

The four buttons surrounding the volume knob offer quick access to specific system functions:

- **Lock Screen Key (Upper Left):**

- *Windows:* Short press to lock the screen.
- *Mac:* Long press to lock the screen.

- **Play/Pause Key (Upper Right):** Controls media playback (play, pause) for compatible applications.

- **Light Switch Key (Lower Left):** Taps to cycle through different RGB lighting modes around the knob.

- **Screenshot Key (Lower Right):**

- *Windows:* Short press to take a screenshot.
- *Mac:* Long press to take a screenshot.

Shortcut Buttons Enhance Efficiency



Lock Screen Key (Upper Left)

Lock the screen, a short press on Windows takes effect and a long press on Mac takes effect.



Play/Pause Key (Upper Right)

Controls the play/pause status of media playback devices.



Light Switch Key (Lower Left)

Tap Loop to switch lighting modes



Screenshot Key (Lower Right)

Take a screenshot of the system, a short press on Windows takes effect, and a long press on Mac takes.

Figure 4: Layout of the shortcut buttons.

Take a screenshot of the system, a short press on Windows takes effect, and a long press on Mac takes.

The above are the default functions of the screenshot button and lock button, The following are the key combinations corresponding to the shortcut keys.





Shortcut Key Mapping Table	Windows	Mac
Press the lock screen key 	Win+L	⌘+L
Hold down the lock screen key 	Win+Ctrl+Q	⌘+Ctrl+Q
Press the screenshot key 	Win+Print Screen	⌘+F13
Hold down the screenshot key 	Win+Ctrl+3	⌘+Ctrl+3

Figure 5: Detailed shortcut key mapping for Windows and Mac operating systems.

3.3. Port Usage

The hub provides a variety of ports for expanded connectivity:

- **USB-C (5Gbps):** For connecting USB-C peripherals requiring high-speed data transfer.
- **USB 3.0 (5Gbps) Ports (x2):** For connecting USB-A peripherals such as external drives, keyboards, and mice, offering data transfer speeds up to 5Gbps.
- **USB 2.0 (480Mbps) Port:** Suitable for connecting devices like keyboards, mice, or other peripherals where high-speed data transfer is not critical.
- **3.5mm Audio Jacks (Headphone, Microphone, Headset):** Connect your audio devices for input and output. The headset jack supports combined headphone and microphone functionality.
- **SD/TF 3.0 Card Slots:** Supports UHS-I fast transfer for SD and Micro SD cards, allowing simultaneous reading of both card types.

5Gbps High Speed Transmission

USB-C and USB3.0 interface
Transmission speed up to 5Gbps

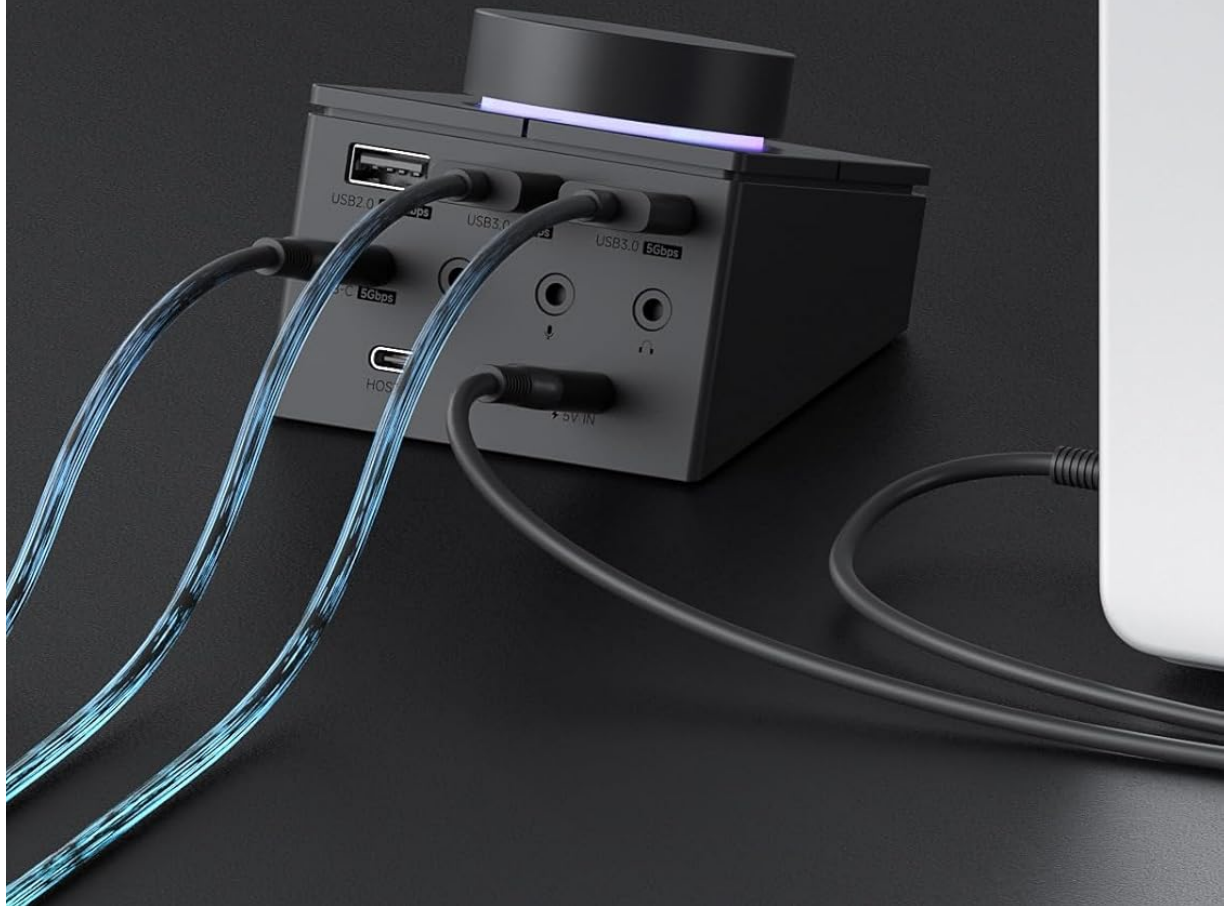


Figure 6: High-speed data transmission via USB-C and USB 3.0 ports.

3.5mm Audio Port Connecting Multiple Devices

3 x 3.5mm jacks

Connects to microphone/headphone/headphone microphone



Figure 7: Connecting multiple audio devices to the 3.5mm audio ports.

SD/TF 3.0 Dual Card Expansion

UHS-I fast transfer, support dual card reading at the same time.



Figure 8: SD/TF 3.0 dual card expansion slots in use.

3.4. RGB Ambient Lighting

The hub features RGB ambient lighting around the volume knob. Use the **Light Switch Key** (Lower Left) to cycle through various lighting modes, adding a visual element to your desktop setup.

RGB Ambient Lighting Add Color to Your Desktop

Lighting mode can be switched with the light key
Dynamic softness without glare



Figure 9: RGB ambient lighting feature.

4. MAINTENANCE

To ensure the longevity and optimal performance of your Hagibis UC-1102AG USB C Hub, please follow these maintenance guidelines:

- **Cleaning:** Use a soft, dry cloth to gently wipe the surface of the hub. Avoid using liquid cleaners, aerosols, or harsh chemicals, as these can damage the device.
- **Storage:** Store the hub in a cool, dry place away from direct sunlight and extreme temperatures.
- **Handling:** Avoid dropping the device or subjecting it to strong impacts. Do not attempt to disassemble the hub, as this will void the warranty.
- **Port Care:** Keep all ports free from dust and debris. Use compressed air if necessary to clear any obstructions.

5. TROUBLESHOOTING

If you encounter issues with your Hagibis UC-1102AG USB C Hub, refer to the following common solutions:

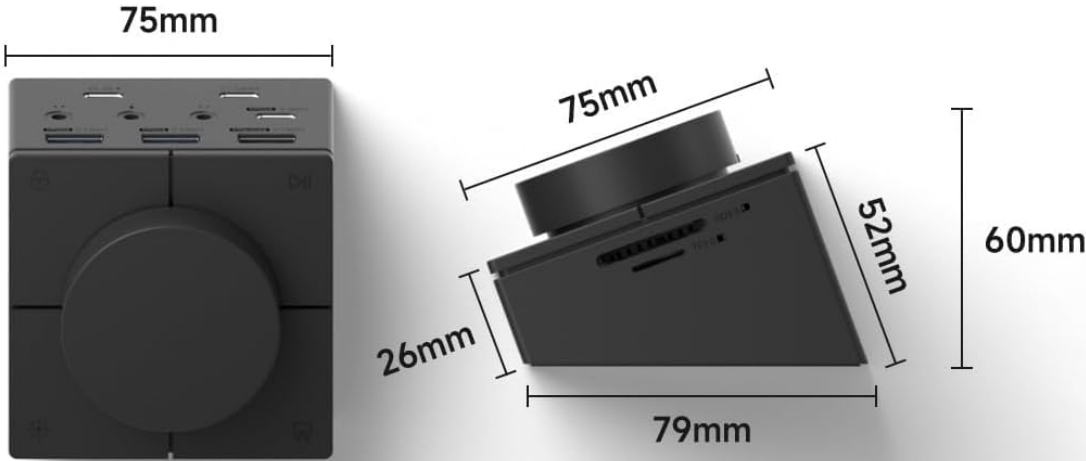
- **Device Not Recognized:**
 - Ensure the USB-C cable is securely connected to both the hub's HOST port and your computer's USB-C port.
 - Try connecting the hub to a different USB-C port on your computer.
 - Restart your computer and reconnect the hub.
 - Verify that your computer's USB-C port supports data transfer and display output (if applicable).
- **Erratic Volume Knob or Unresponsive Buttons:**
 - Disconnect and reconnect the hub.
 - Ensure your operating system's audio settings are correctly configured.
 - Note that the shortcut buttons have fixed functions and are not programmable.
- **No Audio Output/Input:**
 - Check that your headphones/microphone are fully plugged into the correct 3.5mm jack on the hub.
 - Verify your computer's sound settings to ensure the hub's audio output/input is selected as the default device.

- Test with different audio devices to rule out a faulty peripheral.
- **Slow Data Transfer Speeds:**
 - Ensure you are using the USB 3.0 (5Gbps) ports for high-speed devices.
 - The performance can be affected by the host device's USB-C port capabilities and the quality of the connected cable.
 - Avoid connecting multiple high-bandwidth devices simultaneously if experiencing slowdowns.

6. SPECIFICATIONS

Brand	Hagibis
Model Number	UC-1102AG
Product Dimensions	3.1 x 2.9 x 2.3 inches (79 x 75 x 60 mm)
Item Weight	14.8 ounces
Color	Black AG
Hardware Interface	USB Type C
Special Feature	Indicator Light, Volume Knob, Shortcut Buttons, RGB Lighting
Compatible Devices	MacBook Pro/Air, Mac mini, Mac Studio, iPad Pro, iMac, Dell XPS13/15, Lenovo Yoga series, Microsoft Surface series, and other USB-C/USB 4/Thunderbolt 3/4 laptops, tablets, mobile phones, Steam Deck.
Manufacturer	Shanghai Xinxie Industrial Co., Ltd.

Product Parameters



Brand: HAGiBiS

Name: USB-C Hub

Color: Black

Material: ABS

Figure 10: Product dimensions of the Hagibis UC-1102AG.

7. WARRANTY & SUPPORT

7.1. Warranty Information

Hagibis products are covered by a manufacturer's warranty. For specific warranty terms and conditions, please refer to the warranty card included with your product or visit the official Hagibis website. Please retain your proof of purchase for warranty claims.

7.2. Customer Support

For further assistance, technical support, or inquiries regarding your Hagibis UC-1102AG USB C Hub, please visit the official Hagibis website or contact their customer service department. Contact information

can typically be found on the product packaging or the official website.

Official Hagibis Store: <https://www.amazon.com/stores/Hagibis/page/AC3D0178-999A-46CD-BA6C-9B107EC614F4>