

## Manuals+

[Q & A](#) | [Deep Search](#) | [Upload](#)

[manuals.plus](#) /

> [Virubi](#) /

> [Virubi 24-inch Bathroom Vanity with Sink \(Model N725P280631\) Instruction Manual](#)

### Virubi N725P280631

# Virubi 24-inch Bathroom Vanity with Sink

Model: N725P280631

Brand: Virubi

## 1. INTRODUCTION

This manual provides detailed instructions for the assembly, operation, maintenance, and troubleshooting of your new Virubi 24-inch Bathroom Vanity with Sink. Please read this manual thoroughly before installation and retain it for future reference. This vanity is designed for small to medium-sized bathrooms, offering a modern aesthetic and practical storage solutions.



Figure 1: Virubi 24-inch white bathroom vanity with sink, showcasing its internal storage capabilities.

## 2. SAFETY INFORMATION

---

- Always ensure all parts are present and undamaged before beginning assembly.
- Follow all assembly steps in the correct order. Do not skip steps.
- Use appropriate tools and wear safety gear (e.g., gloves, eye protection) during assembly.
- Do not overtighten screws, as this may damage the material.
- Ensure the vanity is placed on a level surface to prevent tipping.
- Keep small parts away from children during assembly to prevent choking hazards.

## 3. SETUP & INSTALLATION

---

### 3.1 Pre-Installation Checks

- **Measure Your Space:** Before purchasing or installing, accurately measure your bathroom space. Ensure sufficient clearance for opening doors and drawers.
- **Plumbing Compatibility:** Verify that the vanity's plumbing cutouts align with your existing water supply and drain lines to avoid additional modifications.
- **Clearance:** Maintain a minimum of 18 inches of clear space between the toilet center and the vanity edge for comfortable use and compliance with local codes.

---

*Video 1: General guide on measuring and selecting bathroom vanities, including considerations for space and plumbing compatibility.*

### 3.2 Assembly

Your Virubi vanity comes with an installation instruction manual. Follow the clear and logical illustrations provided in that manual to complete the assembly. Typically, assembly takes approximately one hour.

- All necessary hardware for assembly is included.
- The vanity features a freestanding structure with elevated feet, ensuring stability and ease of cleaning underneath.

**Unit:inch**

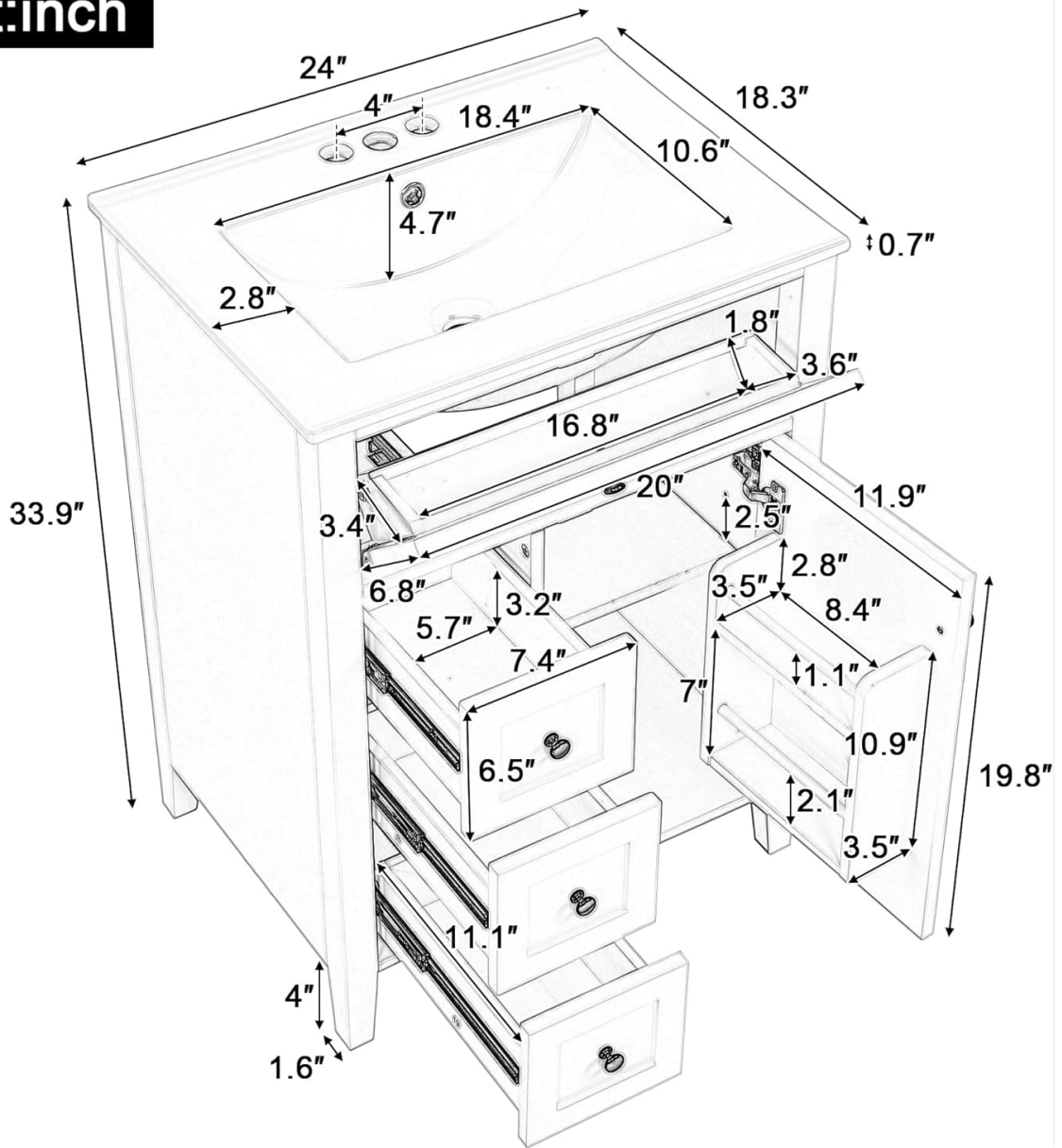


Figure 2: Detailed dimensions of the 24-inch bathroom vanity, crucial for planning installation.



*Figure 3: Front view of the assembled vanity, showcasing its modern design.*

Unit:inch

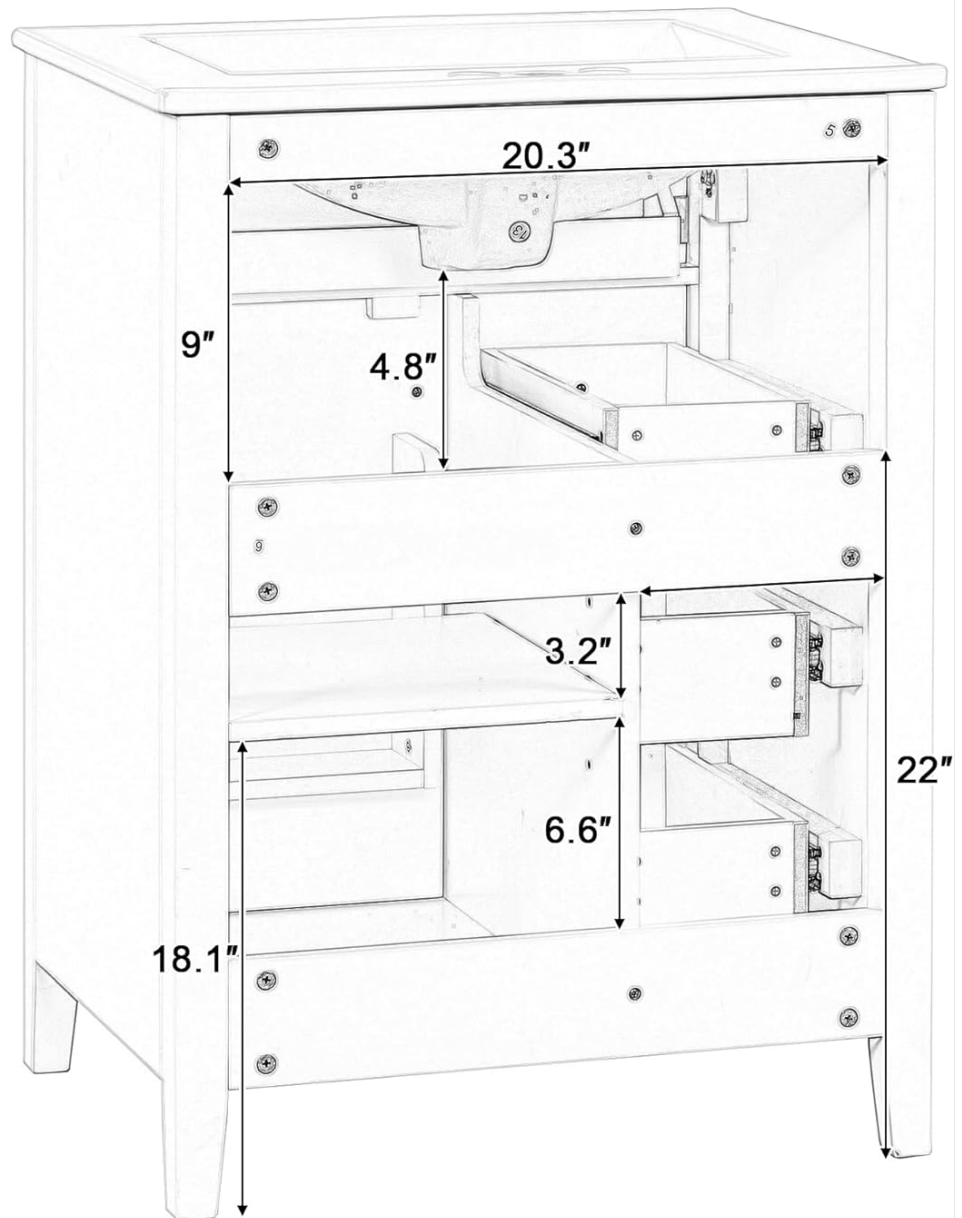


Figure 4: Top-down view of the vanity with doors and drawers open, illustrating internal layout.

## 4. OPERATING INSTRUCTIONS

### 4.1 Storage Features

The vanity is designed with a combination of drawers and cabinet space to keep your bathroom essentials organized.

- **Flip-Out Drawer:** The top drawer features a unique tilt-out design for easy access to frequently used items like toothbrushes or small toiletries.
- **Adjustable Shelf:** The cabinet on the right includes an adjustable shelf, allowing you to customize the space to accommodate items of various sizes.
- **Soft-Closing Doors:** The cabinet doors are equipped with soft-close hinges to ensure quiet operation and prevent slamming, enhancing user experience.



## Separate Ceramic Basin



**Pre-drilled Three  
Faucet Holes**



**Chrome Finish  
Overflow**



**Compatible with 4"  
Centerset Faucet  
(not included)**

*Figure 5: Illustration of the vanity's ample storage, including the tip-out drawer and adjustable shelf.*

*Video 2: Demonstration of a similar bathroom vanity's features, including soft-closing doors and various storage options. Note: This video features a 36-inch model, but the operational aspects are similar.*

### 4.2 Ceramic Sink

The vanity includes a ceramic sink with a smooth, waterproof finish that resists water stains. It features pre-drilled three holes for a 4-inch centerset faucet (faucet not included) and an overflow with a metal circle to prevent water from spilling over.

# Durable & Long-lasting Use



Solid Wood  
Frame



High Quality  
MDF Board



Painted Finish



Figure 6: Close-up view of the ceramic basin, highlighting faucet holes and overflow.

## 5. MAINTENANCE & CARE

### 5.1 General Cleaning

- **Surfaces:** Wipe down the vanity surfaces (MDF and solid wood) with a soft, damp cloth and mild soap. Avoid abrasive cleaners or harsh chemicals that can damage the finish.
- **Ceramic Sink:** Clean the ceramic sink regularly with a non-abrasive bathroom cleaner. Rinse thoroughly with water after cleaning.
- **Spills:** Promptly wipe up any spills to prevent water damage or staining, especially on wooden components.

### 5.2 Long-Term Care

- Avoid placing hot items directly on the vanity surface without protection.
- Periodically check all hardware and tighten if necessary to ensure stability.
- Ensure proper ventilation in the bathroom to minimize humidity, which can affect wood and MDF components.

# Product Details



Figure 7: Visual representation of the vanity's construction materials, emphasizing durability.

## 6. TROUBLESHOOTING

### 6.1 Door Alignment

If the cabinet doors appear misaligned or do not close properly, you can adjust the concealed hinges. Most hinges allow for three-way adjustment:

- **Side-to-Side Adjustment:** Use the eccentric screw to adjust the gap between the door and the cabinet.
- **Depth Adjustment:** Adjust the door overlay by turning the front screw.
- **Height Adjustment:** Loosen the screws on the mounting plate to adjust the door's vertical position, then retighten.

*Video 3: A general guide on how to adjust cabinet door hinges for proper alignment. This video demonstrates common adjustment methods applicable to many types of concealed hinges.*

### 6.2 Loose Hardware

If any handles, knobs, or other hardware become loose, gently tighten them with the appropriate screwdriver.



Avoid overtightening.



Figure 8: Close-up of various product details, including hinges and handles, which may require occasional adjustment.

## 7. SPECIFICATIONS

Feature	Detail
Brand	Virubi

Model Name	N725P280631
Color	White
Overall Product Dimensions	24"W x 18.3"D x 33.9"H
Item Weight	84.4 pounds
Material	MDF Board + Solid Rubber Wood + Ceramic
Mounting Type	Freestanding (Floor Mount)
Number of Sinks	Single Sink
Sink Type	Undermount; Drop-In
Faucet Mount	4" (faucet not included)
Number of Doors	1
Number of Drawers	4 (including 1 flip-out drawer)
Number of Shelves	3 (adjustable)
Capacity	150 lbs
Assembly Required	Yes

## 8. WARRANTY & SUPPORT

---

An installation instruction manual is shipped with the product. If you encounter any problems with the item, please feel free to contact our customer service. We are committed to replying to you within 24 hours to assist with any issues or concerns.