



[Manuals.plus](#) /

> [Merax](#) /

> Merax White TV Stand (Model FFCATVStand26021108) Instruction Manual

Merax FFCATVStand26021108

Merax White TV Stand (Model FFCATVStand26021108) Instruction Manual

Welcome to your new Merax TV Stand. This manual provides essential information for assembly, usage, and maintenance.

IMPORTANT SAFETY INFORMATION

Exercise caution around sharp edges during assembly and handling. Always assemble and secure the TV Stand properly to prevent tip-over risks. Ensure the stand is placed on a stable, level surface.

PACKAGE CONTENTS

Before beginning assembly, ensure all parts are present and undamaged. Carefully unpack all components and compare them against the parts list provided in your separate assembly guide.

- Television Stand components (Engineered Wood panels, hardware)
- Assembly Instructions
- Required Tools (typically an Allen wrench, often included)

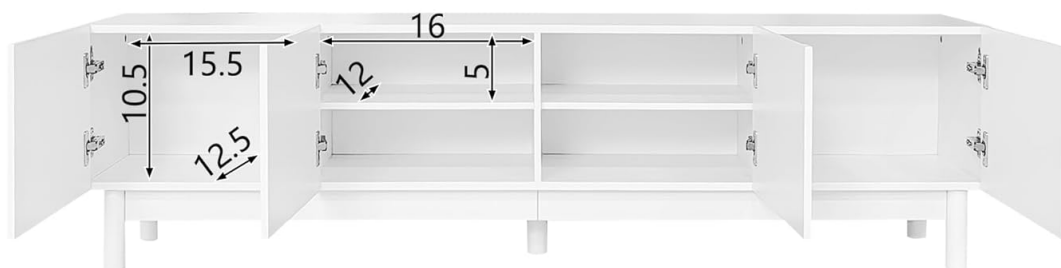
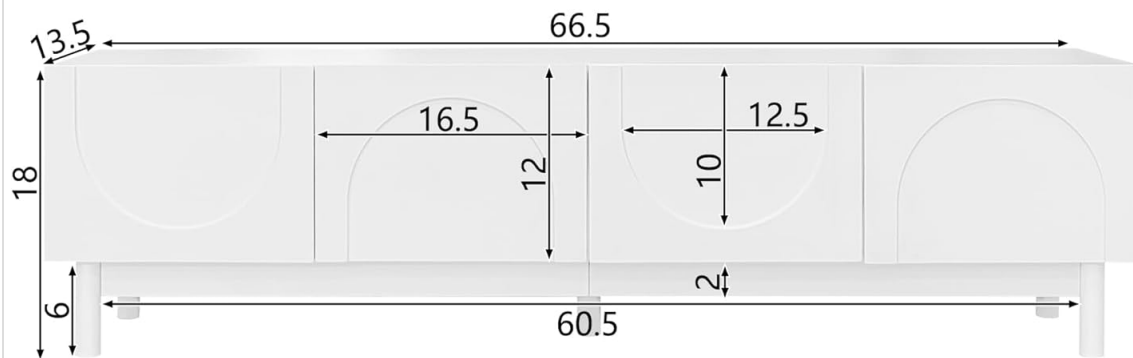
If any parts are missing or damaged, please contact Merax customer support immediately for assistance.

SPECIFICATIONS

Feature	Detail
Brand	Merax
Model Number	FFCATVStand26021108
Color	White
Overall Dimensions	66.5" x 13.5" x 18" (168.9 x 34.3 x 45.7 Centimetres)

Feature	Detail
Item Weight	54.78 Pounds
Material	Engineered Wood
Assembly Required	Yes
Special Features	Sturdy Legs, Wave Shaped Structured Doors

Einheit/Unit: INCH



Detailed dimensions of the TV stand, including overall width, depth, height, and internal compartment measurements.

SETUP AND ASSEMBLY

Assembly of the Merax TV Stand is required. Please follow the included assembly instructions carefully. It is recommended to have two people for assembly to ensure stability and ease of construction.

Ensure you have adequate space and a clean, flat surface for assembly. Do not overtighten screws to avoid damaging the engineered wood.



The Merax White TV Stand fully assembled and in use, showcasing its storage capabilities.



View of the TV stand with all doors open, illustrating the internal structure and shelving for organization.



Detail of the sturdy legs, providing stability and support for the TV stand.



Side view of the TV stand, emphasizing its sleek profile and handleless door design.



Top surface of the TV stand, illustrating the clean finish and the subtle texture of the wave-shaped doors.



The Merax White TV Stand integrated into a modern living room, demonstrating its aesthetic appeal.



Another perspective of the TV stand in a living room, emphasizing its handleless design and wave-shaped doors.

USAGE

This TV stand is designed to support televisions up to 66.5 inches in width and provide organized storage for media devices, accessories, and other items.

- Place your television centrally on the top surface, ensuring it is stable and within the weight capacity of the stand (130 LBS).
- Utilize the internal shelves behind the four wave-shaped doors for storing media players, gaming consoles, remote controls, books, or decorative items.
- The handleless design provides a clean, modern aesthetic. To open the doors, gently press the edge of the door to release the latch.

MAINTENANCE

To ensure the longevity and appearance of your Merax TV Stand, follow these care instructions:

- For general cleaning, wipe the surfaces with a soft, damp cloth.
- For drying and to prevent water marks, immediately follow with a dry cloth.
- Avoid using harsh chemicals, abrasive cleaners, or polishes that may damage the finish.

- Protect the surface from direct sunlight and extreme temperature changes.
- Use coasters under beverages and protective pads under decorative items to prevent scratches.

TROUBLESHOOTING

If you encounter any issues during assembly or use, please review the assembly instructions provided with your product. Common issues and solutions include:

- **Wobbly Stand:** Ensure all screws and fasteners are tightened securely. Check that the stand is placed on a level surface.
- **Doors Not Closing Properly:** Verify that hinges are correctly installed and adjusted. Ensure no items inside are obstructing the door's path.
- **Missing Parts:** Refer to the "Package Contents" section and contact customer support if any components are missing.

WARRANTY AND SUPPORT

Merax products are designed for quality and durability. For support, questions, or to report missing/damaged parts, please contact Merax customer service.

Manufacturer Contact Information: 626-912-8886

Please have your model number (FFCATVStand26021108) and purchase information ready when contacting support to expedite the process.