



[Manuals.plus](#) /

› [VEVOR](#) /

› VEVOR Seat Suspension Kit (Model JZ-29) Instruction Manual

## VEVOR JZ-29

# VEVOR Seat Suspension Kit (Model JZ-29) Instruction Manual

Universal Air Ride Seat Suspension for Heavy Equipment

## 1. PRODUCT OVERVIEW

---

The VEVOR Seat Suspension Kit (Model JZ-29) is designed to enhance operator comfort by reducing vibrations and impacts during the operation of heavy machinery. This universal suspension system features high-strength springs and an adjustable damping mechanism, making it suitable for a variety of equipment such as zero-turn lawn mowers, forklifts, tractors, and bulldozers. It is constructed from durable steel with a protective dust cover for longevity in demanding environments.



Image 1: VEVOR Seat Suspension Kit (Model JZ-29) - General View.

## 2. KEY FEATURES

- **Comfortable Operation:** Utilizes high-strength 65mn springs with a 45mm (2") shock travel, suitable for users weighing 50-130kg (110-286 lbs). Effectively reduces back and spinal impact for extended use.
- **Versatile Compatibility:** Features 8 additional mounting holes for universal fit across various machines, including lawnmowers, forklifts, tractors, and bulldozers.

- **Durable Construction:** Made from heavy-duty 3mm (0.12") steel, coated with electrostatic powder for corrosion resistance. Includes a PVC dust cover for protection against dust, dirt, and water.
- **Flexible Installation:** Comes with a 50cm (19.7") extension wire for adaptable wiring setups, simplifying connections.
- **Adjustable Suspension:** Equipped with an adjustable switch to fine-tune suspension based on operator weight and environmental conditions, enhancing comfort and safety.

### 3. PACKAGE CONTENTS

---

Verify that all components are present before beginning installation:

- 8 x M8 x 25mm Hex Bolts
- 8 x M8 Lock Nuts
- 8 x M8 Spring Washers
- 8 x M8 Flat Washers
- 1 x 50cm Seat Switch Extension Cable
- 1 x Allen Wrench



Item Model Number: **JZ-29**

Color: **Black**

Mount Compatibility: **Universal**

Damping Distance: **45mm / 1.77 in**

Main Material: **Q235 Steel**

Net Weight: **15.2kg / 33.51lbs**

Product Dimensions:

**490 × 420 × 150mm / 19.29 × 16.54 × 5.91 in**

Accessories:

**8 × M8 × 25mm Hex Bolts**

**8 × M8 Lock Nuts**

**8 × M8 Spring Washers**

**8 × M8 Flat Washers**

**1 × 50cm Seat Switch Extension Cable**

**1 × Allen Wrench**

Image 2: Included accessories and product dimensions.

## 4. SETUP AND INSTALLATION

This universal seat suspension kit is designed for broad compatibility. However, some vehicles may require modifications, such as drilling additional mounting holes, for proper fitment. Ensure the vehicle's existing seat base is compatible or can be adapted.

### 4.1 Mounting Hole Dimensions

Refer to the diagrams below for detailed measurements of the top and bottom mounting holes. These dimensions are crucial for determining compatibility and planning any necessary modifications.

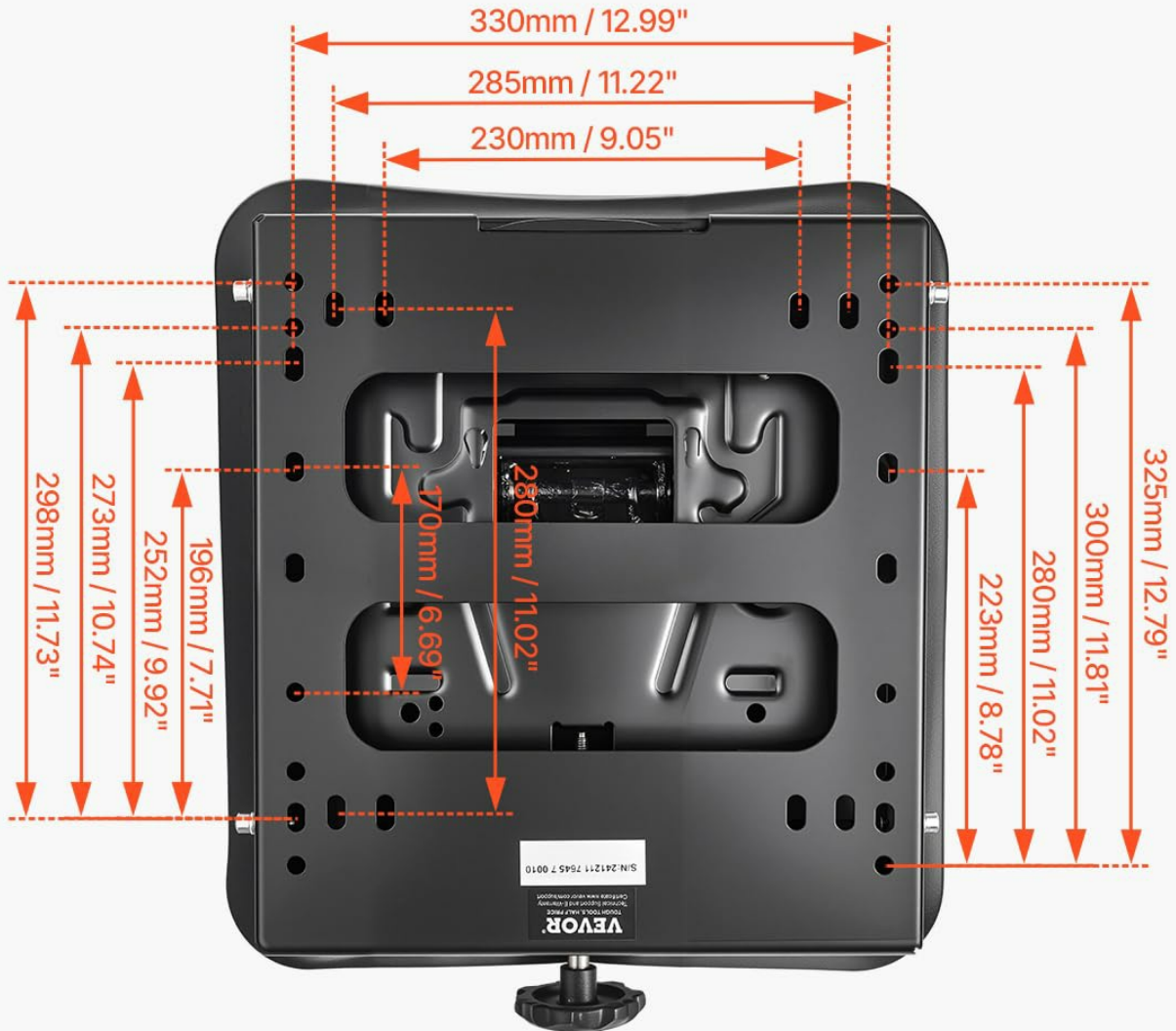
## Upgraded Bottom Long-Slot Mounting Holes



Tips: If these mounting holes do not fit your vehicle, additional drilling may be required.

Image 3: Bottom mounting hole dimensions. Additional drilling may be required.

# Upgraded Top Long-Slot Mounting Holes



Tips: If these mounting holes do not fit your vehicle, additional drilling may be required.

Image 4: Top mounting hole dimensions. Additional drilling may be required.

## 4.2 Installation Steps

- 1. Prepare the Mounting Surface:** Ensure the mounting surface on your equipment is clean, stable, and provides adequate space for the suspension kit.
- 2. Align and Mark:** Place the suspension kit on the mounting surface. Align the existing or desired mounting holes. Mark any new holes that need to be drilled.
- 3. Drill Holes (if necessary):** If new holes are required, use appropriate drilling tools and safety precautions. Ensure holes are correctly sized for the M8 bolts.

4. **Install Spacers:** This suspension kit does not include slide rails. You will need to install 3/4-inch spacers for proper mounting and clearance.
5. **Secure the Kit:** Use the provided M8 hex bolts, lock nuts, spring washers, and flat washers to securely fasten the suspension kit to your equipment. Tighten all fasteners firmly.
6. **Connect Extension Cable:** If your seat has a switch (e.g., for safety interlock), use the 50cm (19.7") extension cable to connect it to the vehicle's wiring system. This provides flexibility for various wiring configurations.

## 19.7" Seat Switch Extension Cable

Ours



✓ 50cm/19.7" Extension Cable

✓ Flexible Installation

Others



✗ 30.5cm/12" Extension Cable

✗ Limited Installation

Image 5: The 19.7-inch seat switch extension cable provides flexible installation options.

## 5. OPERATING INSTRUCTIONS

---

Once installed, the VEVOR Seat Suspension Kit allows for adjustable comfort to suit different operators and terrains.

### 5.1 Adjusting Suspension

The suspension kit features an adjustable knob to fine-tune the damping. Rotate the knob to increase or decrease the spring tension, thereby adjusting the suspension's firmness. This allows you to optimize comfort based on your weight and the roughness of the operating environment.

#### Reliable for Outdoor & Humid Environments



Wear  
Resistant



Corrosion  
Resistant



Electrostatic  
Coating



Image 6: Adjust the suspension knob to fine-tune damping for optimal comfort.

The suspension provides a damping distance of 45mm (1.77 inches), effectively absorbing shocks and vibrations.

#### Adjusts for Rough Terrain



Image 7: Illustration of the 45mm damping distance.

## 6. MAINTENANCE

---

Regular maintenance ensures the longevity and optimal performance of your VEVOR Seat Suspension Kit.

- **Cleaning:** Periodically clean the suspension unit, especially the springs and moving parts, to prevent accumulation of dirt and debris. The PVC dust cover helps protect internal components.
- **Inspection:** Regularly inspect all bolts, nuts, and washers for tightness. Re-tighten if necessary. Check for any signs of wear, damage, or corrosion on the steel frame and springs.
- **Lubrication:** While the unit is designed for low maintenance, applying a suitable lubricant to pivot points and springs (if

accessible) can help maintain smooth operation and prevent rust, especially in humid environments.

- **Dust Cover:** Ensure the PVC dust cover is intact and properly seated to provide maximum protection against environmental elements.



Image 8: The durable Q235 steel construction with electrostatic coating and PVC dust cover ensures reliability in outdoor and humid environments.

## 7. TROUBLESHOOTING

This section addresses common issues you might encounter.

- **Difficulty with Installation/Fitment:** Due to the universal design, some equipment models may require minor modifications (e.g., drilling new holes) to achieve a perfect fit. Carefully review the mounting hole dimensions provided in Section 4.1.
- **Reduced Shock Absorption:** Ensure the adjustable suspension knob is correctly set for the operator's weight and terrain conditions. Inspect springs for damage or excessive wear.
- **Unusual Noises:** Check all mounting hardware for tightness. Lubricate moving parts as described in Section 6. If noises persist, inspect for any loose or damaged components.

For issues not covered here, or if problems persist, please contact VEVOR customer support.

## 8. SPECIFICATIONS

Feature	Detail
Model Number	JZ-29
Color	Black
Mount Compatibility	Universal (requires 3/4-inch spacers, no slide rails included)
Damping Distance	45mm / 1.77 inches
Main Material	Q235 Steel
Net Weight	15.2 kg / 33.5 lbs
Product Dimensions (L x W x H)	490 x 420 x 150 mm / 19.29 x 16.54 x 5.91 inches
Recommended User Weight	50-130 kg / 110-286 lbs

## 9. WARRANTY AND SUPPORT

---

For warranty information, product support, or to inquire about replacement parts, please contact VEVOR customer service directly. Refer to your purchase documentation for specific warranty terms and contact details.

**Manufacturer:** VEVOR

**Website:** [www.vevor.com](http://www.vevor.com)

© 2026 VEVOR. All rights reserved. Information in this manual is subject to change without notice.