

Manuals+

[Q & A](#) | [Deep Search](#) | [Upload](#)

manuals.plus /

- › [VEVOR](#) /
- › [VEVOR Heavy Duty Aluminum Truck Bed Tool Box SS48-DB User Manual](#)

VEVOR SS48-DB

VEVOR Heavy Duty Aluminum Truck Bed Tool Box SS48-DB User Manual

Model: SS48-DB

1. INTRODUCTION

This manual provides essential information for the safe and effective use of your VEVOR Heavy Duty Aluminum Truck Bed Tool Box, model SS48-DB. This robust storage solution is designed for various applications, including pickup trucks, trailers, RVs, and general storage in homes or warehouses. It features a durable aluminum construction, secure locking mechanisms, and weather-resistant properties to protect your equipment.



Image 1.1: The VEVOR Heavy Duty Aluminum Truck Bed Tool Box shown open, with keys for the integrated locks.

2. SAFETY INSTRUCTIONS

- Always ensure the toolbox is securely mounted or strapped down, especially when used in vehicles, to prevent shifting during transit.
- Do not exceed the maximum weight capacity of 220.5 lbs (100 kg) to avoid damage to the toolbox or vehicle.
- Exercise caution when opening and closing the lid to prevent finger pinching. The gas struts provide assistance, but proper handling is necessary.
- Keep keys in a safe place and away from children.
- Avoid placing corrosive or flammable materials directly inside the toolbox without proper containment.

3. PACKAGE CONTENTS

Verify that all components are present upon unpacking:

- 1 x VEVOR Heavy Duty Aluminum Truck Bed Tool Box

- 4 x Keys
- 1 x User Manual (this document)

4. SETUP AND INSTALLATION

The VEVOR Truck Bed Tool Box is designed for versatile placement. Proper installation is crucial for safety and stability.

4.1 Placement Considerations

Before installation, determine the optimal location for your toolbox. Common placements include:

- **Truck Bed:** Position the toolbox against the cab or tailgate, ensuring it does not obstruct vehicle functions.
- **Trailer or RV:** Securely mount to the frame or bed of the trailer/RV.
- **Stationary Storage:** Suitable for garages, workshops, or warehouses.

4.2 Securing the Toolbox

For vehicle applications, the toolbox **must be securely strapped or drill-mounted** to prevent movement during transit. Failure to do so can result in injury or damage.

- **Strapping:** Use heavy-duty tie-down straps (not included) to fasten the toolbox to existing anchor points in your truck bed or trailer. Ensure straps are tightened sufficiently to eliminate any movement.
- **Drill Mounting:** For a permanent installation, drill holes through the bottom of the toolbox and into the vehicle's bed, then secure with appropriate hardware (not included). Ensure no critical vehicle components are damaged during drilling.

The toolbox is equipped with wide and large side handles for easier lifting and positioning during installation or when moving the empty box.



SS48-D-B

Item Model Number

220.5 lbs / 100 kg

Weight Capacity

Aluminum Sheet

Main Material

48 x 19.5 x 17.5 in / 1219.2 x 495.3 x 444.5 mm

External Size

46.1 x 17.5 x 16.7 in / 1170 x 445 x 424 mm

Internal Size

4 x Keys

Accessories

1 x User Manual

Black

Color

85°

Lid Opening Angle

32.6 lbs / 14.8 kg

Product Weight

Image 4.1: The toolbox features wide side handles for comfortable carrying and positioning.

Ensures Easy and Comfortable Grip

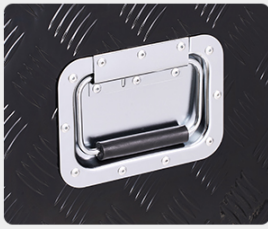


Image 4.2: Example of the toolbox securely placed within a truck bed.



Image 4.3: The toolbox can also be mounted on a roof rack, requiring secure strapping or drilling.

5. OPERATION

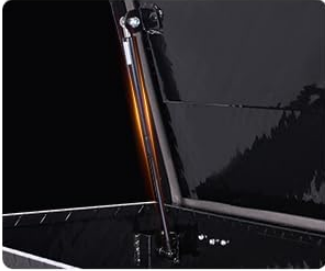
5.1 Opening and Closing the Lid

The toolbox lid is supported by reinforced dual gas struts, allowing for smooth and controlled opening and closing. The lid opens to an 85-degree angle, providing full access to the contents without needing to hold it manually.

- To open, unlock the latches and gently lift the lid. The gas struts will assist in raising it to the fully open position.
- To close, gently pull the lid down. The gas struts will provide resistance for a controlled descent. Ensure the lid aligns properly with the box frame before locking.

Convenient Design for Opening and Moving

Reinforced Double Gas Strut



Wide and Large Handle



Image 5.1: Reinforced dual gas struts allow the lid to open smoothly to an 85-degree angle.

5.2 Locking Mechanism

The toolbox is equipped with two embedded locks and comes with four keys for enhanced security. The integrated design of the locks makes them resistant to prying and reduces the risk of damage during transit.

- To lock, ensure the lid is fully closed and aligned. Insert a key into each lock and turn to the locked position. Remove the keys.
- To unlock, insert a key into each lock and turn to the unlocked position. The latches will release, allowing the lid to be opened.

Secure Your Belongings

Built-in anti-pry locks

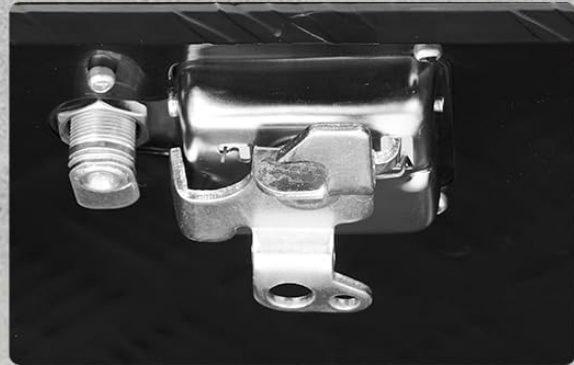
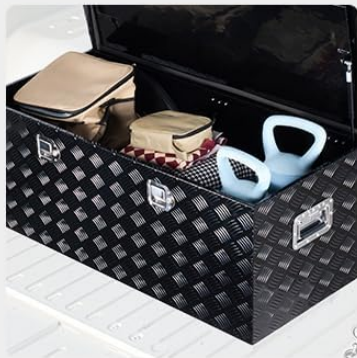


Image 5.2: The toolbox features embedded anti-pry locks for secure storage.

5.3 Storage Capacity

With external dimensions of 48 x 19.5 x 17.5 inches (1219.2 x 495.3 x 444.5 mm), the toolbox offers substantial storage space for various items, including tools, emergency equipment, camping gear, or other supplies. The internal dimensions are 46.1 x 17.5 x 16.7 inches (1170 x 445 x 424 mm).

More Space for Storage



Daily Usage



Emergency Rescue



Maintenance Tools

Image 5.3: The spacious interior accommodates a variety of tools and equipment.

6. MAINTENANCE

Regular maintenance will ensure the longevity and optimal performance of your VEVOR toolbox.

- **Cleaning:** Wipe the exterior and interior surfaces with a damp cloth and mild detergent as needed. Avoid abrasive cleaners that could damage the powder coating.
- **Weather Protection:** The aluminum construction with a stripe tread pattern and powder coating provides excellent rust and corrosion resistance. The lid features folded edges and an inner foam strip to create a tight

seal, preventing rain and dust from entering. Periodically inspect this foam seal for any signs of wear or damage and replace if necessary to maintain waterproof integrity.

Keeps Tools and Supplies Dry and Clean

Securely sealed box lid



Rust-Resistant



Water-Proof

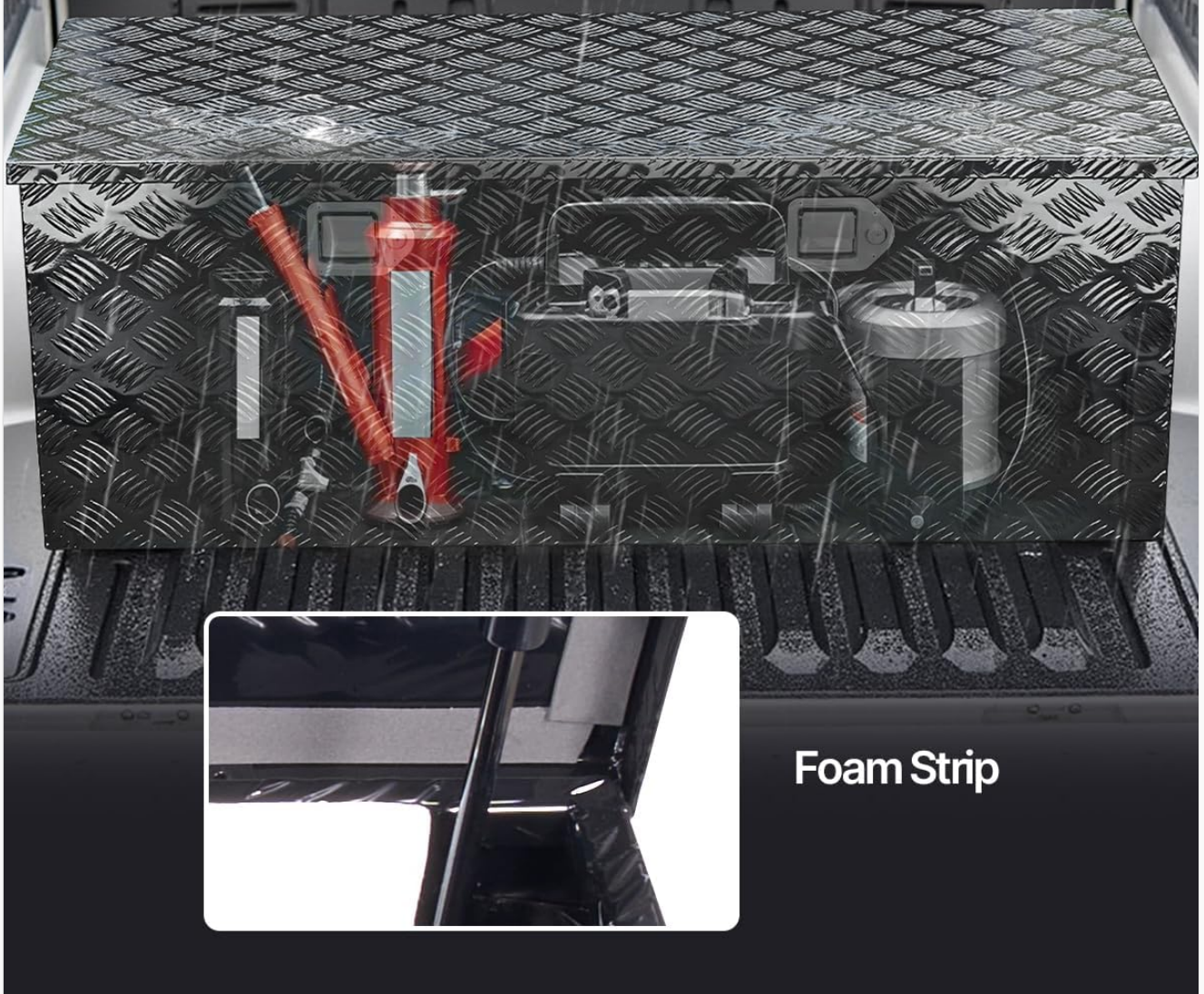


Image 6.1: The securely sealed lid with a foam strip prevents water ingress, keeping contents dry.

Corrosion-Resistant for Long-Lasting Use

Made from heavy-duty aluminum alloy



Lightweight



Rust-Resistant



Less Fuel Consumption

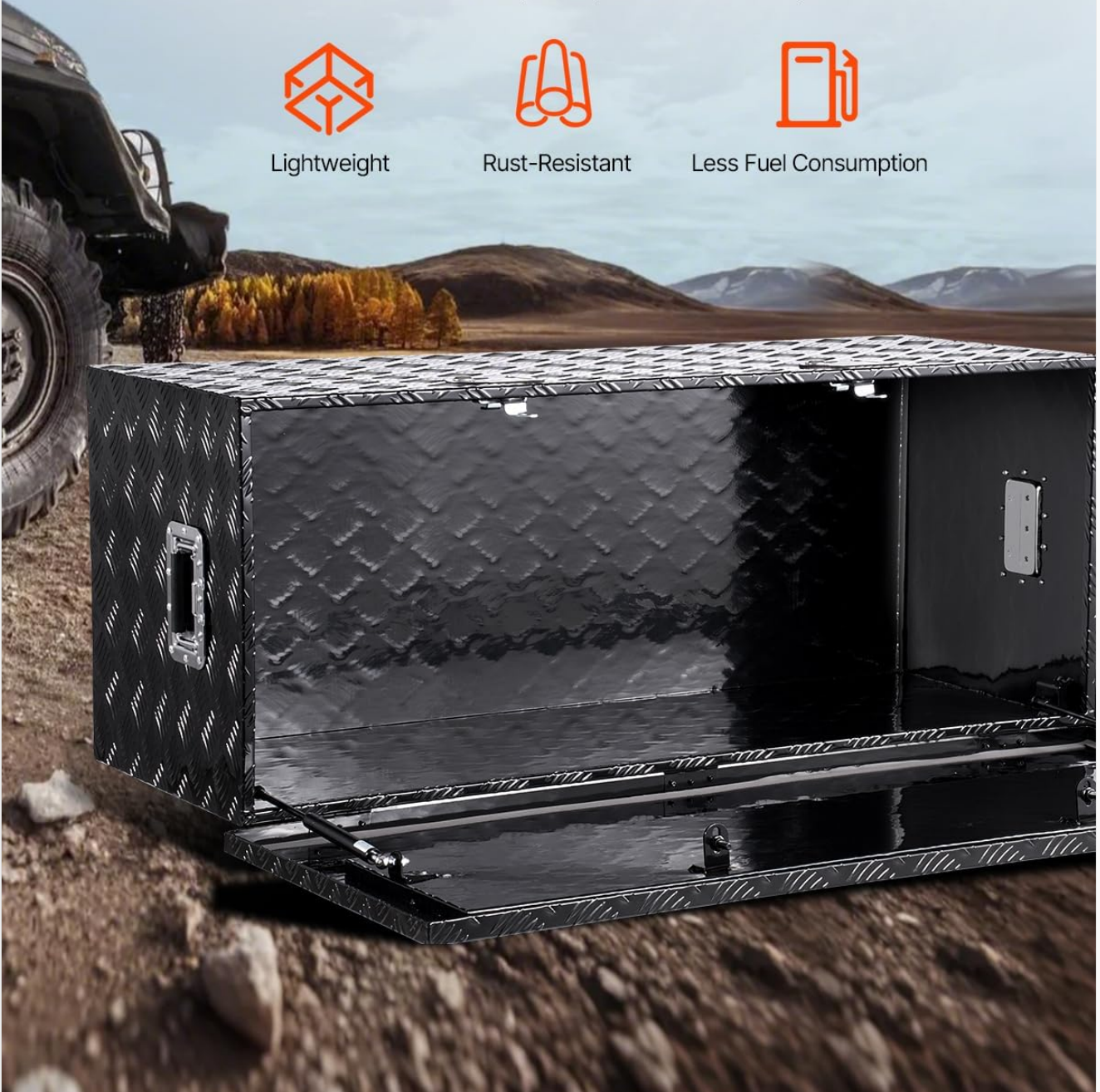


Image 6.2: Constructed from heavy-duty aluminum alloy, the toolbox is designed for long-lasting use and resistance to corrosion.

- **Lock Care:** Apply a small amount of graphite lubricant or a silicone-based spray to the lock mechanisms periodically to ensure smooth operation and prevent sticking.
- **Hinge and Strut Inspection:** Check the hinges and gas struts for any signs of wear, damage, or loose fasteners. Tighten any loose screws and replace damaged components if necessary.

7. TROUBLESHOOTING

If you encounter issues with your toolbox, refer to the following common troubleshooting steps:

- **Lid Not Closing Properly:**

- Check for any obstructions inside the box or along the rim that might be preventing the lid from seating correctly.
- Inspect the foam seal for debris or damage that could interfere with a tight closure.

- **Locks Sticking or Difficult to Turn:**

- Apply a small amount of graphite powder or a silicone-based lubricant into the keyhole and mechanism.
- Ensure the key is fully inserted and not bent or damaged.

- **Water Inside the Toolbox:**

- Inspect the foam seal around the lid for any gaps, tears, or misalignment. Re-seat or replace the seal if damaged.
- Ensure the lid is fully closed and the locks are engaged to maintain a tight seal.

8. SPECIFICATIONS

Feature	Specification
Model Number	SS48-DB
External Size (L x W x H)	48 x 19.5 x 17.5 in / 1219.2 x 495.3 x 444.5 mm
Internal Size (L x W x H)	46.1 x 17.5 x 16.7 in / 1170 x 445 x 424 mm
Weight Capacity	220.5 lbs / 100 kg
Product Weight	32.6 lbs / 14.8 kg
Main Material	Aluminum Sheet
Color	Black
Lid Opening Angle	85°
Included Accessories	4 x Keys, 1 x User Manual
Water Resistance Level	Water Resistant
UPC	197988150015



Image 8.1: Dimensional drawing illustrating the external and internal measurements of the toolbox.

9. WARRANTY INFORMATION

VEVOR products typically come with a standard warranty. For specific warranty terms and conditions, including coverage duration and claim procedures, please refer to the official VEVOR website or the warranty documentation provided with your purchase. It is recommended to retain your proof of purchase for warranty purposes.

10. CUSTOMER SUPPORT

For technical assistance, inquiries about parts, or any other support needs, please visit the official VEVOR website. You can typically find contact information for customer service, FAQs, and additional resources on their support pages. Please have your product model number (SS48-DB) and purchase details ready when contacting support.

VEVOR Official Website: www.vevor.com