

[Manuals.plus](#) /

> [OHLPRO](#) /

> OHLPRO Aluminum Tablet Wall Mount Holder (Model Q05-P3) Instruction Manual

OHLPRO Q05-P3

OHLPRO Aluminum Tablet Wall Mount Holder (Model Q05-P3) Instruction Manual

Model: Q05-P3 | Brand: OHLPRO

INTRODUCTION

This manual provides detailed instructions for the safe and effective installation, operation, and maintenance of your OHLPRO Aluminum Tablet Wall Mount Holder. Please read this manual thoroughly before installation and retain it for future reference. This mount is designed to securely hold tablets and smartphones ranging from 5 to 13 inches, offering adjustable viewing angles and extension for various applications.

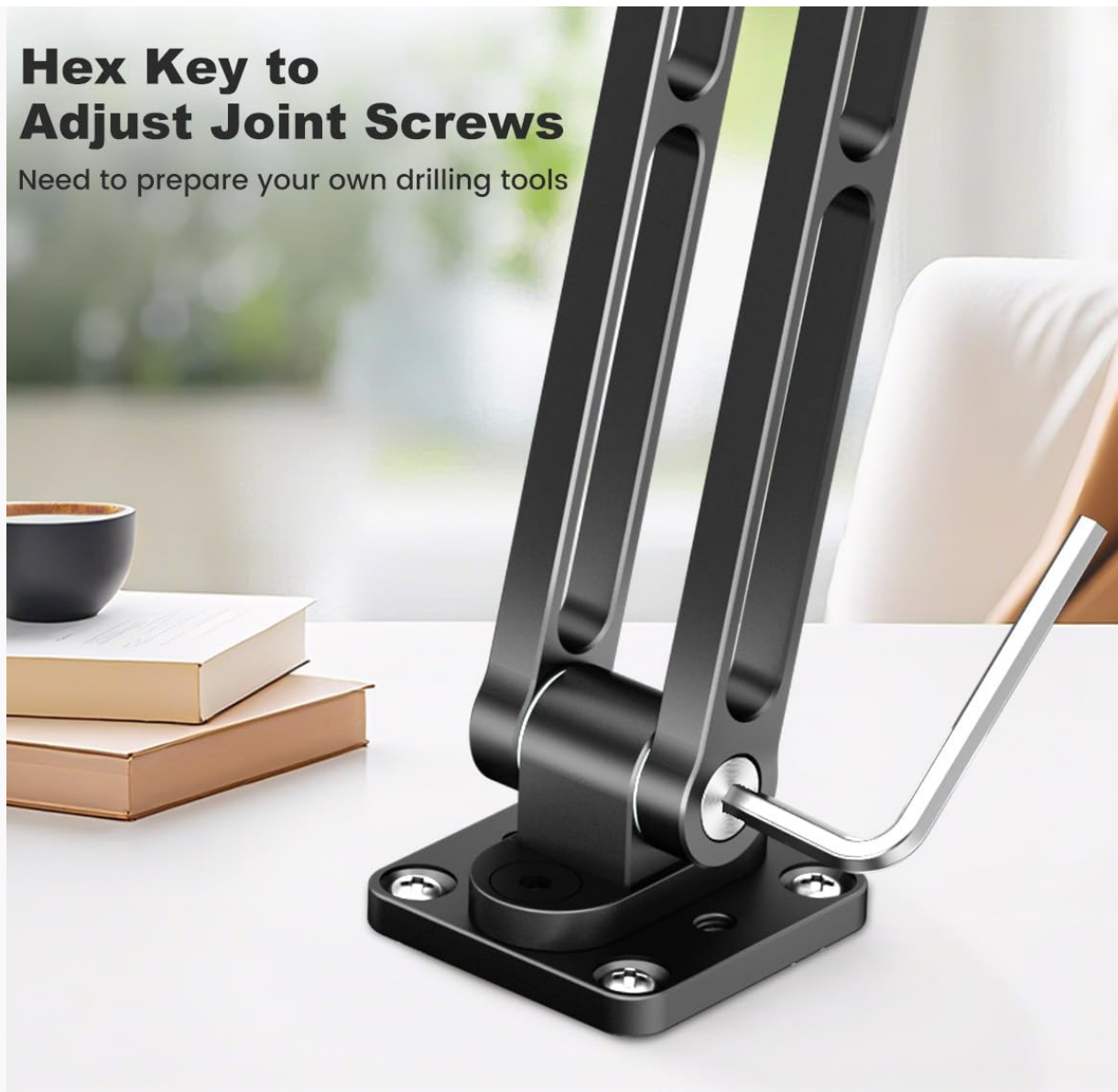
PACKAGE CONTENTS

Verify that all components are present before beginning installation:

- 1 x 3-Section Aluminum Arm
- 1 x Tablet Clamp
- 1 x Hex Key
- 8 x M5 Screws (4 long, 4 short)
- 4 x Expansion Tubes

Hex Key to Adjust Joint Screws

Need to prepare your own drilling tools



Package Content:



Figure 1: Package Contents

SETUP AND INSTALLATION

The OHLPRO Aluminum Tablet Wall Mount requires drilling for secure installation. Ensure you have appropriate drilling tools before proceeding.

1. Arm Assembly (Optional)

The 3-section aluminum arm can be disassembled and reassembled to customize its length and configuration. Use the provided hex key to remove or add arm sections as needed. Ensure all screws are tightened securely after reassembly.

Video 1: Free Assembly of OHLPRO Tablet Wall Mount. This video demonstrates how to disassemble and reassemble the arm sections of the mount using the hex key.

2. Wall Mounting

1. Select a suitable location on a sturdy wall for installation.
2. Position the base plate of the mount against the wall and mark the drilling points.
3. Drill pilot holes at the marked locations. Insert the expansion tubes if necessary for your wall type.
4. Secure the base plate to the wall using the appropriate M5 screws.

3. Attaching the Tablet Clamp

1. The tablet clamp attaches to the ball head at the end of the arm.
2. Tighten the screw on the ball head using the hex key to secure the tablet clamp.

4. Adjusting Base Orientation (Optional)

If you need to change the orientation of the mount's base on the wall, remove the base screws, rotate the mount 90 degrees, and then re-secure the screws. This allows for horizontal or vertical extension from the wall.

FREE ADJUSTMENT & ROTATION

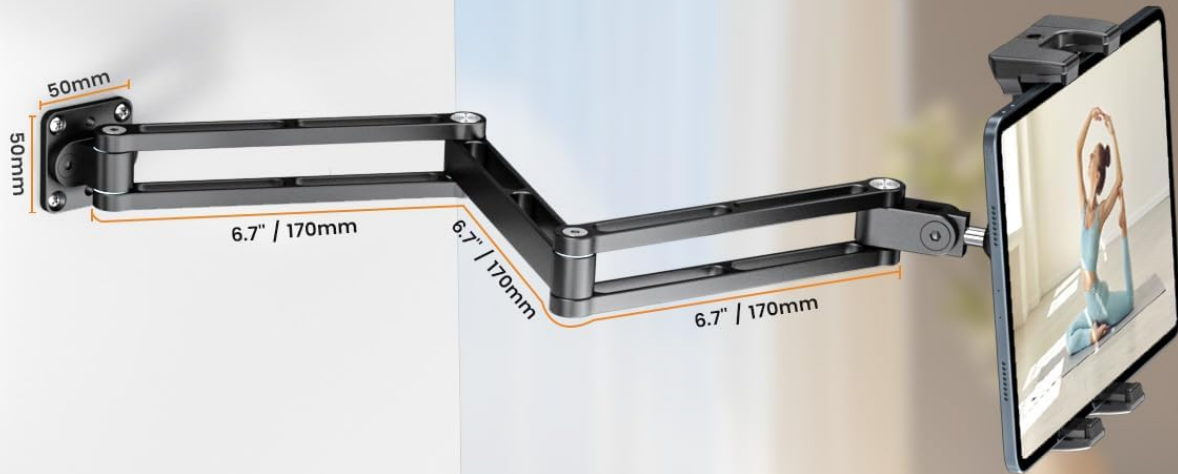


Figure 2: Base Rotation and Joint Adjustment

Video 2: Installation and Use of OHLPRO Aluminum Tablet Wall Mount. This video demonstrates the full installation process and initial usage of the mount.

OPERATING INSTRUCTIONS

The OHLPRO Tablet Wall Mount offers extensive adjustability for optimal viewing.

1. Device Placement

The tablet clamp is compatible with devices from 5 to 13 inches. The maximum clamp opening is 9.2 inches (23.5 cm). For tablets larger than 10.2 inches, mount the device on its shorter sides to ensure a

secure fit. The 0.78-inch (20 mm) side clearance accommodates most protective cases.



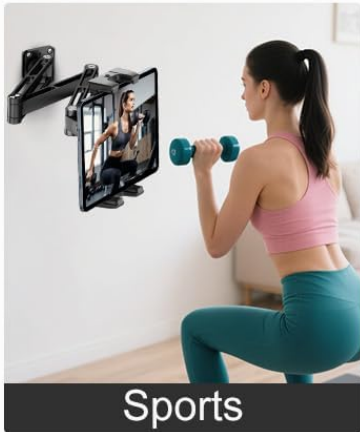
Figure 3: Tablet Clamp Compatibility

2. Adjusting Position and Angle

The mount features a 360° rotating head ball and multiple angle adjustments along its three-stage arm. You can extend, raise, lower, or fold the arm to achieve your desired viewing position. Use the included hex key to tighten the rotating screws at the joints for enhanced stability once the desired position is set.



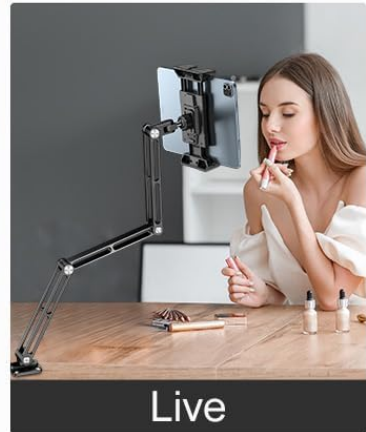
MOUNT ON ANYWHERE



Sports



Leisure



Live

Figure 4: Mount in Office Use

Free Your Hands

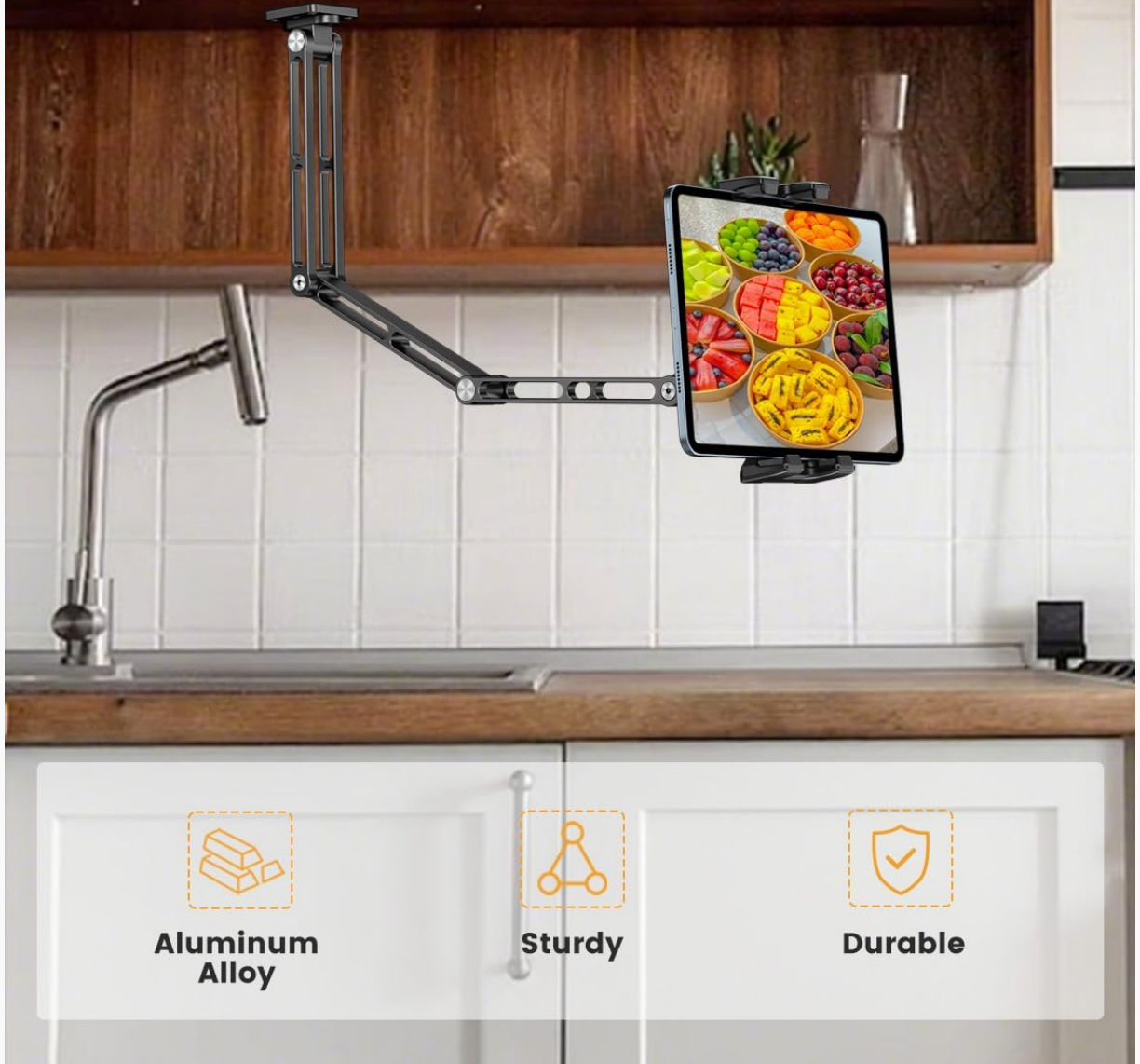


Figure 5: Mount in Kitchen Use

Sturdy Metal Arm

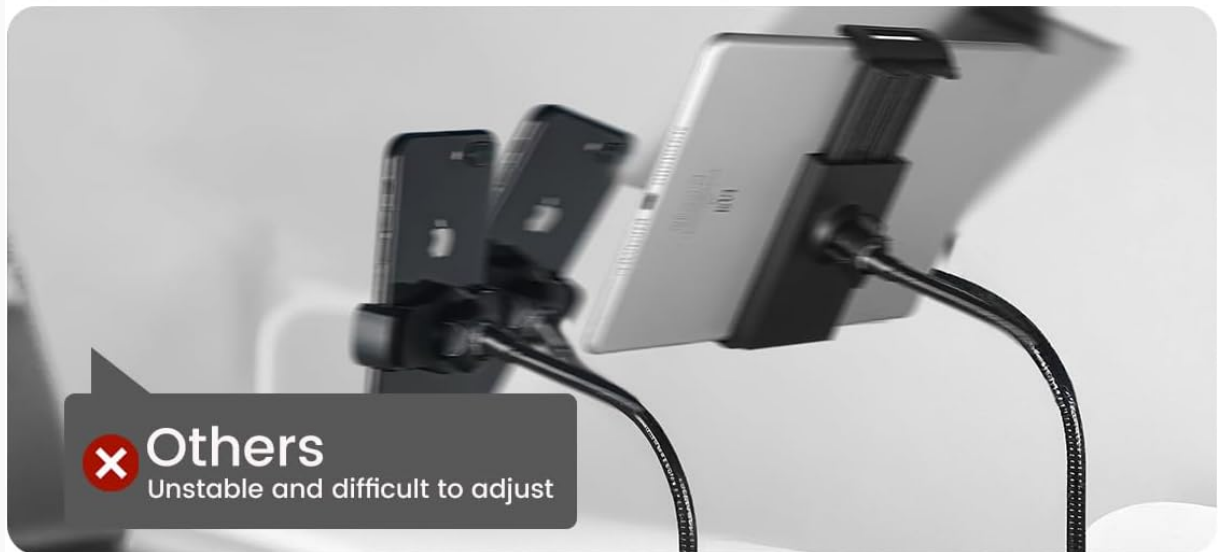


Figure 6: Sturdy Metal Arm

MAINTENANCE

To ensure the longevity and optimal performance of your OHLPRO Tablet Wall Mount, follow these maintenance guidelines:

- **Cleaning:** Wipe the mount regularly with a soft, dry cloth. Avoid abrasive cleaners or solvents that could damage the finish.
- **Screw Tightness:** Periodically check all screws, especially those at the joints and the wall mounting points, to ensure they remain tight. Re-tighten with the hex key if any looseness is detected to maintain stability.

- **Joint Lubrication:** If the arm joints become stiff over time, a small amount of silicone-based lubricant can be applied to the moving parts.

TROUBLESHOOTING

If you encounter issues with your OHLPRO Tablet Wall Mount, refer to the following common solutions:

Problem	Possible Cause	Solution
Mount sags or does not hold position	Joint screws are loose.	Use the provided hex key to tighten all joint screws firmly.
Tablet does not fit securely in the clamp	Tablet size exceeds clamp capacity or is incorrectly oriented.	Ensure your device is between 5-13 inches. For devices over 10.2 inches, mount on the shorter sides. Check for case compatibility (max 0.78 inch thickness).
Mount feels unstable on the wall	Wall mounting screws are loose or wall material is insufficient.	Re-tighten wall mounting screws. Ensure the mount is installed on a sturdy surface using appropriate anchors (expansion tubes).

SPECIFICATIONS

- **Brand:** OHLPRO
- **Model Name:** Aluminum iPad Wall Mount Holder
- **Model Number:** Q05-P3
- **Form Factor:** Wall Mount
- **Compatible Devices:** 5-13 inch tablets and smartphones (Max clamp opening: 9.2 inches / 23.5 cm)
- **Mounting Type:** Drilling base installation
- **Adjustable Length:** Yes (up to 23.6 inches / 60 cm)
- **Special Features:** 360° Rotation, Adjustable, Metal Arm, Retractable, Hand-Free, Stable Support
- **Material:** Aluminum Alloy, Acrylonitrile Butadiene Styrene

WARRANTY AND SUPPORT

The OHLPRO Aluminum Tablet Wall Mount Holder comes with a **2-year warranty**. If you have any questions, concerns, or require assistance with your product, please contact OHLPRO customer service. Our professional after-sales team is available to help resolve any issues with sincerity and expertise.