



[Manuals.plus](#) /

› [Roinvou](#) /

› Roinvou 8 Core 4GB+64GB Android Radio User Manual for Dodge Caliber 2006-2012

Roinvou 8 Core 4G+64G

Roinvou 8 Core 4GB+64GB Android Radio User Manual for Dodge Caliber 2006-2012

Model: 8 Core 4G+64G

1. INTRODUCTION

This manual provides detailed instructions for the installation, operation, and maintenance of your Roinvou 8 Core 4GB+64GB Android Radio. This unit is specifically designed for Dodge Caliber models manufactured between 2006 and 2012. Please read this manual thoroughly before installation and use to ensure proper functionality and to avoid damage.

2. COMPATIBILITY

This car stereo is compatible with Dodge Caliber vehicles from model years 2006 to 2012. Before purchasing and installing, verify the year, dimensions, and shape of your vehicle's center console to ensure a proper fit. If you are uncertain about compatibility, consult with a professional or the manufacturer.

Installation Comparison



Image 2.1: Installation comparison for Dodge Caliber 2006-2012. The top image shows the Roinvou Android radio installed in a compatible dashboard. The bottom left image shows a compatible dashboard section with climate controls and hazard button. The bottom right image shows an incompatible dashboard section with different button layout.

3. WHAT'S IN THE BOX

The package includes the following components:

- Roinvou Android Car Stereo for Dodge Caliber
- 1 x Power Cable
- 1 x Radio Antenna
- 1 x Canbus Decoder
- 1 x RCA Harness
- 1 x GPS Antenna

- 1 x AHD Backup Camera
- 1 x External Microphone
- 1 x Rear Camera Input Cable
- 2 x USB Cables
- 1 x Installation Tool

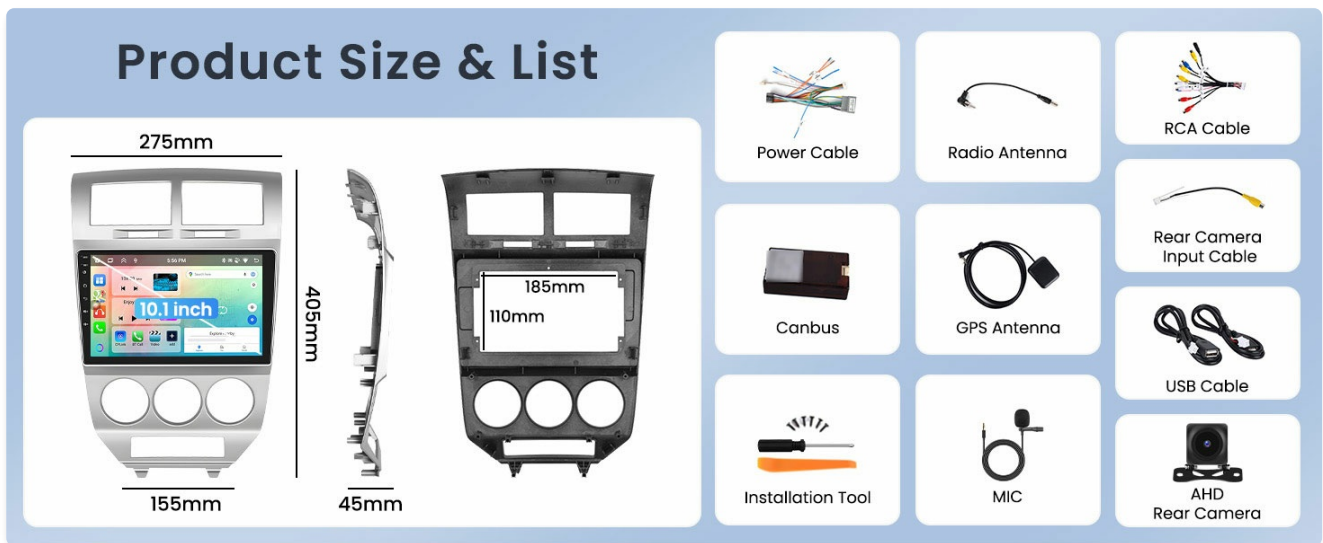


Image 3.1: Product dimensions and a visual list of included accessories such as power cable, radio antenna, RCA cable, rear camera input cable, Canbus, GPS antenna, USB cable, installation tool, microphone, and AHD rear camera.

4. SETUP AND INSTALLATION

Professional installation is recommended. Disconnect the vehicle's battery before beginning any electrical work.

4.1 Wiring Connections

Carefully connect the provided power cable, radio antenna, RCA harness, and other necessary cables to the corresponding ports on the head unit and your vehicle's wiring harness. Ensure all connections are secure to prevent intermittent issues.

Power Cord Port Display

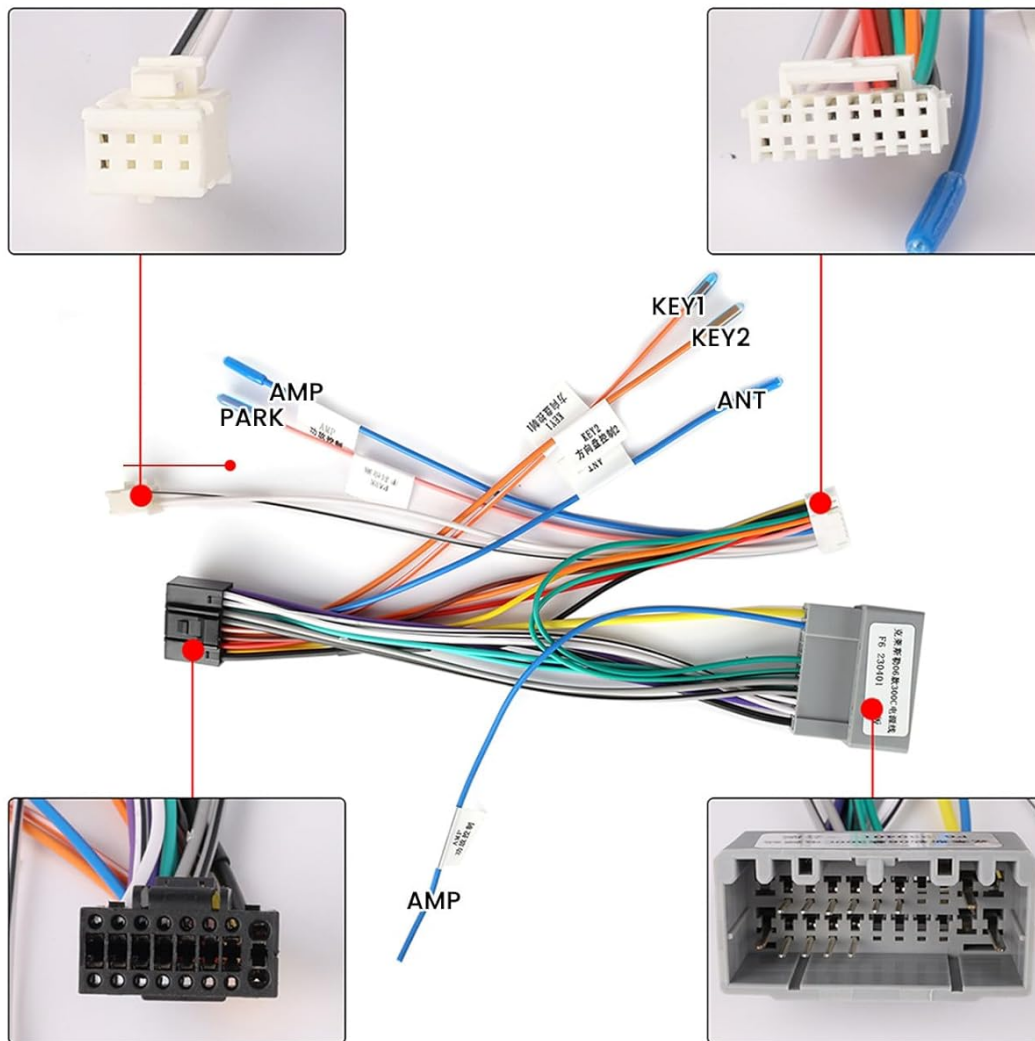


Image 4.1: Detailed diagram illustrating the power cord port display and various wiring connections including AMP, PARK, ANT, KEY1, KEY2, and RCA outputs.

4.2 Backup Camera Installation

Install the AHD backup camera at the rear of your vehicle. Connect the camera's video output to the 'Rear Camera Input' cable on the head unit. Connect the camera's power wire to the vehicle's reverse light circuit and the ground wire to a suitable chassis ground. This ensures the camera activates automatically when the vehicle is in reverse.

Reversing Camera Wiring

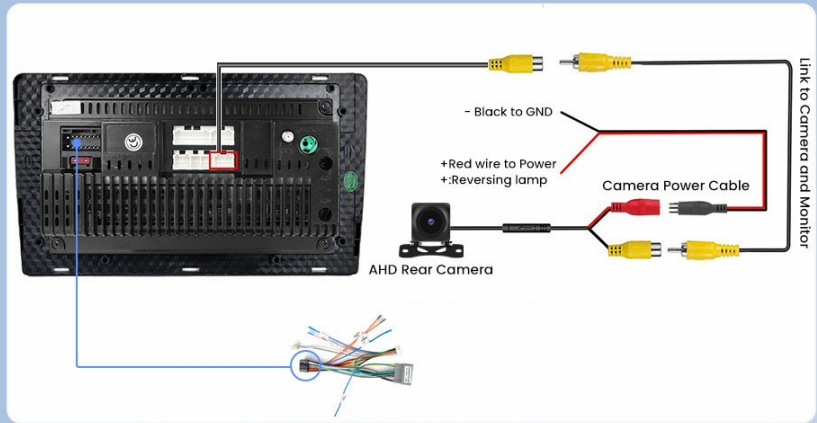
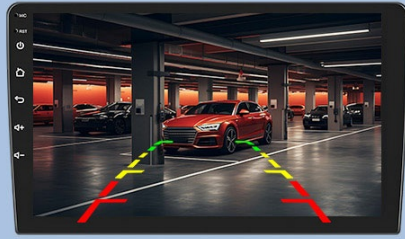


Image 4.2: Wiring diagram for the reversing camera, showing connections for video signal, power (red wire to reversing lamp), and ground (black wire to GND).

4.3 GPS Antenna Placement

Mount the GPS antenna in a location with a clear view of the sky, typically on the dashboard or under the windshield, to ensure optimal satellite signal reception for navigation.

5. OPERATING INSTRUCTIONS

5.1 Powering On and Initial Setup

After installation, reconnect the vehicle's battery. The unit should power on automatically with the vehicle's ignition. Follow the on-screen prompts for initial setup, including language selection and time zone settings.

5.2 Display and User Interface

The unit features a 10.1-inch HD IPS touchscreen with a resolution of 1280x720. Navigate the interface by touching icons and swiping. The display offers wide viewing angles and an anti-glare coating for visibility in various lighting conditions.

1080P IPS Touch Screen



1280*720



High Temperature Protection



Scratch-Resistant



Anti-Knock

Image 5.1: The 10.1-inch 1080P Full HD IPS Touch Screen, highlighting its 1280x720 resolution, high temperature protection, scratch-resistant, and anti-knock features.

5.3 Wireless CarPlay and Android Auto

Connect your iPhone or Android smartphone wirelessly or via USB to access Apple CarPlay or Android Auto. This allows for hands-free calls, navigation, music streaming, and access to compatible apps directly from the head unit's display. Use voice commands via Siri or Google Assistant for convenience.



Image 5.2: Visual representation of Wireless CarPlay, Android Auto, and Mirror Link features. CarPlay and Android Auto connect via Bluetooth/USB, while Mirror Link uses WiFi/USB.

5.4 Mirror Link

The Mirror Link function allows you to mirror your smartphone's screen onto the head unit's display. This feature supports both wireless and wired connections, enabling you to view content from your phone directly on the larger screen.

5.5 GPS Navigation and WiFi

The unit includes built-in GPS with support for offline maps. Connect to a 5G WiFi network for online navigation, app downloads, and streaming services. The system provides accurate positioning and route guidance.



Image 5.3: Illustration of GPS navigation with offline and online map capabilities, alongside WiFi connectivity for internet access.

5.6 Bluetooth 5.0

Utilize Bluetooth 5.0 for stable and fast wireless connections. Pair your smartphone for hands-free calling and audio streaming. The system supports phone contacts synchronization and call history.

5.7 FM/RDS Radio

Access your favorite radio stations with the built-in FM/RDS tuner. RDS (Radio Data System) provides additional information such as station name and song title where available.

5.8 Audio Equalizer (32-band EQ)

Customize your audio experience with the integrated 32-band equalizer. Adjust frequency levels to match your preferences and vehicle acoustics for optimal sound quality.

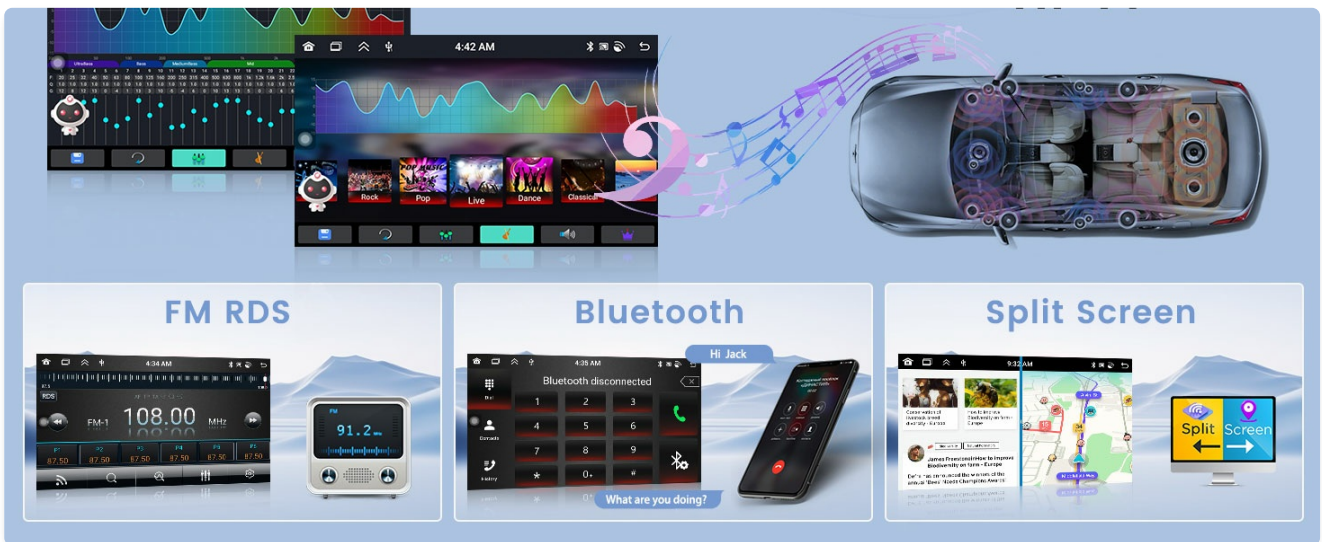


Image 5.4: Visual representation of the audio equalizer settings and sound output within a car environment.

5.9 Steering Wheel Control (SWC)

The unit supports your vehicle's original steering wheel controls. After installation, configure the SWC settings in the unit's menu to map functions like volume, track change, and mode selection to your steering wheel buttons.

Powerful Android System



Ultra-fast Running Speed

Other

Our

Image 5.5: Display of the reverse image with parking guidelines and an illustration of steering wheel control buttons with a path for protocol settings.

5.10 Backup Camera Display

When the vehicle is shifted into reverse, the display automatically switches to the backup camera view, providing a clear image with parking guidelines to assist with safe maneuvering.

6. SPECIFICATIONS

Key technical specifications of the Roinvou Android Radio:

Feature	Specification
System	Latest Android System
Memory	4GB RAM + 64GB ROM

Processor	8 Core
Internet Access	WiFi (5G supported)
Bluetooth Version	5.0
Sound Equalizer	DSP 32EQ
Radio	FM/RDS
Screen Resolution	1280*720
CarPlay & Android Auto	Wireless and Wired Support
Mirror Link	Wireless and Wired Support
External Microphone	Supported
Steering Wheel Control	Supported
Power Output	4*45W
Audio Format Support	APE/FLAC/WAV/MP3/WMA etc.
Video Format Support	MKV/RMVB/AVI/MP4/MDV etc.
Item Weight	2.03 Kilograms

Product Relevancy Information

System:	Latest Android System
Memory:	4+64GB
Processor:	8 Core
Internet Access:	WiFi
Bluetooth Version:	5.0
High Quality Sound:	DSP 32EQ
Radio:	FM RDS
Screen Resolution:	1280*720
Factory Code:	1234
Carplay & Android Auto:	Support Wireless and Wired
Mirror Link:	Support Wireless and Wired
External Mic:	Support
Steering Wheel Control:	Support
Power Output:	4*45W
Audio Format:	APE/FLAC/WAV/MP3/WMA etc
Video Format:	MKV/RMVB/AVI/MP4/MDV etc

Image 6.1: A table summarizing key product specifications including system, memory, processor, internet access, Bluetooth version, sound quality, radio, screen resolution, CarPlay/Android Auto support, Mirror Link, external mic, SWC, power output, and supported audio/video formats.

7. MAINTENANCE

To ensure the longevity and optimal performance of your Roinvou Android Radio, follow these maintenance guidelines:

- **Cleaning the Screen:** Use a soft, lint-free cloth to gently wipe the touchscreen. Avoid abrasive cleaners or harsh chemicals that could damage the display.
- **Software Updates:** Periodically check for available software updates from the manufacturer to ensure you have the latest features and bug fixes.
- **Environmental Conditions:** Avoid exposing the unit to extreme temperatures, direct sunlight for prolonged periods, or excessive moisture.
- **Cable Connections:** Ensure all cables remain securely connected. Loose connections can lead to intermittent

functionality.

8. TROUBLESHOOTING

If you encounter issues with your Roinvou Android Radio, refer to the following common troubleshooting steps:

- **No Power:** Check all power cable connections. Ensure the vehicle's ignition is on and the fuse for the radio is not blown.
- **No Sound:** Verify speaker connections. Check volume levels and ensure the mute function is not activated. Confirm audio output settings in the system menu.
- **GPS Signal Loss:** Ensure the GPS antenna is properly installed and has a clear view of the sky. Move the vehicle to an open area if signal is weak.
- **Bluetooth Connection Issues:** Ensure Bluetooth is enabled on both the head unit and your smartphone. Delete previous pairings and attempt to re-pair the devices.
- **CarPlay/Android Auto Not Connecting:** Check USB cable integrity if using a wired connection. Ensure your phone's operating system is up to date. Restart both the head unit and your phone.
- **Backup Camera Not Displaying:** Verify the camera's power and video connections. Ensure the vehicle is in reverse. Check camera settings in the unit's menu.
- **Touchscreen Unresponsive:** Perform a system reset if possible (refer to the device settings for reset options). If the issue persists, contact customer support.

9. WARRANTY INFORMATION

The Roinvou Android Radio comes with a **1-Year Warranty** from the date of purchase. This warranty covers manufacturing defects and malfunctions under normal use. It does not cover damage caused by improper installation, misuse, accidents, or unauthorized modifications. Please retain your proof of purchase for warranty claims.

10. CUSTOMER SUPPORT

For further assistance, technical support, or warranty inquiries, please contact Roinvou customer service. You can typically find contact information on the product packaging or the official Roinvou website. For Amazon purchases, you can also reach out to the seller directly through the Amazon platform.

24 Hours Customer Support

Ships from Amazon
Sold by **Roinvou**
Returns 30-day refund/replacement

24 SERVICES

Step 1: Click Roinvou Store

Have a question for Roinvou?
Ask a question

Step 2: Click Ask a question


 roinvouservices@163.com

Image 10.1: Customer support details, including an email address (roinvouservices@163.com) and instructions on how to contact the seller via Amazon for 24-hour support, refunds, or replacements.