

## OUKANING Transportrollstuhl

# OUKANING Hydraulic Patient Lift and Transfer Chair User Manual

Model: Transportrollstuhl

## 1. INTRODUCTION

This manual provides essential instructions for the safe and effective use, assembly, and maintenance of your OUKANING Hydraulic Patient Lift and Transfer Chair. Please read this manual thoroughly before initial use to ensure proper operation and to prevent injury or damage.

## 2. SAFETY INFORMATION AND WARNINGS

### Important Safety Precautions:

- **Patient Suitability:** This product is not suitable for patients who are completely paralyzed, cannot sit upright, cannot move their lower limbs, or cannot move their entire body. Ensure the user meets these criteria before use.
- **Environmental Clearance:** To ensure easy access and maneuverability, the width of the bedroom, bathroom, and door must be greater than 57 cm (22.44 inches).
- **Under-Bed Clearance:** There must be a space of at least 12 cm (4.72 inches) under the bed for this product to be used near the bed.
- **Weight Capacity:** Do not exceed the maximum load capacity of 100 kg (220.46 lbs).
- **Brakes:** Always engage the brakes on all four wheels when the lift is stationary or when transferring a patient.
- **Supervision:** Always ensure a caregiver is present to assist the patient during transfer and operation.
- **Secure Patient:** Always use the adjustable safety belt to secure the patient firmly in the chair to prevent falls.
- **Stability:** Ensure the lift is on a stable, level surface before any transfer or adjustment.

## 3. PRODUCT OVERVIEW

The OUKANING Hydraulic Patient Lift and Transfer Chair is designed to assist caregivers in safely moving patients

between beds, wheelchairs, toilets, and other seating areas. It features a robust carbon steel frame, adjustable height, and multiple functionalities for enhanced patient care.

## Key Features:

- **Durable Construction:** Made from carbon steel with bending and welding processes, ensuring resistance to impact, rust, and deformation.
- **Adjustable Height:** Seat height can be adjusted from 43 cm to 65 cm (16.93-25.59 inches) using a hydraulic pedal.
- **Comfortable Design:** Features a sponge cushion for extended sitting comfort and bilateral armrests.
- **Versatile Backrest:** The backrest supports the user's waist and back and can open 180° for easier patient transfer in various scenarios.
- **Mobility:** Equipped with four wheels, all with brakes, for easy movement and secure parking.
- **Safety Belt:** An adjustable safety belt helps stabilize the user and prevent falls.
- **Foot Pedals:** Support the user's feet, preventing injury and enhancing safety.
- **Integrated Commode:** Includes a commode pot with a lid, which can be placed under the seat for bathroom use.
- **IV Pole Support:** Features a support for hanging infusion bottles or bags (infusion items not included).

## Components:

The product includes the main lift chair, a cushion, an infusion support pole, a commode pot with a lid, and various assembly accessories.



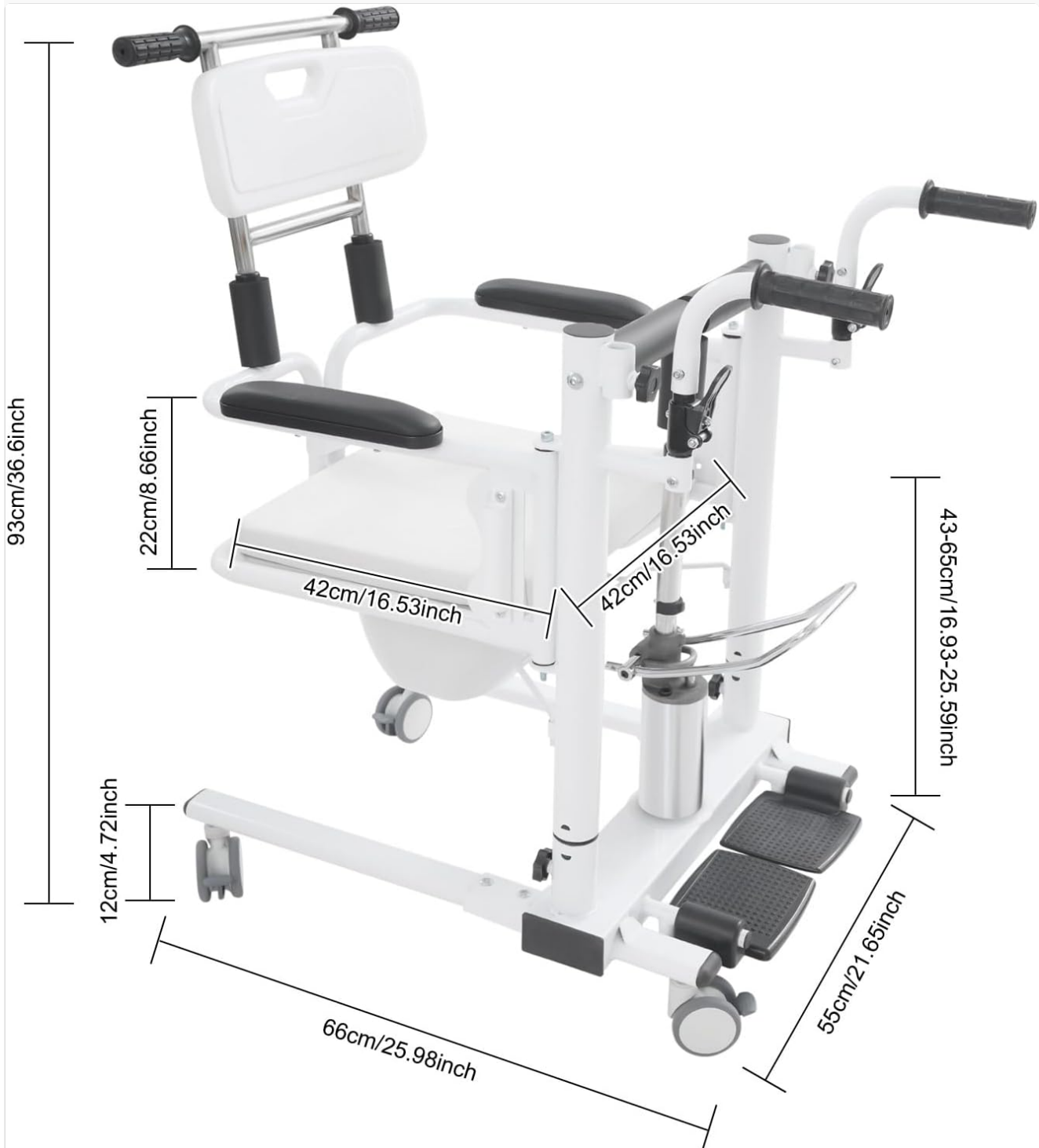
**Image 3.1:** All components included with the OUKANING Hydraulic Patient Lift, showing the main frame, seat, backrest, commode, IV pole, and various smaller parts for assembly.

## 4. ASSEMBLY INSTRUCTIONS

Assembly is required for this patient lift. Please follow these general steps. Refer to the included assembly accessories and diagrams for detailed instructions.

1. **Unpack Components:** Carefully remove all parts from the packaging. Verify that all components listed in Section 3.1 are present.

2. **Attach Wheels:** Securely attach the four wheels to the base of the lift frame. Ensure all brakes are functional.
3. **Assemble Main Frame:** Connect the main vertical and horizontal frame sections according to the provided diagrams.
4. **Install Seat and Backrest:** Attach the seat cushion and backrest to the designated areas on the frame. Ensure they are securely fastened.
5. **Attach Armrests and Foot Pedals:** Install the armrests and foot pedals.
6. **Install Hydraulic Mechanism:** Integrate the hydraulic lifting mechanism as per instructions.
7. **Attach Accessories:** Install the commode pot holder and the IV pole support.
8. **Final Check:** Before first use, inspect all connections and fasteners to ensure they are tight and secure. Test the hydraulic lift function and wheel brakes.



**Image 4.1:** Diagram showing the overall dimensions of the OUKANING Hydraulic Patient Lift, including height, width, and depth, along with seat dimensions and under-bed clearance requirements.

## 5. OPERATING INSTRUCTIONS

### 5.1 Patient Transfer

1. **Positioning:** Ensure the patient lift is positioned correctly near the patient. Engage all wheel brakes.
2. **Backrest Adjustment:** If transferring from a bed, open the backrest 180° to facilitate easier patient access.
3. **Patient Seating:** Carefully assist the patient onto the seat. Ensure they are centered and comfortable.
4. **Secure Patient:** Fasten the adjustable safety belt around the patient's waist and torso, ensuring it is snug but not restrictive.
5. **Adjust Height:** Gently press the hydraulic pedal to raise or lower the seat to the desired height for transfer.
6. **Release Brakes and Move:** Disengage the wheel brakes and carefully push the lift to the destination (e.g., toilet, another chair). Use the front and rear handles for control.
7. **Secure at Destination:** Once at the destination, engage all wheel brakes.
8. **Transfer Out:** Assist the patient in transferring out of the lift.





**Image 5.1:** An elderly man comfortably seated in the OUKANING Hydraulic Patient Lift, demonstrating its use for patient mobility.

## 5.2 Using the Commode Function

1. **Positioning:** Position the patient lift over a toilet or in a suitable area for commode use. Engage all wheel brakes.
2. **Insert Commode Pot:** Ensure the commode pot is securely placed under the seat opening.
3. **Patient Use:** Assist the patient as needed.
4. **Empty and Clean:** After use, remove the commode pot, empty its contents, and clean it thoroughly. The lid helps prevent spills and odors.



**Image 5.2:** The OUKANING Hydraulic Patient Lift showing the commode pot positioned beneath the seat, ready for use.

### 5.3 Using the IV Pole

1. **Install IV Pole:** Insert the infusion support pole into its designated slot on the lift.
2. **Hang Infusion:** Hang the infusion bottle or bag (not included) onto the hook at the top of the pole.
3. **Monitor:** Ensure the infusion is flowing correctly and monitor the patient as required.





**Image 5.3:** The OUKANING Hydraulic Patient Lift equipped with an IV pole for infusion support and an adjustable safety belt for patient security.

## 6. MAINTENANCE

- **Cleaning:** Regularly clean the frame and all surfaces with a mild disinfectant and a soft cloth. Avoid abrasive cleaners.
- **Cushion Care:** The sponge cushion can be wiped clean. Ensure it is dry before reuse.
- **Commode Pot:** Clean the commode pot thoroughly after each use to maintain hygiene.
- **Inspection:** Periodically inspect all bolts, screws, and moving parts for tightness and wear. Tighten any loose fasteners.
- **Wheel Brakes:** Check the functionality of the wheel brakes regularly.
- **Hydraulic System:** If the hydraulic system shows signs of malfunction (e.g., difficulty lifting, leaking fluid), discontinue use immediately and contact customer support.
- **Storage:** Store the lift in a dry, clean environment when not in use.

## 7. TROUBLESHOOTING

If you encounter any issues with your OUKANING Hydraulic Patient Lift, please refer to the following common troubleshooting tips:

- **Lift not raising/lowering:** Check if the hydraulic pedal is being fully engaged. Ensure no obstructions are preventing movement. If the issue persists, the hydraulic system may require professional inspection.
- **Wheels not moving freely:** Check for debris caught in the wheels. Ensure brakes are fully disengaged.
- **Instability:** Verify that all four wheels are on a level surface and that all fasteners are tight. Ensure the patient's weight is within the specified limit and evenly distributed.

For problems not addressed here, or if issues persist, please contact OUKANING customer support.

## 8. SPECIFICATIONS

Feature	Specification
Brand	OUKANING
Model Number	Transportrollstuhl
Material	Carbon Steel, Sponge
Color	White

Feature	Specification
Load Capacity	Up to 100 kg (220.46 lbs)
Adjustable Seat Height	43-65 cm (16.93-25.59 inches)
Total Product Dimensions	55 x 66 x 93 cm (21.65 x 25.98 x 36.6 inches)
Seat Cushion Dimensions	42 x 42 cm (16.53 x 16.53 inches)
Number of Wheels	4 (all with brakes)
Net Weight	31.35 kg
Assembly Required	Yes

## 9. WARRANTY AND SUPPORT

Warranty information for the OUKANING Hydraulic Patient Lift and Transfer Chair is not provided within this manual. For details regarding warranty coverage, claims, or technical support, please refer to the product's packaging, your purchase documentation, or contact OUKANING customer service directly through their official website or the retailer from whom the product was purchased.