

Rok C80A606

Rok Hardware Pivot Pro C80 Series Hinge

Model: C80A606 - 155-Degree Self-Closing Cabinet Hinge

1. INTRODUCTION

This manual provides detailed instructions for the installation, operation, and maintenance of your Rok Hardware Pivot Pro C80 Series 155-Degree Self-Closing Cabinet Hinge, model C80A606. This European-style hinge is designed for corner cabinets, including Lazy Susan applications, offering a wide 155-degree opening angle and convenient 2-way cam adjustability.

Key Features:

- **Self-Closing Mechanism:** Integrated spring automatically pulls the door to a closed position.
- **Wide Opening Angle:** 155-degree opening for enhanced accessibility in corner cabinets.
- **2-Way Cam Adjustable:** Allows for precise side-to-side and depth adjustments.
- **Snap-On Installation:** Facilitates quick and straightforward assembly.
- **Durable Construction:** Crafted from cold-rolled steel with a corrosion-resistant nickel-plated finish.
- **Versatile Application:** Suitable for cabinet doors ranging from 16mm to 24mm thick.

2. SAFETY INFORMATION

Please read all instructions carefully before installation. Failure to follow these guidelines may result in injury or damage to the product or cabinet. Always wear appropriate safety gear, such as eye protection, during installation. If you are unsure about any step, consult a qualified professional.

- Keep small parts away from children.
- Use only the recommended tools for installation.
- Be aware of sharp edges on tools and hinge components.
- Ensure the cabinet structure is sound and capable of supporting the door and hinge assembly.

3. PACKAGE CONTENTS

Verify that all components are present before beginning installation:

- 1 x Rok Hardware Pivot Pro C80 Series Hinge (Model C80A606)
- Mounting screws

Note: The base mounting plate is sold separately. Ensure you have the correct base plate (e.g., 89H00AQ for frameless or 88H10JQ for faceframe) for your cabinet type.



Image: Rok Hardware Pivot Pro C80 Series Hinge shown with recommended frameless (89H00AQ) and faceframe (88H10JQ) mounting plates, which are sold separately.

4. SETUP AND INSTALLATION

Tools Required:

- Drill
- 35mm Forstner bit
- Screwdriver (Phillips head recommended)

- Measuring tape or ruler
- Pencil

Installation Steps:

1. Step 1: Prepare the Cabinet Door

Mark the drilling position for the 35mm hinge cup on the inside of your cabinet door. The hinge cup depth is 11.5mm. Refer to the diagrams below for precise drilling distances (K) from the door edge, which typically range from 3-6mm depending on your desired overlay.

Φ 35mm Hinge cup types			
		<p>Use these formulas to determine the type of hinge arm, the drilling distance "K" and the height of the mounting plate "H" for each door application.</p>	
Nickel plated(A01)			
C80 Series 155° snap-on cam-adjustable soft-close hinges			
Full overlay C=0	Small overlay C=4	Half overlay C=9	Inset C=18
<p>K=5, for full overlay D=16±2mm, H=0 mounting plate only</p>	<p>K=5, for small overlay D=12±2mm, H=4 mounting plate only</p>	<p>K=5, for half overlay D=7±2mm, H=9 mounting plate only</p>	<p>K=5, for inset door, H=18 mounting plate only</p>
<p>Item No.</p>	<p>Item No.</p>	<p>Item No.</p>	<p>Item No.</p>
<p>Soft-close C80A606F</p>	<p>Soft-close C80A606F</p>	<p>Soft-close C80A606F</p>	<p>Soft-close C80A606F</p>
<p>Sprung C80A606</p>	<p>Sprung C80A606</p>	<p>Sprung C80A606</p>	<p>Sprung C80A606</p>

Image: Diagram illustrating 35mm hinge cup types, drilling distances (K), and screw hole spacing (48mm).

Using a drill with a 35mm Forstner bit, carefully drill the hinge cup hole to a depth of 11.5mm at the marked position. Ensure the hole is clean and free of debris.

2. Step 2: Attach Hinge to Door

Insert the hinge cup into the drilled hole on the cabinet door. Align the hinge body and secure it to the door using the provided mounting screws. The screw hole distance on the hinge is 48mm.



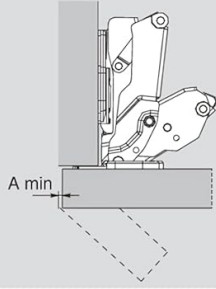
Image: Close-up view of the hinge showing the adjustment screws and mounting points.

3. **Step 3: Install Mounting Plate (Sold Separately)**

Determine the appropriate position for your base mounting plate on the cabinet frame. This position will vary based on your cabinet type (frameless or faceframe) and desired overlay (full, half, or inset). Refer to the application diagrams for guidance on mounting plate placement and drilling distances.

PLANNING

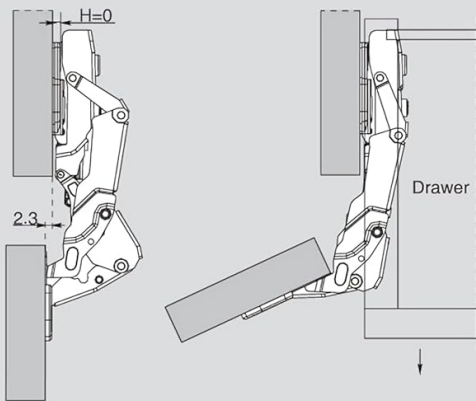
Space needed to open the door



	T=	16	17	18	19	20	21	22	23	24		
K=3	A=	0	0	0	0	0	0	0	0	0		
K=4	A=	0	0	0	0	0	0	0	0	0		
K=5	A=	0	0	0	0	0	0	0	0	0		
K=6	A=	0	0	0	0	0	0	0	0	0		

Application

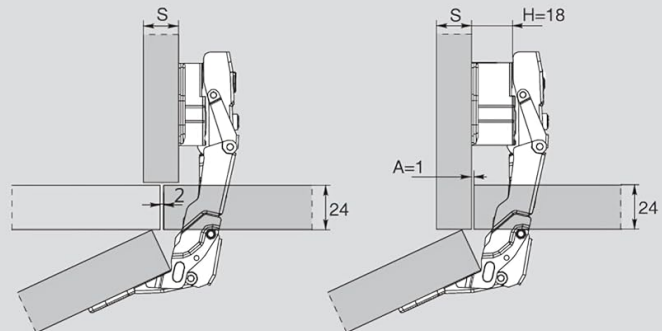
The door combined with a mounting plate H=0, opens at 90° with a 2.3mm protrusion allowing objects (e.g. drawers) move from inside of the cabinet.



Full overlay C=0

No gap is required when door thickness is less than 24mm.

A trial assembly is recommended when door thickness is more than 24mm.



Half overlay C=9

Inset C=18

Image: Planning and application diagram showing hinge operation with different overlays and door thicknesses.

Secure the base mounting plate to the cabinet frame using appropriate screws (typically provided with the base plate).

4. Step 4: Attach Door to Cabinet

Align the hinge arm with the installed base mounting plate. The snap-on design allows for easy attachment. Gently press the hinge onto the plate until it clicks securely into place.



EASY INSTALLATION

The hinge features a screw-on fixing type and a cup boring diameter of 35mm (1-3/8"), making it easy to install and integrate into your cabinet design. Wood screws are included, so you never have to worry about which screws to use.

Note: Base mounting plate is sold separately.

Image: Visual representation of the hinge installation process on a cabinet, highlighting ease of installation.

5. Step 5: Adjust the Hinge

The C80 Series hinge features 2-way cam adjustability for side-to-side and depth adjustments. Use a screwdriver to turn the adjustment screws on the hinge arm to achieve perfect door alignment. Height adjustment is possible with certain base mounting plates.

5. OPERATING THE HINGE

The Rok Hardware Pivot Pro C80 Series hinge is designed for smooth and reliable operation. It features a self-closing spring mechanism, meaning the door will automatically pull itself shut when gently pushed towards the closed position. The 155-degree opening angle provides maximum access to the cabinet interior, which is particularly beneficial for corner cabinets and Lazy Susan units, allowing roll-out trays to clear the opening without obstruction.

6. MAINTENANCE

To ensure the longevity and smooth operation of your Rok Hardware hinges, follow these simple maintenance guidelines:

- **Cleaning:** Periodically wipe the hinges with a soft, damp cloth to remove dust and grime. Avoid using abrasive cleaners, harsh chemicals, or solvents, as these can damage the nickel-plated finish.
- **Lubrication:** If the hinges begin to squeak or feel stiff, apply a small amount of silicone-based lubricant to the moving joints. Do not use oil-based lubricants, as they can attract dust and dirt.
- **Tightness Check:** Regularly check all mounting screws for tightness. Over time, screws can loosen, affecting door alignment and hinge performance. Tighten any loose screws gently to avoid stripping.

7. TROUBLESHOOTING

If you encounter issues with your hinge, refer to the following common problems and solutions:

- **Problem: Door does not close fully or remains slightly ajar.**
Solution: Check for any obstructions in the cabinet opening. Ensure the hinge is properly aligned and securely snapped onto the mounting plate. Use the cam adjustment screws to fine-tune the depth and side-to-side position until the door closes completely and flush with the cabinet frame.
- **Problem: Door is sagging or misaligned vertically.**
Solution: This hinge offers 2-way adjustment (side-to-side and depth). For vertical (height) adjustment, ensure you are using a base mounting plate that supports this feature. If your base plate allows for height adjustment, follow its specific instructions. Otherwise, re-check the initial installation of the base plate and hinge for proper alignment.
- **Problem: Hinge is squeaking during operation.**
Solution: Apply a small amount of silicone-based lubricant to the hinge joints and pivot points. Open and close the door several times to distribute the lubricant.
- **Problem: Hinge feels loose or wobbly.**
Solution: Check all mounting screws on both the hinge and the base plate. Tighten any loose screws. Avoid overtightening, which can strip the screw holes.

8. SPECIFICATIONS

Detailed specifications for the Rok Hardware Pivot Pro C80 Series Hinge (Model C80A606):

Feature	Specification
Model Number	C80A606
Opening Angle	155 Degrees
Closing Type	Self-Close (Sprung)
Adjustment Type	2-Way Cam Adjustable (Side-to-side, Depth)
Hinge Type	Clip-On / Snap-On
Material	Cold-Rolled Alloy Steel
Finish	Nickel Plated
Hinge Cup Diameter	35mm (1-3/8")
Hinge Cup Depth	11.5mm

Feature	Specification
Screw Hole Distance (Hinge)	48mm
Range of Door Thickness	16mm - 24mm
Possible Drilling Distances (K) on door	3mm - 6mm
Mounting Type	Screw-On (for hinge to door)
Application Type	Lazy Susan / Corner Cabinet

9. WARRANTY AND SUPPORT

Rok Hardware products are manufactured to high-quality standards. For specific warranty information or technical support, please refer to the official Rok Hardware website or contact their customer service directly. Keep your purchase receipt for warranty claims.

For further assistance, please visit the [Rok Store on Amazon](#).