

[Manuals.plus](#) /

> [Garden Winds](#) /

> Garden Winds Replacement Canopy Top Cover Instruction Manual for Member's Mark 13' x 13' Butterfly Pavillion (Model TPGAZ2005)

Garden Winds TPGAZ2005

Garden Winds Replacement Canopy Top Cover Instruction Manual

For Member's Mark 13' x 13' Butterfly Pavillion (Model TPGAZ2005)

1. INTRODUCTION

This manual provides essential information for the proper installation, use, and maintenance of your Garden Winds Reinforced Replacement Canopy Top Cover. This product is specifically designed to replace the canopy top for the Member's Mark 13' x 13' Butterfly Pavillion, model number TPGAZ2005. Please ensure your gazebo frame matches this model for a correct fit. The package includes the replacement canopy top only; the metal frame, mosquito netting, and privacy curtains are not included.



This image shows the Garden Winds Replacement Canopy Top Cover installed on a compatible 13' x 13' Butterfly Pavillion gazebo, demonstrating its appearance in an outdoor environment.

2. SAFETY INFORMATION

- Always exercise caution when working with ladders or elevated structures.

- Ensure the gazebo frame is stable and securely anchored before attempting canopy installation.
- Do not install the canopy during high winds, heavy rain, or other adverse weather conditions.
- Inspect the canopy regularly for any signs of wear, tear, or damage. Replace if significantly compromised.
- Keep children and pets away from the installation area to prevent accidents.

3. PACKAGE CONTENTS

Your package should contain the following item:

- One (1) Garden Winds Reinforced Replacement Canopy Top Cover (Classic Sand, Riplock 500 fabric)

Note: This product is a replacement canopy top only. The gazebo frame, side walls, mosquito netting, and any other accessories are sold separately and are not included with this purchase.

4. COMPATIBILITY AND VERIFICATION

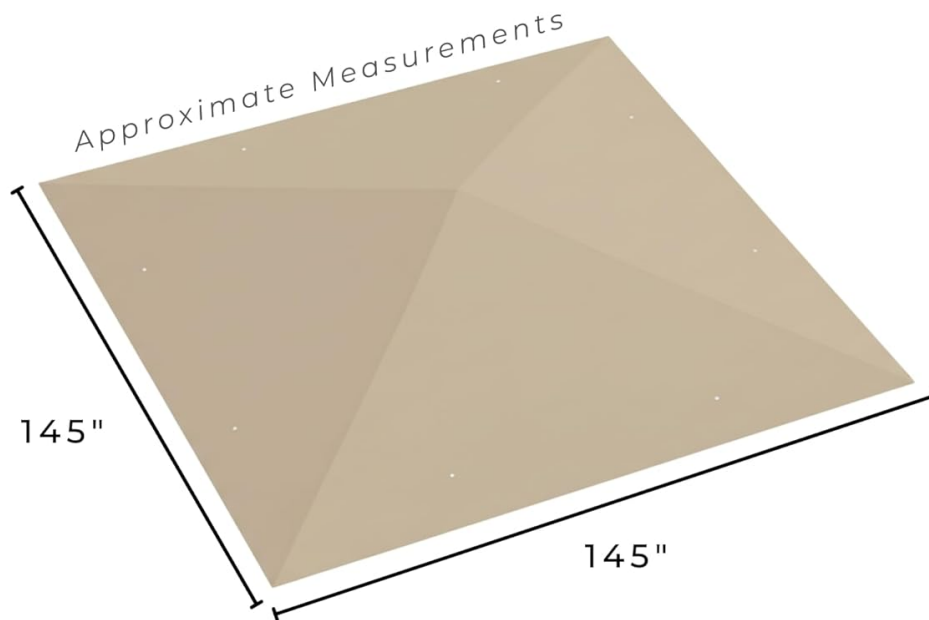
It is crucial to verify that your existing gazebo frame is compatible with this replacement canopy. This canopy is custom-made to fit the Member's Mark 13' x 13' Butterfly Pavillion, model number **TPGAZ2005**.

4.1 Verify Model Number and Measurements

Before installation, confirm your gazebo's model number. You can often find this on a label on one of the frame legs or in your original gazebo manual. Additionally, measure your existing canopy or frame to ensure it matches the approximate dimensions of 145 inches by 145 inches.

PLEASE CHECK YOUR MODEL

Compatible with the following model numbers:
TPGAZ2005



COMPATIBILITY



This diagram illustrates the approximate dimensions of the replacement canopy top, measuring 145 inches by 145 inches, and confirms compatibility with the TPGAZ2005 model.

4.2 Verify Frame Details

Examine the specific design of your gazebo frame, particularly the roof structure and corner connections, to ensure it matches the design intended for this replacement canopy. Refer to the images below for common frame identification points.

VERIFY YOUR FRAME DETAILS



FRAME IDENTIFICATION



This image provides six detailed views of various gazebo frame components, including roof corners, central supports, and leg bases, to assist users in identifying their specific frame type for proper canopy fit.

5. SETUP INSTRUCTIONS

Follow these steps to install your new replacement canopy top. It is recommended to have at least two people for installation.

1. **Remove Old Canopy:** Carefully remove your old canopy top from the gazebo frame. Note how it was attached, as this will guide the installation of the new canopy.
2. **Inspect Frame:** Before installing the new canopy, inspect the gazebo frame for any damage, rust, or loose connections. Repair or tighten as necessary to ensure a stable structure.
3. **Unfold New Canopy:** Unfold the new Garden Winds replacement canopy top. Identify the top side and the corners.
4. **Position Canopy:** With assistance, carefully lift the new canopy onto the gazebo frame. Align the corners of the canopy with the corners of the frame.
5. **Secure Corners:** Begin by securing the canopy to two opposite corners of the frame. This helps to hold it in place while you work on the remaining corners.
6. **Attach Remaining Corners:** Stretch the canopy to fit over the remaining corners of the frame. This may require some gentle pulling. Ensure the canopy is evenly distributed and taut.

7. **Fasten Attachments:** Secure any remaining attachment points, such as Velcro straps or ties, to the frame as per the original canopy's design. Ensure all connections are firm to prevent the canopy from shifting in the wind.
8. **Final Adjustment:** Once all corners and attachments are secured, make any final adjustments to ensure the canopy is taut and properly aligned on the frame.

6. OPERATING INSTRUCTIONS (USAGE GUIDELINES)

While the canopy is designed for outdoor use, proper operation and care will extend its lifespan.

- **Weather Conditions:** Although the canopy is water-resistant and UV-protected, it is recommended to remove the canopy top during severe weather conditions, such as heavy snow, strong winds, or hail, to prevent damage to both the canopy and the gazebo frame.
- **Water Accumulation:** Periodically check for water accumulation on the canopy, especially after rain. If water pools, gently push up from underneath to release it. Prolonged pooling can stretch the fabric and compromise its integrity.
- **Ventilation:** Ensure adequate ventilation under the canopy, especially on hot days, to prevent heat buildup.

7. MAINTENANCE

Regular maintenance will help preserve the appearance and functionality of your canopy.

7.1 Cleaning

- Clean the canopy periodically with mild soap and lukewarm water.
- Use a soft brush or cloth to gently scrub away dirt and debris.
- Rinse thoroughly with clean water and allow the canopy to air dry completely before folding or storing.
- Do not use harsh chemicals, bleach, or abrasive cleaners, as these can damage the fabric and its protective coatings.

7.2 Storage

- If storing the canopy for an extended period, ensure it is completely dry to prevent mold and mildew.
- Fold it neatly and store it in a cool, dry place away from direct sunlight and extreme temperatures.



DURABLE



**WATER
RESISTANT**



UV PROTECTED

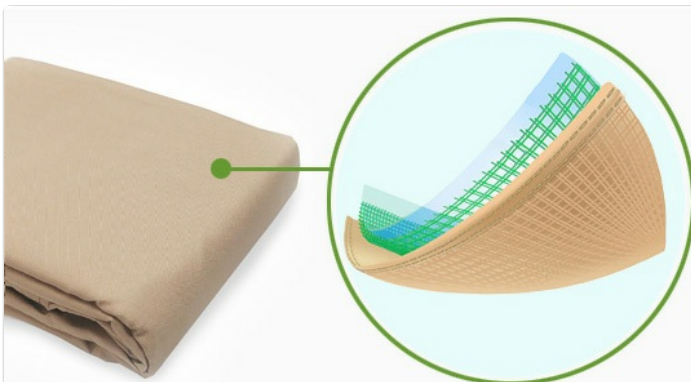


**FIRE
RESISTANT**

BUILT FOR THE ELEMENTS



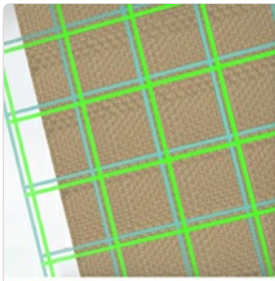
This graphic emphasizes the key protective features of the canopy: durability, water resistance, UV protection, and fire resistance, indicating its suitability for outdoor conditions.



Replace it with RipLock.

-  Anti-Rip Performance Fabric
-  Superior Seam Strength
-  Excellent Ultraviolet Protection Factor 50+

This diagram visually explains the advanced RipLock fabric technology, showcasing its anti-rip properties, reinforced seams, and high UPF 50+ ultraviolet protection factor.



Double Riplock Technology
Double walled gridlines designed to provide double the strength and durability



Ultra Stitch
Reinforced 4 ply thread stitching gives seams superior pull strength



UPF 50+
Garden Winds canopies are rated UPF 50+ to provide you excellent protection from the sun



Made for the Outdoors
Fabric designed to be both water resistant and fire resistant for optimal outdoor performance

This image details four key features: Double Riplock Technology for strength, Ultra Stitch for seam durability, UPF 50+ for sun protection, and its design for outdoor use, including water and fire resistance.

8. TROUBLESHOOTING

Refer to the table below for common issues and their potential solutions.

Problem	Possible Cause	Solution
Canopy does not fit or is too large/small.	Incorrect model number or measurements.	Verify your gazebo's model number (TPGAZ2005) and compare its dimensions to the canopy's 145" x 145" specifications. Ensure the frame type matches.
Canopy leaks during rain.	Water pooling, seam integrity, or fabric saturation.	Ensure the canopy is installed tautly to prevent water pooling. While water-resistant, the canopy is not fully waterproof; consider applying a fabric sealant for enhanced water repellency. Inspect seams for any damage.
Canopy sags or is loose.	Improper installation or stretching over time.	Re-adjust the canopy, ensuring all corners are fully seated and attachment points (Velcro, ties) are securely fastened.

9. SPECIFICATIONS

Key specifications for the Garden Winds Reinforced Replacement Canopy Top Cover:

Feature	Detail
Brand	Garden Winds
Material	Riplock 500 Polyester (525 denier)
Product Dimensions	145"L x 145"W
Item Weight	9 Pounds
Water Resistance Level	Water Resistant

Feature	Detail
Ultraviolet Light Protection	Yes (UPF 50+)
Assembly Required	No (for the canopy itself)
Color	Classic Sand
UPC	717964085423

10. WARRANTY AND SUPPORT

10.1 Warranty Information

This Garden Winds Replacement Canopy Top Cover is backed by a **1-year limited performance warranty**. This warranty covers manufacturing defects and material failures under normal use conditions. Please retain your proof of purchase for warranty claims.

10.2 Customer Support

For any questions regarding fit, product issues, or warranty claims, please contact Garden Winds customer support. Our US-based customer support team is available to assist you.

- **Website:** [Visit the Garden Winds Store on Amazon](#)
- Refer to your original purchase documentation for direct contact information.