



Manuals.plus /

› **ALEXNUTRE /**

› ALEXNUTRE Vanity Desk with Mirror & Lights User Manual

ALEXNUTRE Vanity Desk 5698

ALEXNUTRE Vanity Desk with Mirror & Lights

USER MANUAL

Model: Vanity Desk 5698



Image: The ALEXNUTRE Vanity Desk featuring a lighted mirror, RGB cabinets, and multiple storage drawers.

Important Safety Information

Always unplug the vanity before assembly, usage, or cleaning. Be cautious of sharp edges and pinch points. Keep electrical components away from water. Do not exceed the weight limit of the vanity.

1. Setup and Assembly

This vanity desk requires assembly. Please follow the instructions carefully. All pieces are well-marked for easier identification.

- Unpack all components and verify against the parts list provided in the packaging.
- Identify all wooden panels, hardware, and electrical components.
- Assemble the main desk frame first, ensuring all connections are secure.
- Install drawers and cabinets according to the numbered steps.

- Attach the mirror and top shelf unit, connecting any necessary wiring for lighting.
- Ensure all electrical connections for the mirror and RGB lights are properly secured before plugging into a power source.



Image: Overview of vanity desk components and assembly process, showing various parts and their arrangement.



Image: Detailed view highlighting adjustable shelves within cabinets, the elegant diamond handles on drawers, and the unique curved design elements of the vanity.

2. Operating Instructions

2.1. LED Lighted Mirror Operation

The built-in LED mirror offers three lighting modes and adjustable brightness.

- **Changing Light Modes:** Lightly press the touch switch on the mirror to cycle through Cold White, Warm White, and Warm Yellow light modes.
- **Adjusting Brightness:** Long-press the touch switch to increase or decrease the brightness. Release when the desired brightness is achieved.



Image: The LED mirror displaying its three distinct lighting modes: bright cold white, soft warm white, and cozy warm yellow, illustrating the adjustable color temperature feature.

2.2. RGB Cabinet and Desktop Lighting

The vanity features two RGB systems: one for the transparent cabinets and another LED strip around the desktop. These lights offer extensive customization.

- **Color Selection:** Access over 60,000 colors via the dedicated app control or the included RGB key remote.
- **Timing Function:** Set a timer for the lights to turn off automatically.
- **Music Sync Function:** The lights can dance to the rhythm of music detected by the built-in sensitivity microphone.
- **App Control:** Download the specified app (details in packaging) for advanced control over colors, modes, and functions.

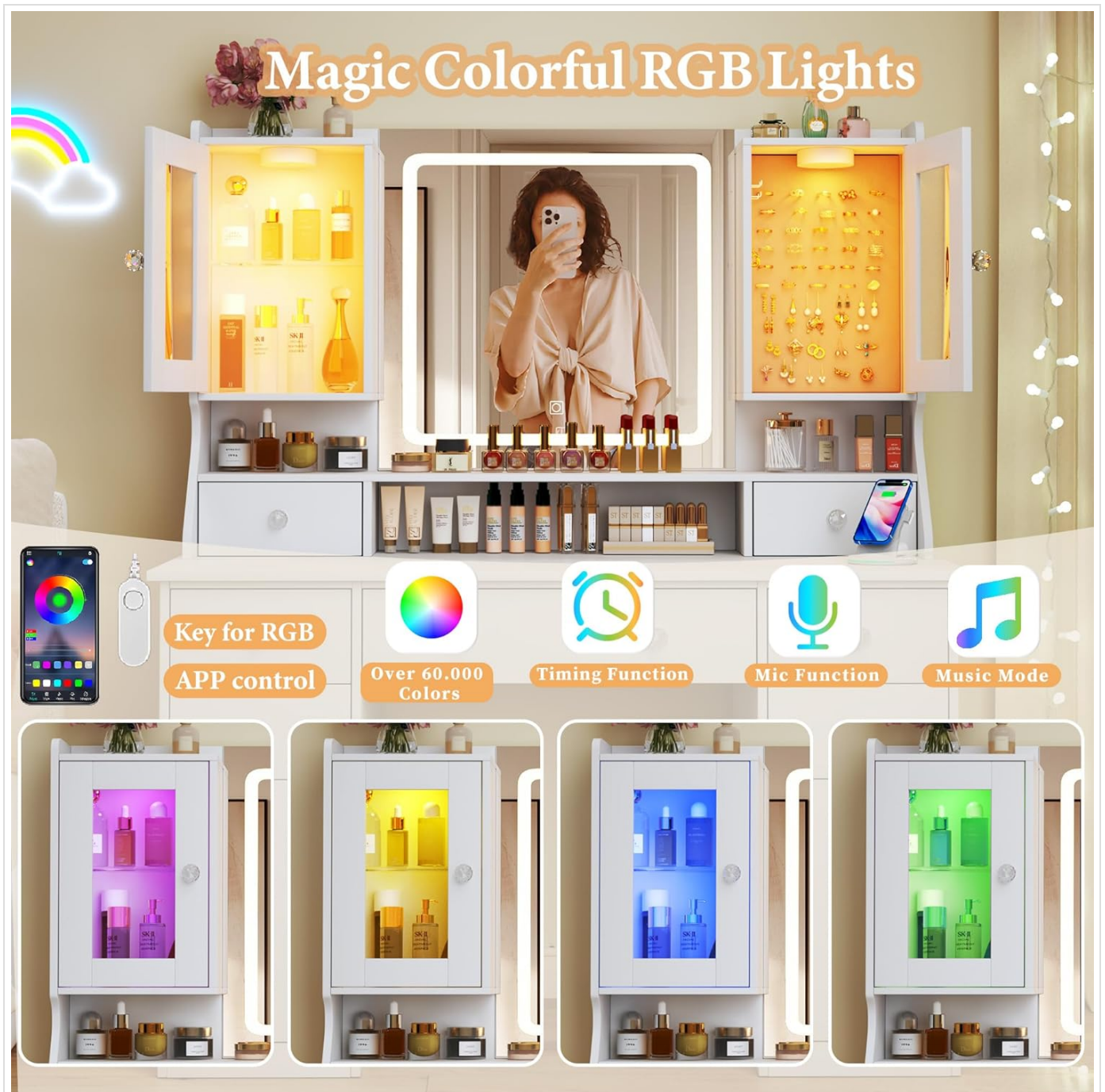


Image: An illustration of the RGB lighting system, showcasing the app control interface, the wide color spectrum available, timing function, microphone sensitivity, and music synchronization mode.

2.3. Charging Station Usage

The integrated charging station provides convenient power access for your devices.

- The station includes 2 AC Outlets (125V/12A), 2 PD20W Type-C Outlets, and 2 USB Ports (5V/2A).
- Plug in your hairdryer, curling iron, phone, or other electronic devices as needed.
- Ensure devices are compatible with the provided voltage and amperage.



Image: A close-up view of the built-in power strip, clearly showing the two standard AC outlets, two Type-C PD20W outlets, and two 5V/2A USB ports for charging multiple devices.

2.4. Storage Features

The vanity offers extensive storage solutions for various items.

- **Drawers:** Utilize the 7 large wooden drawers for cosmetics, tools, and other accessories.
- **Cabinets:** The 2 large storage cabinets and 2 RGB cabinets provide ample space for larger items or display.
- **Jewelry Cabinet:** A dedicated jewelry storage cabinet is designed to organize rings, earrings, and necklaces, making them easy to find.
- **Shelves:** Use the long open shelf and stable top shelf for additional storage or decorative items.

Adjustable 3 Color Lighting LED Mirror



Image: A detailed view of the specialized jewelry storage cabinet, showcasing its interior with various compartments and hooks designed to neatly organize rings, earrings, and necklaces.

3. Maintenance and Care

- **Cleaning:** Wipe surfaces with a soft, damp cloth. Avoid abrasive cleaners or harsh chemicals that may damage the finish.
- **Dusting:** Regularly dust all surfaces, including the mirror and light fixtures, to maintain clarity and brightness.
- **Electrical Components:** Ensure all electrical connections are dry and free from dust. Do not spray liquids directly onto electrical parts.
- **Drawer Slides:** If drawers become stiff, apply a small amount of silicone lubricant to the drawer slides.
- **Mirror Care:** Clean the mirror with a glass cleaner and a lint-free cloth.

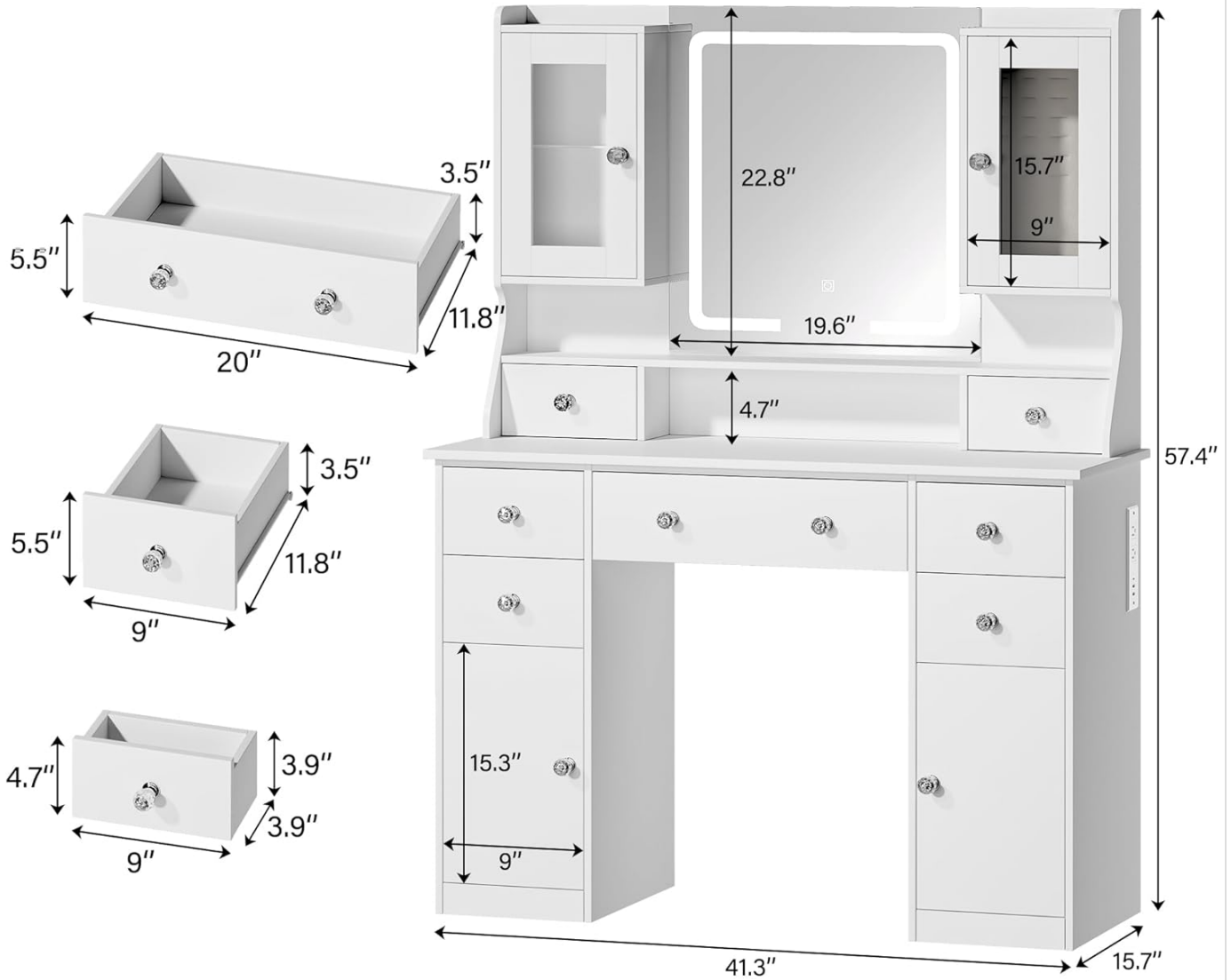
4. Troubleshooting

Problem	Possible Cause	Solution
Mirror lights not turning on or dim.	Power cord not fully plugged in; touch switch malfunction; low power supply.	Ensure the power cord is securely plugged into both the vanity and the wall outlet. Try long-pressing the touch switch to adjust brightness. If issues persist, contact customer support.
RGB lights not responding or showing incorrect colors.	Remote control batteries depleted; app not connected; loose connection.	Check and replace batteries in the remote control. Ensure the app is correctly paired via Bluetooth. Verify all RGB light connections are secure.
Charging station not providing power.	Vanity not plugged in; power strip switch off; device not compatible.	Confirm the vanity is plugged into a live outlet. Check if there's a power switch on the strip itself. Ensure your device's power requirements match the station's output.
Drawers are difficult to open/close.	Overloaded drawer; misaligned slides; debris in slides.	Reduce the weight in the drawer. Check if the drawer is properly seated on its slides. Clean any debris from the drawer slides and apply lubricant if necessary.

5. Specifications

Feature	Detail
Model Number	Vanity Desk 5698
Dimensions (L x W x H)	57 x 42 x 15.75 inches (57"D x 42"W x 15.75"H)
Item Weight	114.9 pounds
Frame Material	Engineered Wood
Furniture Finish	MDF
Color	White
Lighting	LED Mirror (3 modes), RGB Cabinets & Desktop Strip (60,000+ colors)
Charging Station	2 AC Outlets (125V/12A), 2 Type-C Outlets (PD20W), 2 USB Ports (5V/2A)
Storage	7 Drawers, 2 Large Storage Cabinets, 2 RGB Cabinets, Jewelry Cabinet, Open Shelves
Assembly Required	Yes

PRODUCT SIZE



PLEASE NOTE: The package does not include battery.

Image: A detailed diagram illustrating the overall dimensions of the vanity desk, including width, depth, and height, along with individual drawer and cabinet measurements.

6. Warranty and Support

For any questions, concerns, or assistance with your ALEXNUTRE Vanity Desk, please contact our customer support.

- **Returns:** This product is eligible for a 30-day easy return policy. Please refer to your purchase platform for specific return instructions.
- **Customer Support:** For technical support or warranty inquiries, please visit the ALEXNUTRE Store on Amazon or contact the seller directly through your order details.
- **Protection Plans:** Additional protection plans may be available for purchase. Refer to your purchase details for more information.