



[Manuals.plus](#) /

> [YITAHOME](#) /

> YITAHOME 48 Inch Floating Vanity with Quartz Stone Countertop and Oak Veneer - Instruction Manual

YITAHOME MAYIHRqRd1

YITAHOME 48 Inch Floating Vanity with Quartz Stone Countertop and Oak Veneer - Instruction Manual

Model: MAYIHRqRd1 | Brand: YITAHOME

INTRODUCTION

This manual provides detailed instructions for the assembly, installation, operation, and maintenance of your YITAHOME 48 Inch Floating Vanity. Please read all instructions carefully before beginning assembly and retain this manual for future reference. This vanity features a durable quartz stone countertop, oak veneer cabinetry, two soft-close doors, and two smooth-gliding drawers, designed for modern bathroom environments.



Image: The YITAHOME 48 Inch Floating Vanity installed in a contemporary bathroom, showcasing its black finish, white quartz countertop, and gold-toned hardware.

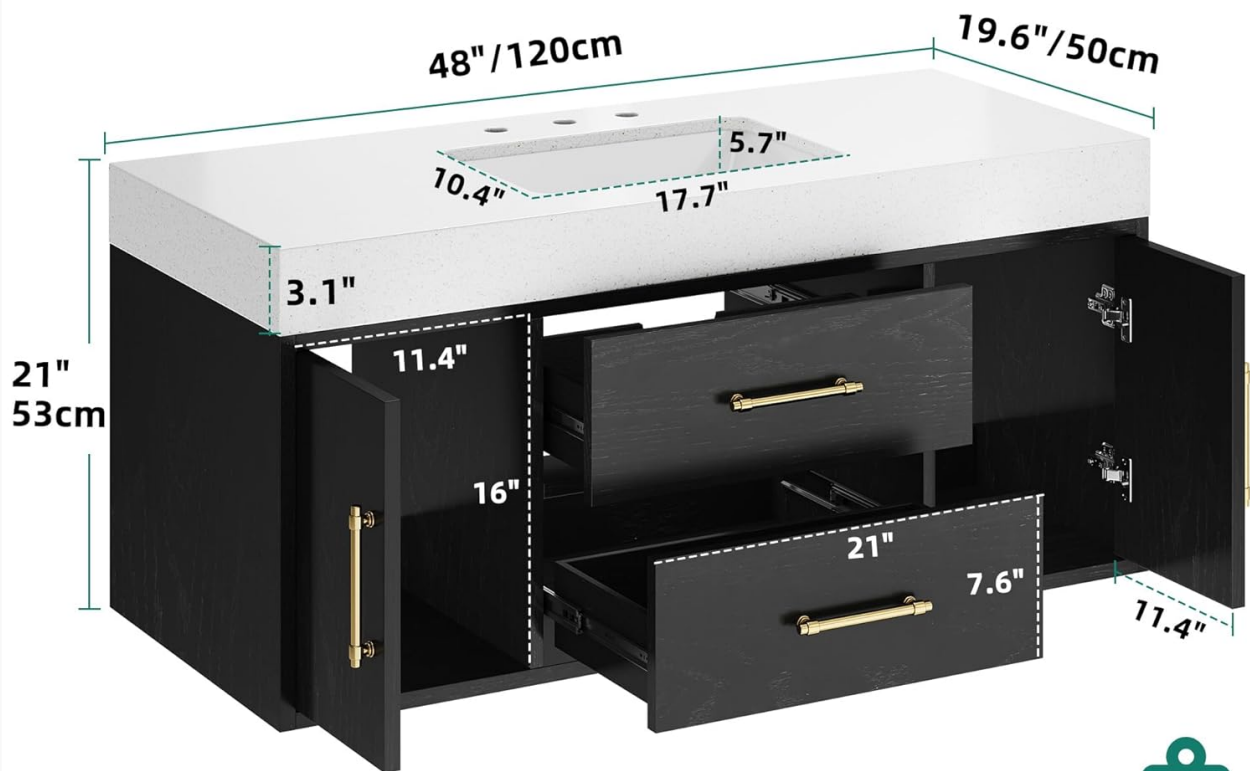
SETUP AND INSTALLATION

Assembly of the YITAHOME floating vanity is required. It is recommended to have at least two people for installation due to the size and weight of the unit. Ensure all components are present before starting.

1. Unpacking and Component Check

- Carefully unpack all parts and hardware.
- Verify all items against the included parts list. Contact customer support immediately if any parts are missing or damaged.
- Note: The product is packed in two separate packages. Delivery times may vary for each package.

PRODUCT SIZE



NOTE: PACKED IN 2 PACKAGES

Reaching time may differ per package, but the gap between them will not exceed 3 days.

Image: Diagram illustrating the overall dimensions of the vanity: 48 inches wide, 19.6 inches deep, and 21 inches high. Sink dimensions are also shown.

2. Assembly Instructions

Follow the clear picture instructions provided in the separate assembly guide. Key steps typically include:

1. Assemble the cabinet frame using the provided hardware.
2. Install the soft-close hinges on the doors and attach them to the cabinet.
3. Assemble and install the drawers with their smooth sliding rails.
4. Place the quartz stone countertop onto the assembled cabinet.

3. Wall Mounting

This is a wall-mounted vanity. Ensure the wall structure is capable of supporting the weight of the vanity (approximately 138.9 lbs) plus contents. Use appropriate wall anchors and mounting hardware suitable for your wall type. It is recommended to mount the vanity to wall studs for maximum stability. Consult a professional if unsure about wall mounting procedures.



Image: The wall-mounted vanity with a vacuum cleaner underneath, demonstrating the ease of cleaning the floor space below.

4. Plumbing Connections

The countertop features a pre-drilled ceramic basin and three pre-drilled faucet holes. Install your chosen faucet and connect plumbing according to local codes and manufacturer instructions. Ensure all connections are watertight before use.

MULTIPLE STORAGE SPACE



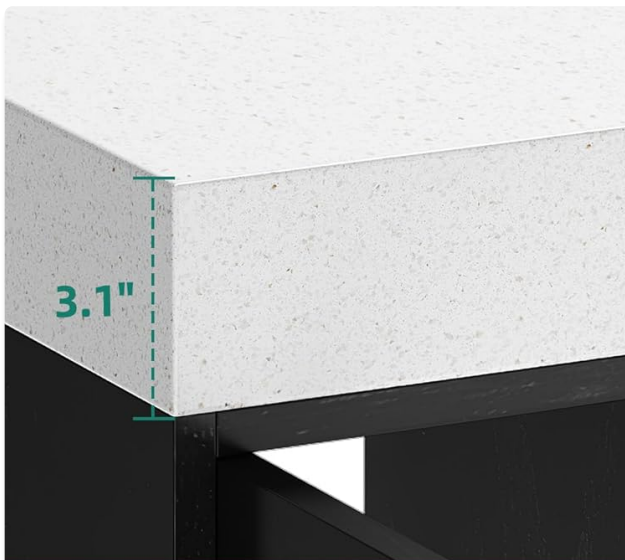
Image: A four-panel image detailing the vanity's features: the 3.1-inch thick quartz stone countertop, a gold-toned metal handle, the three pre-drilled holes for a faucet, and the soft-close hinges on the cabinet doors.

OPERATION

The YITAHOME floating vanity is designed for convenient daily use in your bathroom.

Storage Access

- **Doors:** The two side doors are equipped with soft-close hinges, allowing them to close gently and quietly. Use the metal handles to open and close.
- **Drawers:** The two central drawers feature smooth-gliding rails for easy opening and closing. These are ideal for organizing smaller bathroom essentials.



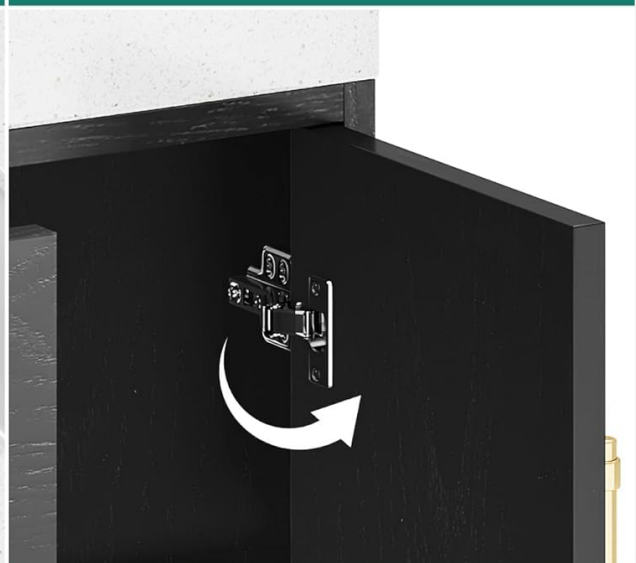
Thickened Quartz Stone Countertop



Metal Handle



3 Pre-drilled Faucet



Soft Close Hinges

Image: The vanity with its two side cabinets and two central drawers open, revealing ample storage space for various bathroom items.

Countertop Usage

The quartz stone countertop provides a durable and spacious surface for daily routines. It is scratch-resistant and easy to clean, suitable for holding toiletries and decorative items.

Your browser does not support the video tag.

Video: An overview of the YITAHOME Floating Vanity, showcasing its design, features, and storage capabilities in a bathroom setting.

MAINTENANCE

Proper care will ensure the longevity and appearance of your YITAHOME vanity.

Quartz Stone Countertop Care

- Clean daily with a soft cloth and mild soap and water.
- Avoid abrasive cleaners, harsh chemicals, or scouring pads, as these can damage the surface.

- Wipe up spills immediately to prevent staining, especially acidic liquids.
- The quartz is highly durable and scratch-resistant, but it is not entirely scratch-proof. Use cutting boards for sharp objects.

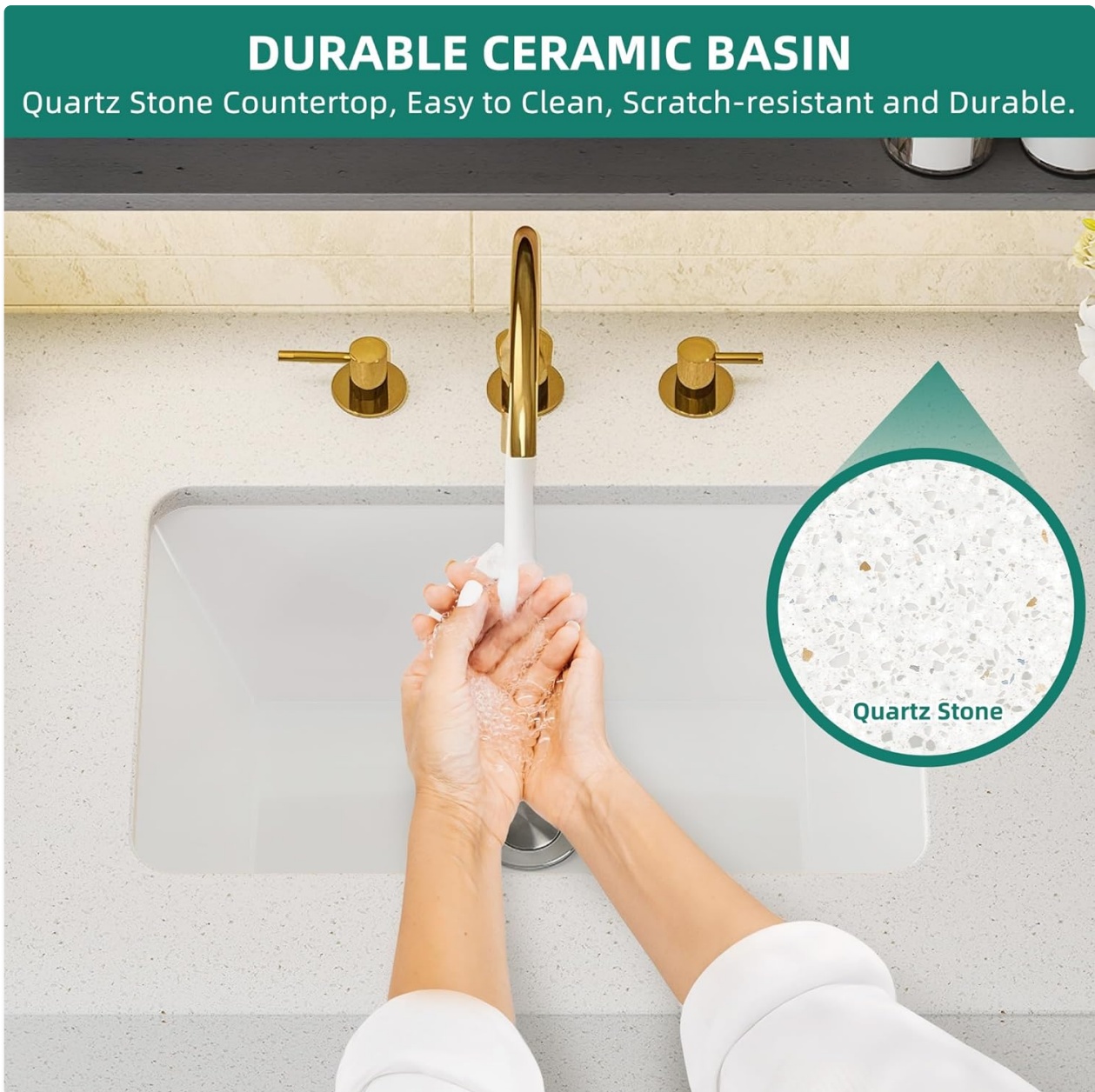


Image: A close-up view of the ceramic basin with water running, emphasizing the durable and easy-to-clean quartz stone countertop.

Oak Veneer Cabinetry Care

- Wipe down the oak veneer surfaces with a soft, damp cloth.
- Avoid excessive moisture. Dry immediately if wet.
- Do not use silicone-based polishes or waxes, as they can build up over time.
- Protect from direct sunlight and extreme temperature changes to prevent fading or warping.

Hardware Care

- Clean metal handles with a soft, dry cloth. Avoid abrasive cleaners.
- Periodically check and tighten any loose screws on hinges or drawer slides.

TROUBLESHOOTING

This section addresses common issues you might encounter with your vanity.

Door Alignment Issues

- If doors do not align properly or stick out, adjust the soft-close hinges. Most hinges have adjustment screws that allow for horizontal, vertical, and depth adjustments. Refer to the hinge manufacturer's instructions or a general guide for hinge adjustment.
- Ensure the cabinet itself is level and securely mounted to the wall, as an uneven base can affect door alignment.

Drawer Operation

- If drawers are stiff or do not slide smoothly, check the drawer slides for any obstructions.
- Ensure the slides are properly aligned and securely fastened. Lubrication with a silicone-based spray can improve smoothness if needed.

Water Leaks

- Immediately shut off the water supply.
- Check all plumbing connections (faucet, drain, supply lines) for tightness.
- Inspect the P-trap and drain assembly for proper sealing.
- If leaks persist, consult a qualified plumber.

General Assembly Difficulties

- If you encounter difficulties during assembly, re-read the instructions carefully.
- Ensure all parts are oriented correctly before tightening screws. Do not over-tighten screws.
- If a part seems ill-fitting, double-check the part number against the diagram.

SPECIFICATIONS

| Feature | Detail |
|--------------------|--|
| Brand | YITAHOME |
| Model Number | MAYIHRqRd1 |
| Product Dimensions | 19.62"D x 48"W x 21"H |
| Color | Black |
| Mounting Type | Wall Mount |
| Top Material Type | Quartz Stone |
| Frame Material | Engineered Wood with Oak Veneer |
| Special Features | 2 Doors and 2 Drawers, Soft-close Double Door, Quartz Stone Countertop, Oak Veneer |
| Item Weight | 138.9 Pounds |
| Assembly Required | Yes |

| | |
|-----|----------------------------|
| UPC | 199449438380, 199449024071 |
|-----|----------------------------|

WARRANTY AND SUPPORT

YITAHOME is committed to customer satisfaction. While specific warranty details are not provided in this document, please retain your proof of purchase for any warranty claims. For any questions, missing parts, or assistance with assembly and installation, please contact YITAHOME customer support. Our support team is available to ensure your complete satisfaction.

Contact information for support can typically be found on the YITAHOME official website or through your purchase platform.

© 2025 YITAHOME. All rights reserved.