

Tangkula AM11181HM

Tangkula 6 Person Acacia Wood Hexagonal Picnic Table

MODEL: AM11181HM

Introduction

This instruction manual provides important information for the safe assembly, operation, and maintenance of your Tangkula 6 Person Acacia Wood Hexagonal Picnic Table. Please read this manual thoroughly before assembly and retain it for future reference.

The picnic table features a hexagonal design with three built-in benches, accommodating up to 6 people. It is constructed with a durable acacia wood top and a robust metal frame, designed for outdoor use in various settings such as gardens, patios, decks, and poolside areas. An integrated umbrella hole provides flexibility for shade.

Safety Information

- Assembly is required. Ensure all parts are correctly installed before use.
- An umbrella base is needed (not included) if using an umbrella with the table.
- Always ensure the table and benches are properly assembled and weighted down to prevent tipping, especially in windy conditions.
- Do not exceed the load capacity of **220 lbs (100 kg)** on the tabletop.
- Do not exceed the load capacity of **500 lbs (227 kg)** on each bench.
- Keep children away from the assembly area.
- Use on a flat, stable surface. Adjustable foot pads are provided to accommodate uneven surfaces.

Parts List

Before beginning assembly, ensure all components listed in the included user guide are present and undamaged. If any parts are missing or damaged, do not proceed with assembly. Contact customer support for assistance.

Tools recommended for assembly: Hammer, Screwdriver, Wrench (refer to your specific user guide for exact tool requirements).

Assembly Instructions

Follow the step-by-step instructions provided in your user guide. General assembly involves attaching the acacia wood tabletop and benches to the metal frame using the provided hardware.



Figure 1: Assembled Tangkula Hexagonal Picnic Table in an outdoor setting.

Step 1: Assemble the Metal Frame

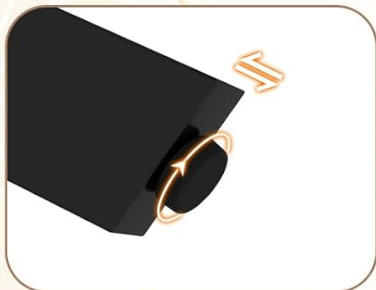
Begin by connecting the main metal frame components. Ensure all bolts are securely tightened but do not overtighten until all parts are aligned.

Robust Metal Structure

High strength and optimal longevity



Reinforcing Crossbars
Provide exceptional stability



Adjustable Foot Pads
Accommodate uneven surfaces



Figure 2: Detail of the robust metal frame with reinforcing crossbars and adjustable foot pads for stability.

Step 2: Attach the Acacia Wood Tabletop

Carefully place the hexagonal acacia wood tabletop onto the assembled metal frame. Align the pre-drilled holes and secure the tabletop using the appropriate screws and washers. The tabletop features a central umbrella hole.

Slatted Acacia Wood Top



Natural Material



Perfect Sturdiness



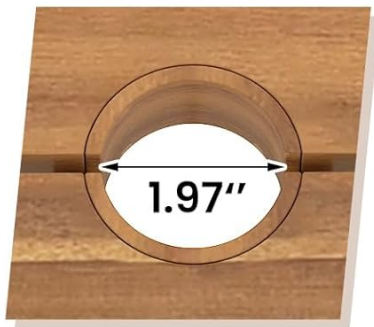
Optimal Longevity



Painted Design



Figure 3: Slatted acacia wood tabletop detail, showcasing the natural grain and painted design.



Coverable Umbrella Hole

Insert a parasol (not included) for instant shade
Or
Cover it up to reveal a perfectly flat tabletop

Figure 4: The 1.97-inch diameter umbrella hole can be covered when not in use to create a flat surface.

Step 3: Install the Benches

Attach the three built-in acacia wood benches to the metal frame. Ensure each bench is securely fastened. Once all components are attached, double-check all connections and tighten any loose hardware.



Hexagonal Table with 3 Built-In Benches

Seat up to 6



Figure 5: The hexagonal table with three built-in benches comfortably seats up to 6 people.

Dimensions Overview: For detailed measurements, refer to the diagram below.

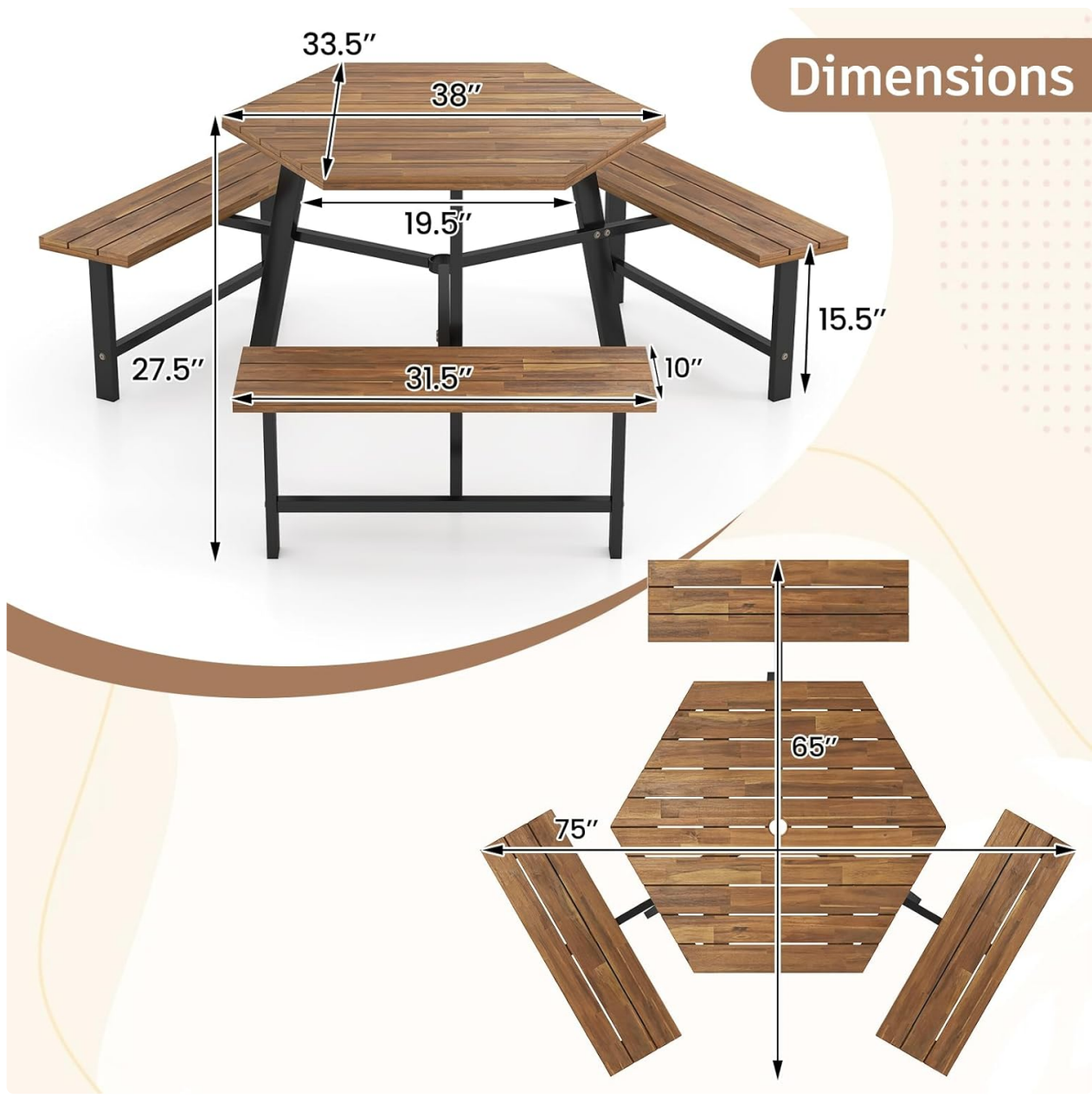


Figure 6: Overall dimensions of the picnic table: 75"L x 65"W x 27.5"H.

Operating Instructions

The Tangkula picnic table is designed for outdoor dining and relaxation. Ensure the table is placed on a stable, level surface. If using an umbrella, insert it into the central hole and secure it with an appropriate umbrella base (not included) to prevent it from falling over.

Video Demonstration:

Your browser does not support the video tag.

Video 1: A user review showcasing the assembled picnic table in an outdoor setting, highlighting its features and appearance.

Your browser does not support the video tag.

Video 2: A brief user review demonstrating the picnic table's presence in a backyard environment.

Maintenance

- **Cleaning:** The painted acacia wood surfaces are designed for easy maintenance. Wipe down the table and benches with a damp cloth and mild soap. Avoid harsh chemicals that may damage the finish.

- **Wood Care:** Acacia wood is durable, but regular maintenance can extend its lifespan. Periodically inspect the wood for any signs of wear or fading. Applying a wood sealant or oil designed for outdoor furniture can help protect it from weather elements and maintain its appearance.
- **Frame Care:** Inspect the metal frame for any signs of rust or damage. Clean with a damp cloth. If rust appears, treat it promptly to prevent further deterioration.
- **Hardware:** Periodically check all bolts and screws to ensure they remain tight. Retighten as necessary to maintain stability.
- **Storage:** During prolonged periods of non-use or harsh weather conditions, consider covering the table or storing it in a sheltered area to protect it from the elements.

Troubleshooting

- **Table Wobbles:** Ensure all bolts are securely tightened. Check if the table is on an uneven surface; adjust the foot pads as needed.
- **Wood Discoloration/Fading:** This is normal for outdoor wood furniture exposed to sunlight. Regular application of wood sealant or oil can help restore and protect the color.
- **Difficulty Assembling:** Review the assembly instructions carefully. Ensure all parts are oriented correctly. Do not force components together. If issues persist, contact customer support.

Specifications

Feature	Detail
Brand	Tangkula
Model Number	AM11181HM
Overall Dimensions	75"L x 65"W x 27.5"H
Tabletop Size	38"L x 33.5"W (Hexagonal)
Bench Surface Size	31.5"L x 10"W
Bench Height	15.5"
Umbrella Hole Diameter	1.97"
Tabletop Load Capacity	220 lbs (100 kg)
Each Bench Load Capacity	500 lbs (227 kg)
Net Weight	56 lbs (25.4 kg)
Material	Acacia Wood, Metal
Color	Brown & Black
Seating Capacity	6 Persons

Warranty and Support

For warranty information and customer support, please refer to the documentation included with your purchase

or contact Tangkula customer service directly. Keep your purchase receipt for warranty claims.

© 2026 Tangkula. All rights reserved.