



Manuals.plus /

- › PXN /
- › PXN Z9 Steering Wheel Desk Mount Instruction Manual

## PXN Z9

# PXN Z9 Steering Wheel Desk Mount Instruction Manual

Model: Z9

## 1. INTRODUCTION

The PXN Z9 Steering Wheel Desk Mount provides a stable and adjustable platform for your sim racing wheel. Constructed from durable 5-series aluminum alloy, it offers multiple mounting options and compatibility with various wheel bases, ensuring a secure and comfortable racing experience. This manual provides detailed instructions for assembly, installation, operation, and maintenance of your PXN Z9 mount.



Figure 1: PXN Z9 Steering Wheel Desk Mount with clamps.

## 2. PRODUCT OVERVIEW

### 2.1 Key Features

- **Durable Construction:** Crafted from high-strength 5-series aluminum alloy for long-lasting durability and reliable support.
- **Adjustable Tilt Panel:** Features a 4-level tilt panel, allowing adjustments up to 15° for optimal driving posture.
- **Dual Clamp Design:** Tool-free dual clamp system securely mounts to desktops up to 70mm (2.75 inches) thick.
- **EVA Protection Pads:** Integrated EVA pads protect desk surfaces from scratches and pressure marks.
- **Multi-Hole Mounting Base:** Designed with multiple mounting holes for compatibility with PXN VD Series wheelbases and other standard patterns.
- **Versatile Mounting Options:** Supports desk clamp, flat base mount, and side-mount with aluminum profile brackets (sold separately).

## 2.2 Components and Dimensions

# STABLE & SECURE

5-SERIES ALUMINUM CONSTRUCTION ENHANCES RIGIDITY.  
DUAL SUPPORT BRACKETS ENSURE A FIRM, WOBBLE-FREE  
MOUNTING EXPERIENCE.

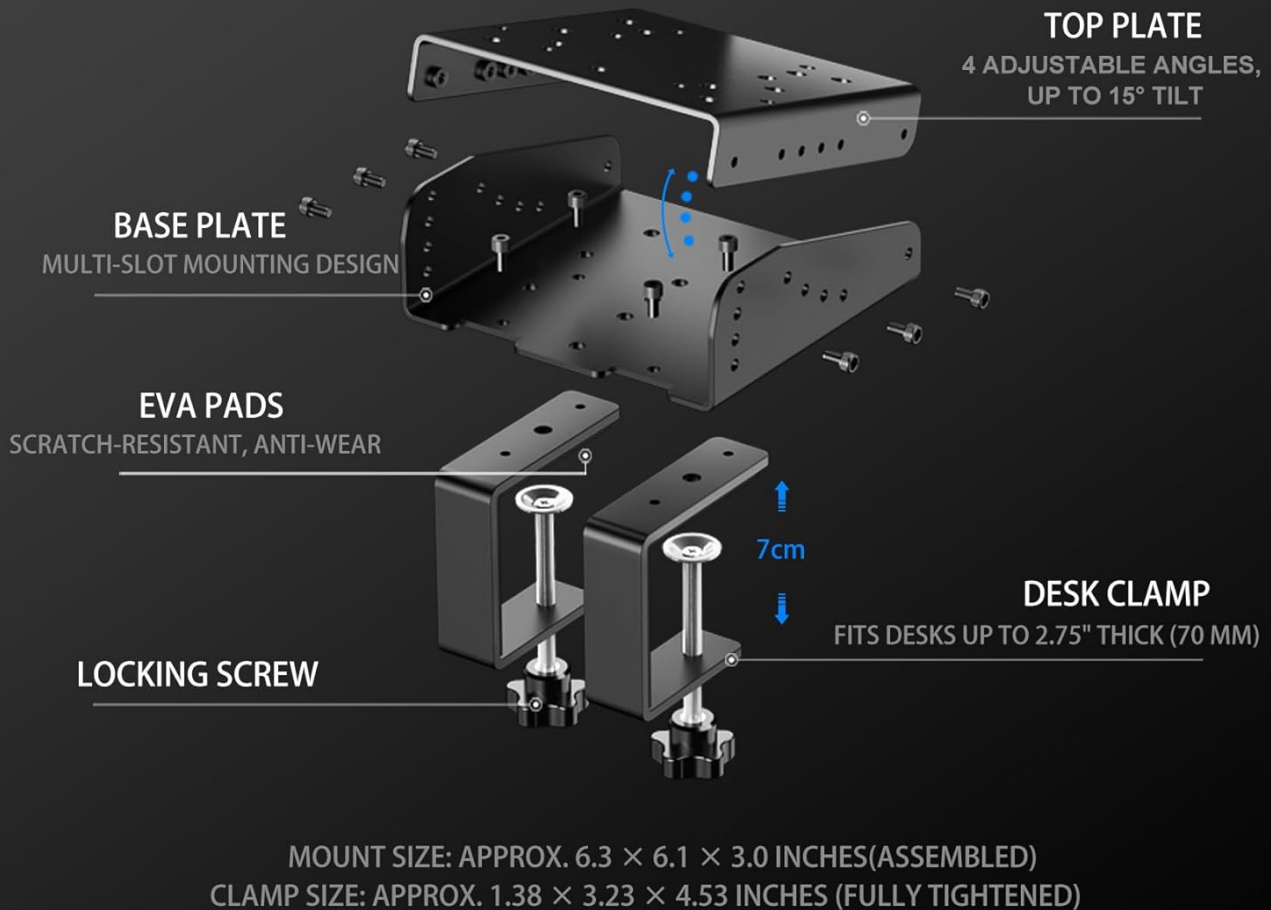


Figure 2: Exploded view of the PXN Z9 mount components and key dimensions. Includes top plate, base plate, EVA pads, desk clamp, and locking screws. Mount size: approx. 6.3 × 6.1 × 3.0 inches (assembled). Clamp size: approx. 1.38 × 3.23 × 4.53 inches (fully tightened). Fits desks up to 2.75 inches (70 mm) thick.

## 3. SETUP INSTRUCTIONS

Follow these steps to properly set up your PXN Z9 Steering Wheel Desk Mount.

### 3.1 Desk Clamp Installation

1. Ensure your desktop surface is clean and free of obstructions. The desk must be between 0 and 70mm (2.75 inches) thick.
2. Position the PXN Z9 mount on the edge of your desk where you intend to install your steering wheel.
3. Slide the two desk clamps onto the underside of the mount, aligning them with the designated slots.
4. Tighten the locking screws on the clamps by hand until the mount is securely fastened to the desk. Ensure the EVA pads are positioned between the clamps and your desk surface to prevent damage. Do not overtighten.

# PXN-Z9 GAMING WHEEL DESK MOUNT

**DESK BRACKET FOR GAMING WHEEL**



Figure 3: PXN Z9 Steering Wheel Desk Mount securely installed on a desktop using the dual clamps.

## 3.2 Wheel Stand Mount Installation

The PXN Z9 mount can be bolted directly onto most sim racing stands that feature a flat mounting surface.

1. Remove the desk clamps if they are attached.
2. Align the pre-drilled bottom holes of the PXN Z9 base plate with the mounting holes on your sim racing stand.
3. Secure the mount to the stand using appropriate bolts and nuts (not included, typically supplied with the racing stand or wheel base).

## 3.3 Aluminum Profile Side Mount Installation

For custom setups, the PXN Z9 supports side-mounted installation using aluminum profiles and corner brackets. These brackets are sold separately.

1. Obtain compatible aluminum profile brackets.
2. Attach the brackets to the side of the PXN Z9 mount using appropriate hardware.
3. Mount the assembly to your aluminum profile rig according to the bracket manufacturer's instructions.

# MULTIPLE MOUNTING OPTIONS

DESIGNED TO FIT DIFFERENT SETUPS AND ENVIRONMENTS.

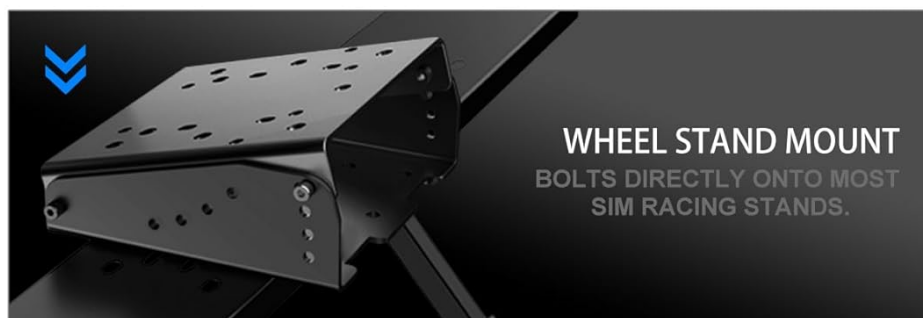
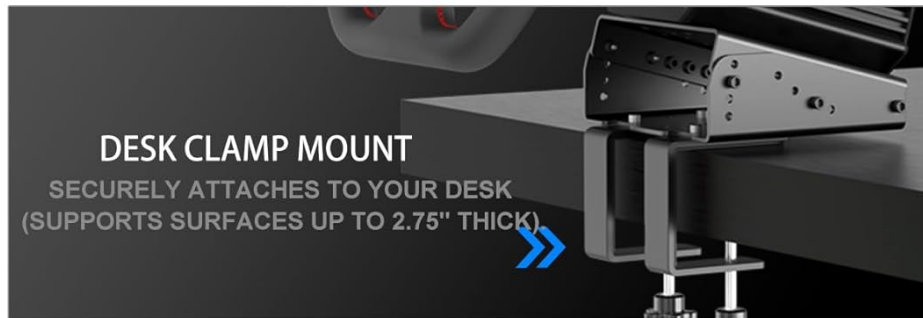


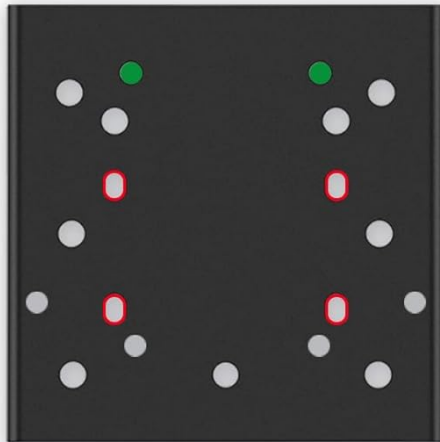
Figure 4: Multiple mounting options for the PXN Z9, including desk clamp, wheel stand, and aluminum profile side mount.

## 3.4 Wheel Base Compatibility

The PXN Z9 features a multi-slot design to accommodate a wide range of steering wheel bases. Refer to the diagram below for specific hole patterns and compatible models.

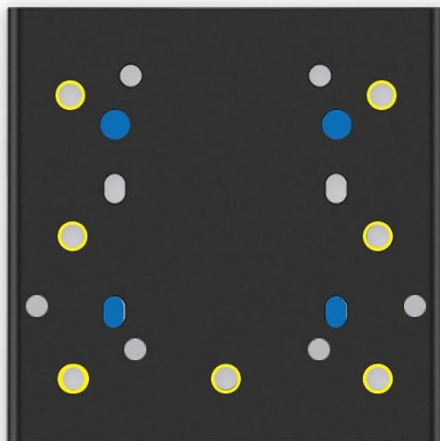
# MULTI-SLOT DESIGN FOR WIDER COMPATIBILITY

*SUPPORTS VARIOUS MOUNTING PATTERNS AND ADAPTS TO MULTIPLE WHEEL BASES —SO YOUR STAND STAYS USABLE EVEN WHEN YOU UPGRADE YOUR GEAR.*



## HOLE PATTERN LAYOUT COMPATIBLE MODELS SHOWN IN DIAGRAM

- FOR PXN-VD4 VD6 VD10 V12  
FOR MOZA R3 R5
- FOR LOGITECH G27/G29/G920/G923



- FOR SIMAGIC  $\alpha$   
FOR MOZA R21/R16/R9  
FOR FANATEC CSL/DD1/DD2
- FOR SIMAGIC M10

Figure 5: Hole pattern layout for PXN Z9, indicating compatibility with various wheel bases such as PXN VD4/VD6/VD10/V12, Moza R3/R5/R21/R16/R9, Logitech G27/G29/G920/G923, Simagic Alpha/M10, and Fanatec CSL/DD1/DD2.

To install your steering wheel base:

1. Align the mounting holes on your steering wheel base with the corresponding holes on the PXN Z9 top plate.
2. Secure the wheel base using the screws provided with your steering wheel. Ensure all screws are tightened firmly but do not overtighten.

## 4. OPERATING INSTRUCTIONS

The PXN Z9 mount allows for adjustment of the steering wheel's tilt angle to enhance comfort and ergonomics during gameplay.

### 4.1 Adjusting Tilt Angle

1. Locate the tilt adjustment mechanism on the side of the mount (refer to Figure 2).
2. Loosen the securing bolts or levers that hold the top plate in place.

3. Adjust the top plate to one of the four available tilt positions, up to a maximum of 15°.
4. Once the desired angle is achieved, firmly tighten the securing bolts or levers to lock the top plate in position.

## 5. MAINTENANCE

---

Regular maintenance ensures the longevity and optimal performance of your PXN Z9 Steering Wheel Desk Mount.

- **Cleaning:** Wipe the mount with a soft, dry cloth to remove dust and debris. Avoid using abrasive cleaners or solvents, as these may damage the finish.
- **Inspection:** Periodically check all screws and clamps to ensure they remain tight. Re-tighten any loose fasteners to maintain stability.
- **EVA Pads:** Inspect the EVA pads for wear or damage. Replace if necessary to continue protecting your desk surface.

## 6. TROUBLESHOOTING

---

If you encounter issues with your PXN Z9 mount, refer to the following common solutions.

### 6.1 Mount Feels Unstable or Flexes

- **Check Clamp Tightness:** Ensure both desk clamps are fully tightened. The locking screws should be firm.
- **Desk Thickness:** Verify that your desk thickness is within the supported range (up to 70mm or 2.75 inches). If the desk is too thin or too thick, the clamps may not provide adequate grip.
- **Surface Stability:** Ensure the desk itself is stable and not prone to wobbling.
- **Wheel Base Fasteners:** Confirm that your steering wheel base is securely attached to the mount's top plate with all necessary screws.

### 6.2 Steering Wheel Base Does Not Fit

- **Verify Compatibility:** Refer to Figure 5 (Hole Pattern Layout) to confirm that your specific steering wheel base model is compatible with the PXN Z9 mount's pre-drilled holes.
- **Alignment:** Ensure the wheel base is correctly aligned with the mounting holes before attempting to fasten.

## 7. SPECIFICATIONS

---

Feature	Detail
Model Name	Z9
Brand	PXN
Material	5-Series Aluminum Alloy
Color	Black
Item Weight	0.9 Kilograms
Mount Dimensions (Assembled)	Approx. 6.3 × 6.1 × 3.0 inches
Desk Clamp Capacity	Up to 70mm (2.75 inches) thick
Adjustable Tilt Angle	Up to 15° (4 levels)
Compatibility	PXN VD Series, Moza, Logitech, Simagic, Fanatec (via multi-hole pattern)

## 8. WARRANTY AND SUPPORT

---

For warranty information or technical support, please visit the official PXN website or contact PXN customer service directly. Keep your purchase receipt for any warranty claims.

Official PXN Store: PXN Gaming Store

