



Manuals.plus /

› VOWNER /

› VOWNER 3-in-1 Vanity Desk User Manual

VOWNER VOWNER-659

VOWNER 3-in-1 Vanity Desk

USER MANUAL

1. Introduction

This manual provides essential information for the assembly, operation, maintenance, and troubleshooting of your VOWNER 3-in-1 Vanity Desk. This versatile furniture piece is designed to function as a vanity, a compact computer desk, and a nightstand, making it ideal for optimizing space in bedrooms or other living areas.



Figure 1: The VOWNER 3-in-1 Vanity Desk, showcasing its compact design and integrated stool, positioned in a bedroom environment.

Your browser does not support the video tag.

Video 1: An overview of the VOWNER 3-in-1 Glass Top Vanity Desk with Flip Top Mirror, demonstrating its key features and functionality.

2. Setup and Assembly

The VOWNER 3-in-1 Vanity Desk requires assembly. Please follow the easy-to-follow assembly instructions provided in the packaging to ensure correct and quicker setup. All necessary hardware and tools are typically included.

Safety Precautions:

- Always follow assembly instructions carefully.
- Be cautious of sharp edges and small parts during assembly, especially around children.
- Use the flip-top mirror and stool with care to prevent tipping.
- Do not overload the product beyond its weight capacity.

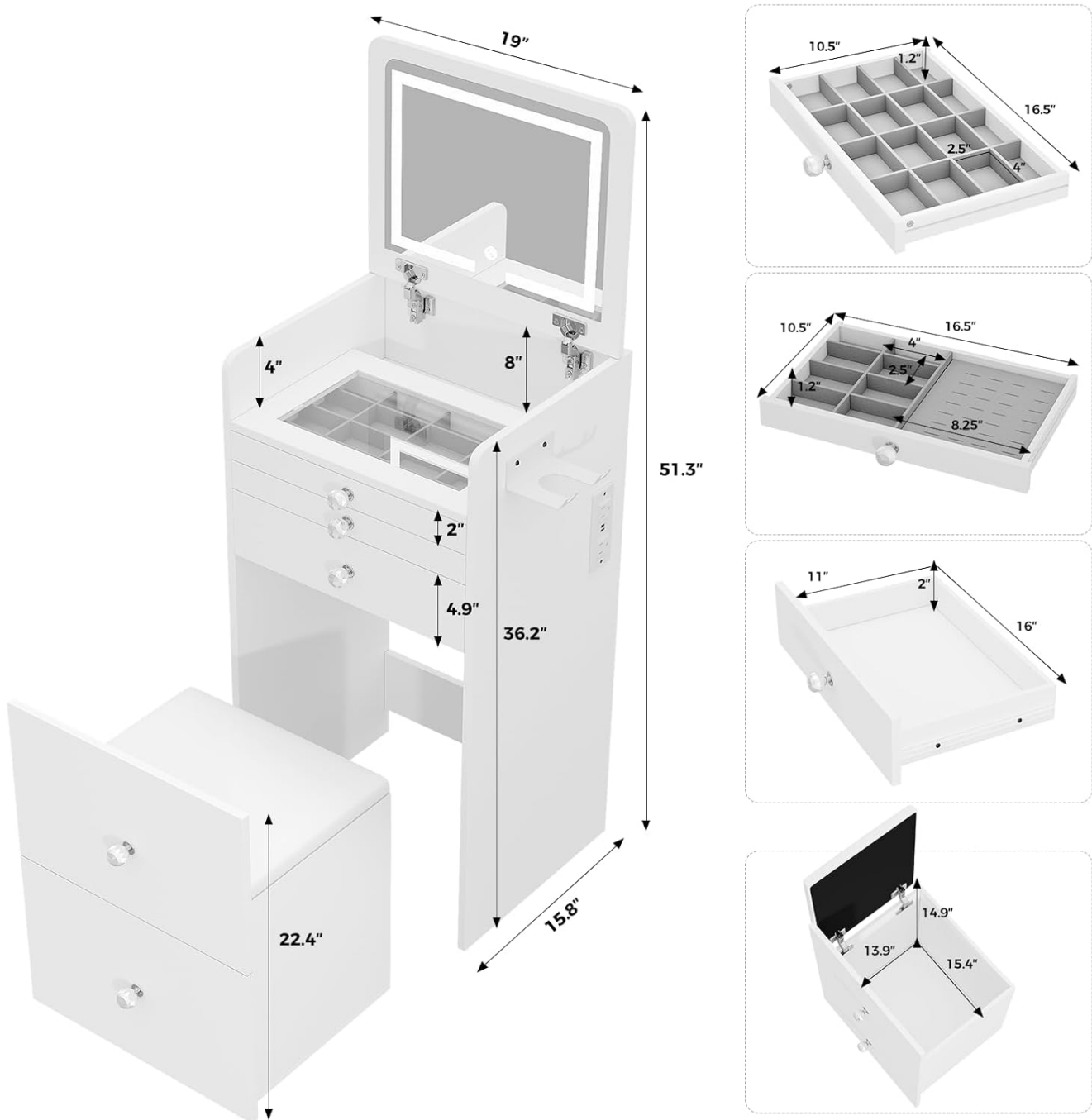


Figure 2: Detailed dimensions and component breakdown of the vanity desk and its accompanying stool, essential for proper assembly.

3. Operating Instructions

3.1 Flip-Top LED Light Mirror

The vanity features a flip-top mirror with integrated LED lighting. To activate the light, gently touch the power icon on the mirror surface. You can cycle through three color light options (Warm White, Cool White, Natural White) and

adjust the brightness by pressing and holding the touch control.



Figure 3: The flip-top mirror design reveals an 8-inch hidden storage compartment, perfect for organizing taller cosmetic bottles and other items.

3 Color Lights Options

Adjustable Brightness



Figure 4: The LED mirror offers three adjustable color light options: Warm White, Natural White, and Cool White, allowing for customized lighting for various needs.

3.2 Storage Features

The vanity desk is equipped with smart storage solutions to keep your items organized:

- **Drawers:** Three organized drawers are available, including two velvet-lined jewelry drawers and one normal drawer for general storage.
- **Visible Glass Desktop:** A clear glass section on the desktop allows for easy visibility and access to stored items underneath.
- **Hidden Stool Storage:** The accompanying stool features a deep storage space underneath its cushioned top, ideal for larger items like hair dryers or extra supplies.



Figure 5: The vanity's drawers are designed for organized storage, with velvet-lined sections for jewelry, and the stool provides additional deep storage capacity.

Multi-functional flip-top vanity

USED AS A VANITY, SMALL COMPUTER
DESK, NIGHTSTAND, ETC.



Figure 6: A close-up view of the visible glass desktop, allowing users to easily see and access items stored in the top compartment.

3.3 Convenient Features

For added convenience, the vanity table includes:

- **Built-in Power Outlet:** An integrated power outlet is available for charging devices or powering small appliances.
- **Dedicated Hair Dryer Holder:** A specific holder is provided to keep your hair dryer neatly stored and easily accessible.



Figure 7: The side of the vanity desk features a convenient hair dryer holder and a built-in power outlet for easy access to electrical connections.

4. Maintenance

To maintain the appearance and longevity of your VOWNER Vanity Desk, wipe surfaces with a dry cloth regularly. Avoid using abrasive cleaners or harsh chemicals that may damage the finish.

5. Troubleshooting

If you encounter any issues with your vanity desk, consider the following general troubleshooting tips:

- **LED Mirror Not Lighting Up:** Ensure the power cord is securely plugged into a functional outlet. Check the touch control area for any obstructions.
- **Drawers Sticking:** Verify that the drawers are properly aligned on their glides. Ensure no items are obstructing the drawer's movement.
- **Stability Issues:** Confirm all assembly screws are tightened. Ensure the desk is placed on a flat, even surface.

For persistent issues or specific concerns, please refer to the 'Warranty and Support' section for contact information.

6. Specifications

| Feature | Detail |
|---------------------------|---|
| Brand | VOWNER |
| Model Number | VOWNER-659 |
| Product Dimensions | 15.8"D x 19"W x 51.3"H (assembled) / 18.9 x 51.18 x 15.75 inches (packaged) |
| Item Weight | 57.2 pounds |
| Frame Material | Engineered Wood |
| Furniture Finish | White |
| Assembly Required | Yes |
| Product Care Instructions | Wipe with Dry Cloth |
| ASIN | B0FC6KGDVT |

7. Warranty and Support

VOWNER is committed to providing excellent service. If you have any questions, require assistance with assembly, or encounter any lost or damaged parts, please contact our customer support team. Refer to your purchase documentation or the VOWNER brand store on Amazon for specific contact details.

For further information and support, you may visit the official VOWNER store: [VOWNER Store](#).