

Manuals+

[Q & A](#) | [Deep Search](#) | [Upload](#)

manuals.plus /

- › [OSRAM](#) /
- › [OSRAM Retractable Ceiling Fan 1070 User Manual](#)

OSRAM 4099854506789

OSRAM Retractable Ceiling Fan 1070 User Manual

Model: 4099854506789

1. INTRODUCTION

Thank you for choosing the OSRAM Retractable Ceiling Fan 1070. This innovative ceiling fan combines efficient air circulation with integrated LED lighting, featuring retractable blades for a sleek, space-saving design. This manual provides essential information for safe installation, operation, and maintenance of your new ceiling fan.



Image: The OSRAM Retractable Ceiling Fan 1070 shown with its retail packaging, highlighting its modern design and compact form.

2. SAFETY INFORMATION

Please read all safety instructions carefully before installation and use. Failure to follow these instructions may result in electric shock, fire, or serious personal injury.

- **Electrical Safety:** Ensure the power supply is disconnected at the main circuit breaker before installation or maintenance. All electrical connections must comply with local codes and regulations.
- **Installation:** This product must be installed by a qualified electrician. The mounting structure must be capable of supporting the fan's weight (approximately 6.5 kg).
- **Blade Clearance:** Ensure there is adequate clearance between the fan blades and any obstacles, including walls and furniture, when the blades are extended.
- **Cleaning:** Always disconnect power before cleaning. Use a soft, damp cloth; do not use abrasive cleaners.
- **Usage:** Do not insert objects into the fan blades while the fan is operating. This product is designed for indoor use only.

3. PACKAGE CONTENTS

Verify that all components are present and undamaged before beginning installation:

- 1x OSRAM Ceiling Fan Retractable 1070 66W White unit
- 1x Remote Control
- Mounting Hardware (screws, anchors, brackets)
- User Manual (this document)

4. SETUP AND INSTALLATION

Installation of the OSRAM Retractable Ceiling Fan 1070 requires electrical wiring and secure mounting. It is highly recommended to have this product installed by a certified professional.

4.1. Pre-Installation Checks

- Ensure the ceiling junction box is securely mounted and rated for fan support.
- Confirm the power supply is turned off at the circuit breaker.
- Unpack all components and inspect for any damage.

4.2. Mounting the Fan

Follow the detailed instructions provided in the comprehensive installation guide available online. The general steps involve:

1. Attach the mounting bracket to the ceiling junction box.
2. Connect the electrical wiring (live, neutral, ground) from the ceiling to the fan's wiring.
3. Secure the fan motor housing to the mounting bracket.
4. Attach the light fixture and any decorative covers.

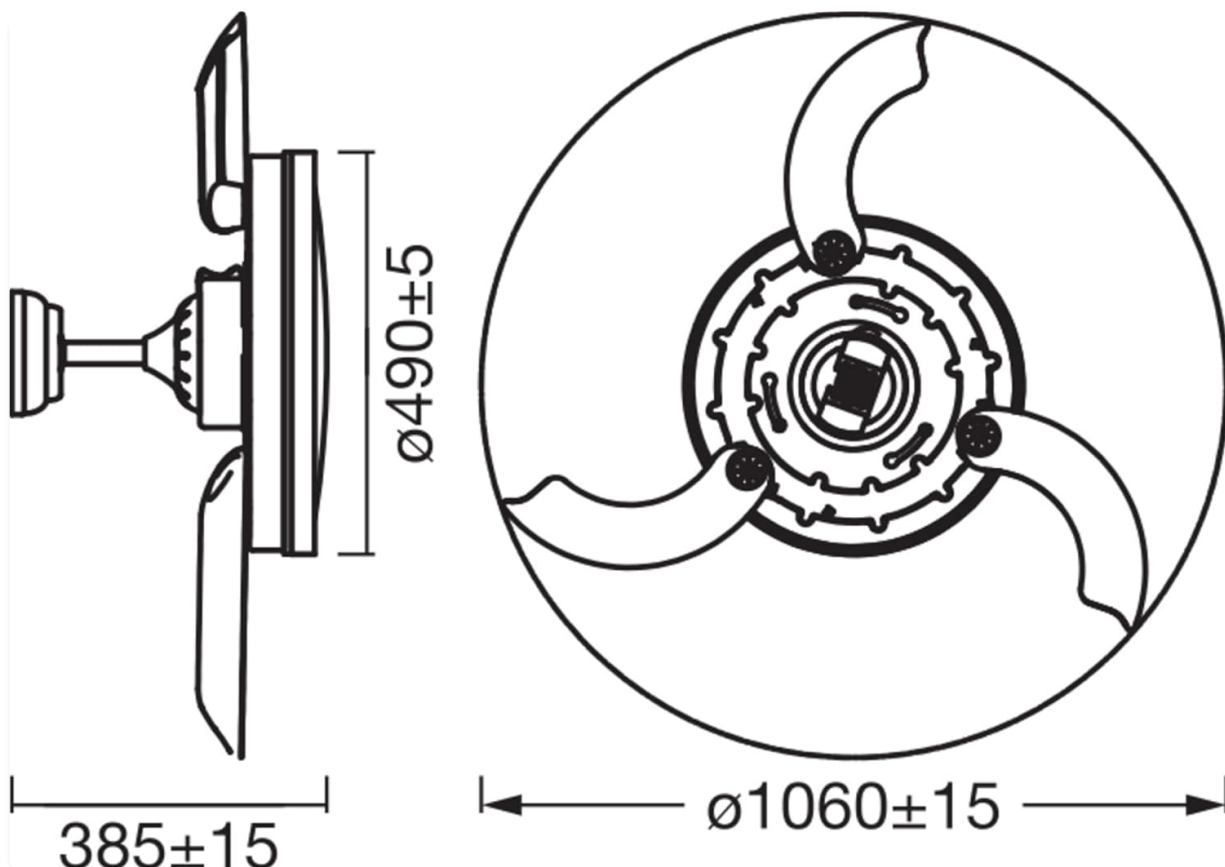


Image: Detailed technical drawing illustrating the dimensions (in mm) of the OSRAM Retractable Ceiling Fan 1070, including its height (385 ± 15), body diameter ($\text{Ø}490\pm 5$), and extended blade diameter ($\text{Ø}1060\pm 15$).

For a complete step-by-step installation guide, please refer to the official documentation: [OSRAM Ceiling Fan 1070 Installation Guide](#)

5. OPERATING INSTRUCTIONS

The OSRAM Retractable Ceiling Fan 1070 is controlled via the included remote control, offering comprehensive control over both fan and light functions.

5.1. Fan Operation

- **Power On/Off:** Press the fan power button on the remote to turn the fan on or off.
- **Speed Control:** The fan features 6 speed settings. Use the speed control buttons (usually '+' and '-') on the remote to adjust the airflow. The blades will automatically extend when the fan is turned on and retract when turned off.
- **Timer Function:** Activate the timer function to set the fan to turn off automatically after a preset duration. Refer to the remote control's specific buttons for timer settings.

5.2. Light Operation

- **Light On/Off:** Press the light power button on the remote to turn the integrated LED light on or off.
- **Color Temperature Adjustment:** The light offers three color temperature settings: 3000K (Warm White), 4000K (Neutral White), and 6500K (Cool White). Use the dedicated button on the remote to cycle through these options.
- **Brightness Adjustment:** The light output is 4200 lumens. Use the dimming buttons on the remote to adjust the brightness level to your preference.



Image: The OSRAM Retractable Ceiling Fan 1070 seamlessly integrated into a modern living room, demonstrating its ability to provide both air circulation and adjustable illumination, here shown with warm light.

6. MAINTENANCE

Regular maintenance ensures the longevity and optimal performance of your ceiling fan.

- **Cleaning:** Before cleaning, ensure the power is disconnected. Use a soft, lint-free cloth to wipe down the fan blades and motor housing. For stubborn dirt, a slightly damp cloth can be used, followed by a dry cloth. Do not use harsh chemicals or abrasive materials.
- **Blade Inspection:** Periodically check the retractable blades for any signs of wear or damage. Ensure they extend and retract smoothly.
- **Tightening Fasteners:** Over time, some fasteners may become loose. Annually, check and tighten all screws and connections to ensure safe operation.

7. TROUBLESHOOTING

If you encounter issues with your OSRAM Retractable Ceiling Fan 1070, refer to the following common problems and solutions:

Problem	Possible Cause	Solution
Fan does not turn on	No power supply; Remote control battery low/dead; Loose wiring connection.	Check circuit breaker; Replace remote control batteries; Verify wiring connections (consult electrician).
Light does not turn on	No power supply; LED module fault; Loose wiring connection.	Check circuit breaker; Contact customer support if LED module is faulty; Verify wiring connections (consult electrician).
Fan makes excessive noise	Loose mounting screws; Unbalanced blades.	Tighten all mounting screws; Ensure blades are clean and free of debris.
Remote control not working	Batteries dead/incorrectly inserted; Remote out of range; Interference.	Replace batteries (AAA); Ensure remote is within range; Remove sources of interference.

If the problem persists after attempting these solutions, please contact OSRAM customer support.

8. SPECIFICATIONS

Feature	Specification
Model Name	Ceiling Fan Retractable 1070 66W White
Model Number	4099854506789
Brand	OSRAM
Power Consumption	66 Watts
Voltage	220 Volts

Feature	Specification
Luminous Flux	4200 Lumens
Color Temperature	3000K / 4000K / 6500K (Adjustable)
Airflow	6460 m³/h
Fan Speeds	6 settings
Product Weight	6500 Grams
Special Feature	Energy Saving, Retractable Blades, Timer Function
Components Included	1x Ceiling Fan Retractable 1070 66W White, Remote Control

9. WARRANTY AND SUPPORT

OSRAM products are designed for quality and durability. For information regarding product warranty, please refer to the terms and conditions provided at the time of purchase or visit the official OSRAM website. For detailed technical support, additional documentation, or to contact customer service, please visit:

- Official OSRAM Store on Amazon: [OSRAM Store](#)
- Product Documentation (Model 4099854506789): ledvance.com/docs/4099854506789