



Manuals.plus /

- › domi outdoor living /
- › Domi 12' x 20' Lean-to Gazebo Instruction Manual

## domi outdoor living 12x20 FT Lean-to Gazebo

# Domi 12' x 20' Lean-to Gazebo Instruction Manual

Model: 12x20 FT Lean-to Gazebo

Brand: domi outdoor living

Assembly    Operation    Safety Information    Package Contents    Setup & Maintenance    Troubleshooting    Specifications    Warranty & Support

## 1. SAFETY INFORMATION

Read all instructions carefully before assembly and use. Failure to follow these instructions may result in injury or damage to the product.

- **Adult Assembly Required:** This product requires assembly by at least two adults.
- **Proper Anchoring:** Ensure proper installation and anchoring to withstand high winds (up to 60 MPH) and heavy snow loads (up to 22 lbs/Sq.Ft). Follow assembly instructions carefully to avoid hazards.
- **Site Selection:** Choose a level surface for installation. Ensure adequate clearance from power lines, trees, and other structures.
- **Regular Inspection:** Periodically check all bolts and connections to ensure they remain tight and secure.
- **Weather Conditions:** While designed for all-weather performance, extreme weather conditions may require additional precautions.

## 2. PACKAGE CONTENTS

The Domi 12' x 20' Lean-to Gazebo is shipped in multiple boxes. Verify all parts are present before beginning assembly. Refer to the parts list in your physical manual for detailed component identification.

**Typical components include:**

- Main Frame Components (Alloy Steel, Metal)

- Galvanized Steel Roof Panels
- Drainage System Components (Gutters, Downspouts)
- Hardware Kit (bolts, screws, washers, rubber seals)
- Tools for Assembly (often included, but check your specific package)

*Note: This 12' x 20' gazebo will ship in 5 boxes.*

### 3. SETUP & ASSEMBLY

Assembly typically requires two or more people. Follow the step-by-step instructions provided in your physical manual. The wall-mounted design allows for seamless integration with your home's exterior.

#### 3.1. Frame Assembly

Begin by assembling the main frame structure. Ensure all connections are secure. The reinforced heavy-duty frame is engineered for lasting support.

## Sturdy Frame with Reinforced Support

Premium Construction for Lasting Support

 5.2" structure



**60MPH**  
Wind Resistant

 3.94" Pillar



**Supports 50%<sup>↑</sup>  
More Weight**  
3.94" vs Standard 2"

Image: Sturdy Frame with Reinforced Support. Features 5.2-inch structure and 3.94-inch pillars, supporting 50% more weight

than standard 2-inch pillars.

# Stable Triangle Structure



Enhanced Durability



Timeless Aesthetics



UV Protection



Image: Stable Triangle Structure. Illustrates the enhanced durability and aesthetic design of the corner supports.

## 3.2. Wall Mounting

The gazebo features a straight-side, wall-mounted design. It can be installed against a wall for stability and space-saving. Anchoring hardware for the ground is provided, but wall-mounting hardware may vary depending on your wall material.



Image: Wall-Mounted Design. Shows how the gazebo integrates with a home's exterior.

### 3.3. Roof Panel Installation

Install the galvanized steel roof panels according to the manual. Ensure all rubberized pieces are correctly placed to maintain watertight integrity. The roof panels are designed to interlock and provide a secure, weather-resistant cover.

# Galvanized Steel Roof



Long Service Life



Weatherproof



Anti-corrosion



Image: Galvanized Steel Roof. Highlights the long service life, weatherproof, and anti-corrosion properties.

## 3.4. Drainage System Setup

Assemble the upgraded gutter design to efficiently channel away rain and snow. Proper installation of the drainage system is crucial for reducing buildup and extending the roof's lifespan.

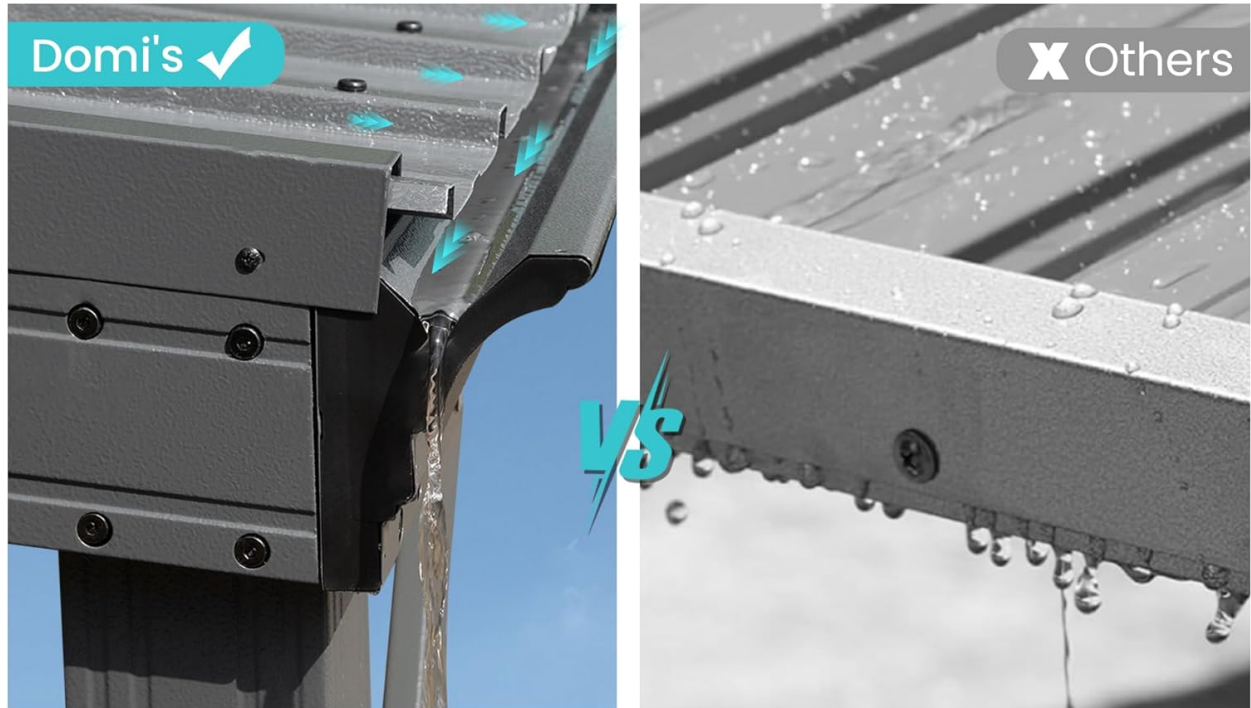


## Drainage system

Improved gutter design effectively prevents rain and snow buildup, extending the roof's lifespan.

Image: Drainage System. Shows the improved gutter design preventing water buildup.

# Drainage system



## Integrated Drainage Channels Prevent Water Accumulation



Smooth Drainage



No standing water



Easy to maintain

## Flat Surfaces - Stagnant Water & Rust Risks



Water pools on surface



Requires manual drying



Promotes rust

Image: Drainage System Comparison. Illustrates how integrated channels prevent water accumulation, unlike flat surfaces.

### 3.5. Anchoring

Secure the gazebo to the ground using appropriate anchoring methods for your surface. Options include expansion screws for concrete, lawn stakes for grass, or cement pouring for permanent installation. *Note: Expansion screws are not included.*

## Domi Louvered Pergola – Built to Last



### Domi's Hardware Stainless Steel Screws

- After 1 Year: Still Strong
- Rust-Resistant & Corrosion-Resistant
- Built for Long-Lasting Durability



### Others

Ordinary Iron Screws

- After 1 Year: Rusted & Weak
- Prone to Corrosion
- Break Easily Over Time

Image: Suitable for Different Surfaces. Depicts anchoring methods for various ground types.

### 3.6. Connecting Multiple Gazebos

Two or more gazebos of the same width can be connected using a linking kit (e.g., ASIN: B0FNJX2R9N for 12ft connector). This allows for customization of size and layout.

## Gazebo Connection Compatibility Guide

Gazebo Size 1	Gazebo Size 2	Final Size	Required Linking Kit
8 × 8 ft	8 × 8 ft	8 × 16 ft	8 ft
8 × 8 ft	8 × 10 ft	8 × 18 ft	8 ft
8 × 10 ft	8 × 10 ft	8 × 20 ft	8 ft
10 × 10 ft	10 × 10 ft	10 × 20 ft	10 ft
10 × 10 ft	10 × 12 ft	10 × 22 ft	10 ft
10 × 10 ft	10 × 14 ft	10 × 24 ft	10 ft
10 × 10 ft	10 × 16 ft	10 × 26 ft	10 ft
10 × 12 ft	10 × 12 ft	10 × 24 ft	10 ft
10 × 12 ft	10 × 14 ft	10 × 26 ft	10 ft
10 × 12 ft	10 × 16 ft	10 × 28 ft	10 ft
10 × 14 ft	10 × 14 ft	10 × 28 ft	10 ft
10 × 14 ft	10 × 16 ft	10 × 30 ft	10 ft
10 × 16 ft	10 × 16 ft	10 × 32 ft	10 ft
10 × 16 ft	10 × 20 ft	10 × 36 ft	10 ft
12 × 16 ft	12 × 16 ft	12 × 32 ft	12 ft
12 × 20 ft	12 × 20 ft	12 × 40 ft	12 ft

#### Key Notes:

1. Gazebos can only connect if share the same width dimension
2. You'll need the linking kit that matches your gazebo's width (8ft/10ft/12ft)
3. Length doesn't affect connection compatibility (e.g., 10×10ft can connect with 10×14ft)

Image: Gazebo Connection Compatibility Guide. Provides details on linking kits for various gazebo sizes.

## 4. OPERATION

The Domi Lean-to Gazebo provides a sheltered outdoor space. Its galvanized steel roof offers 99% UV-proof protection (UPF 50+) and is designed to withstand various weather conditions.

- **Shade and UV Protection:** Enjoy ample shade and protection from harmful UV rays.
- **Rain Protection:** The integrated drainage system ensures efficient water runoff, keeping the area beneath dry during rain.
- **Wind and Snow Resistance:** The robust frame and roof are rated to resist winds up to 60 MPH and

snow loads up to 22 lbs/Sq.Ft.



Image: All-Weather Performance. Demonstrates UV resistance and efficient drainage.

## 5. MAINTENANCE

Regular maintenance will ensure the longevity and optimal performance of your gazebo.

- **Cleaning:** Clean the galvanized steel roof and frame periodically with mild soap and water. Avoid abrasive cleaners that could damage the finish.
- **Drainage System:** Regularly inspect and clear the gutters and drainage channels of leaves, debris, and snow to ensure efficient water flow.
- **Fasteners:** Check all bolts, screws, and connections seasonally, or after severe weather, and tighten as necessary.
- **Rust Prevention:** The galvanized steel is rustproof, but inspect for any scratches or damage to the coating and touch up if needed to prevent rust.

## 6. TROUBLESHOOTING

If you encounter issues during assembly or use, refer to the following common solutions:

- **Parts Not Aligning During Assembly:** Ensure the frame is square and level. Slight adjustments may be needed to align holes. Do not force parts; re-check the assembly steps.
- **Water Accumulation on Roof:** Verify that the drainage system is clear of debris and correctly installed. Ensure the roof panels are properly sealed.
- **Gazebo Feels Unstable:** Confirm that all anchoring points are securely fastened to the ground or wall. Re-tighten all frame bolts.
- **Missing or Damaged Parts:** Contact customer support immediately with your product model and part numbers.

## 7. SPECIFICATIONS

Feature	Detail
Brand	domi outdoor living
Model	12' x 20' Lean-to Gazebo (Gray)
Material	Alloy Steel, Metal (Galvanized Steel Roof)
Product Dimensions (L x W x H)	240"L x 144"W x 97.8"H
Item Weight	413 Pounds
Wind Resistance	Up to 60 MPH
Snow Load Capacity	Up to 22 lbs/Sq.Ft
UV Protection	99% UV-proof, UPF 50+
Assembly Required	Yes
Occupancy	15–20 people

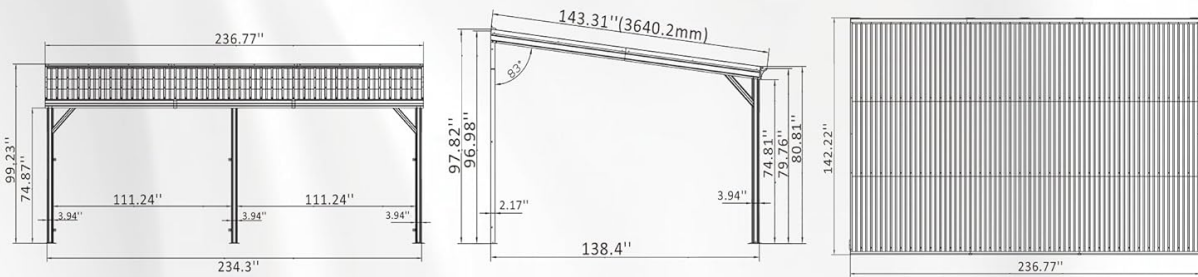
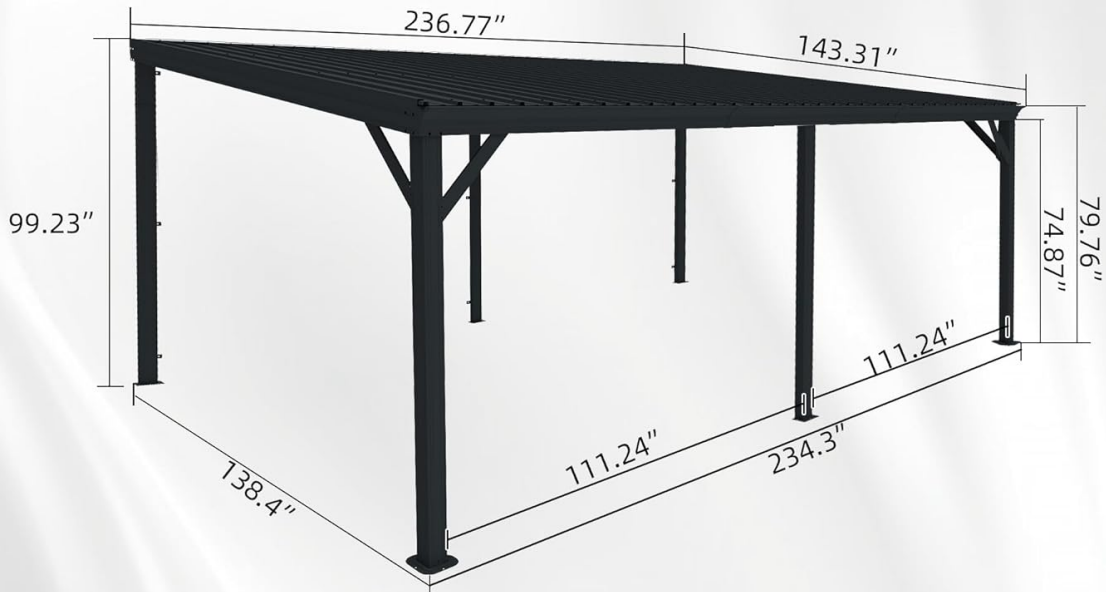


Image: Dimensions. Provides a visual representation of the gazebo's measurements.

## 8. WARRANTY & SUPPORT

For specific warranty information and customer support, please refer to the documentation included with your product or contact Domi Outdoor Living directly. Keep your purchase receipt for warranty claims.

**Contact Information:** Refer to the manufacturer's website or the contact details provided in your product packaging for support.