

[Manuals.plus](#) /

> [Timechee](#) /

> Vanity Mirror with Lights, 43" Make up Vanity Desk with Storage Drawers, Glass Tabletop, 11 Drawers, Vanity Mirror Desk, Modern Dresser with Mirror for Bedroom, Dressing Room, White

Timechee YG-KF210308-01

Timechee Vanity Mirror Desk User Manual

Model: YG-KF210308-01

1. INTRODUCTION

This user manual provides detailed instructions for the assembly, operation, and maintenance of your Timechee Vanity Mirror Desk. Designed with a sleek, modern aesthetic, this vanity features a white cabinet, transparent crystal handles, and an integrated LED mirror. Its ample storage space and functional design make it a practical addition to any bedroom or dressing room.



Figure 1.1: Timechee Vanity Mirror Desk (11 Drawers) with integrated LED mirror and crystal handles.

2. SAFETY INFORMATION

Please read all instructions carefully before assembly and use. Keep this manual for future reference.

- Ensure all parts are present and undamaged before beginning assembly.
- Assemble the vanity on a soft, clean surface to prevent scratches.
- Do not overtighten screws during assembly to avoid damaging the material.
- Keep small parts away from children to prevent choking hazards.
- Do not place hot items directly on the glass tabletop.
- Ensure the vanity is placed on a stable, level surface to prevent tipping.
- For electrical components (LED mirror), ensure proper power connection and avoid contact with water.

3. PACKAGE CONTENTS

Verify that all components listed below are included in your package:

Component	Quantity
Vanity Table Frame (P2 grade MDF)	1 Set
LED Mirror	1
Drawers (11 total)	11
Crystal Handles	11
Glass Tabletop Panels	2
Assembly Hardware (screws, cam locks, etc.)	1 Set
Instruction Manual	1

4. SETUP & ASSEMBLY

Assembly is required. Each part is clearly labeled with its corresponding number. Follow the step-by-step instructions provided in the included manual for a smooth assembly process. Ensure you have adequate space and the necessary tools (e.g., screwdriver) before starting.

- 1. Unpack and Identify Parts:** Carefully unpack all components and lay them out on a clean, soft surface. Refer to the parts list to ensure all pieces are present.
- 2. Assemble the Main Frame:** Follow the numerical sequence in the provided assembly manual to connect the main vanity frame components.
- 3. Install Drawers:** Assemble each of the 11 drawers according to the instructions. Ensure the slides are correctly aligned for smooth operation.
- 4. Attach Crystal Handles:** Securely fasten the crystal handles to each drawer.
- 5. Place Glass Tabletop:** Carefully position the glass tabletop panels into their designated slots on the vanity surface.
- 6. Mount LED Mirror:** Attach the LED mirror to the back of the vanity desk. Ensure it is securely fastened.
- 7. Connect Power:** Plug in the power cord for the LED mirror.

Large Storage Space

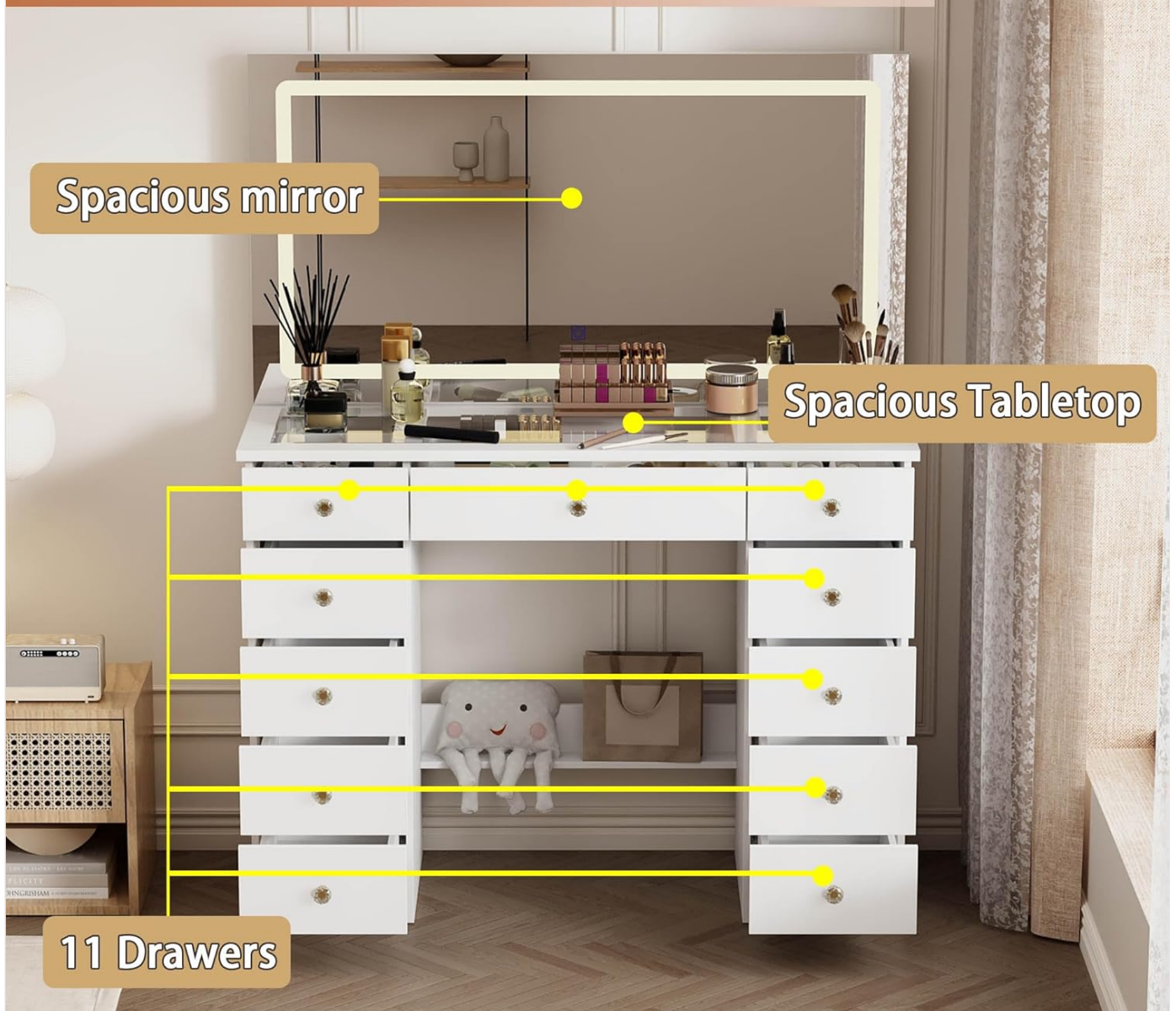


Figure 4.1: Illustration of the vanity's ample storage space, including 11 drawers and a spacious tabletop.



Figure 4.2: Internal view of the vanity's drawer construction and overall robust structure.

5. OPERATING INSTRUCTIONS

5.1 LED Mirror Operation

The integrated LED mirror offers adjustable lighting to suit your needs.

- **Power On/Off:** Touch the power symbol on the mirror surface to turn the lights on or off.
- **Change Color Temperature:** Briefly touch the power symbol to cycle through the three available color options:
 - **Cool Light:** Bright, white light suitable for detailed makeup application.
 - **Natural Light:** Balanced light mimicking natural daylight, ideal for everyday use.
 - **Warm Light:** Soft, yellowish light for evening makeup or a relaxed ambiance.
- **Adjust Brightness:** Press and hold the power symbol to continuously adjust the brightness level. Release when the desired brightness is achieved. The mirror features a memory function that remembers your last brightness setting.



Figure 5.1: Visual representation of the three color lighting options available on the LED mirror.



Figure 5.2: Demonstrates how to adjust brightness by long-pressing the touch sensor, highlighting the memory function.

5.2 Storage Utilization

The vanity desk is equipped with 11 drawers and an open shelf for organized storage.

- **Drawers:** Utilize the various sized drawers for cosmetics, jewelry, hair accessories, and other personal items. The smooth slides ensure easy opening and closing.
- **Glass Tabletop:** The transparent glass top allows for visible storage of frequently used items or decorative displays.
- **Open Shelf:** The open shelf underneath the main tabletop provides additional space for larger items like bags or storage boxes.

6. MAINTENANCE

Proper care will ensure the longevity and appearance of your vanity desk.

- **Cleaning the Surface:** Wipe the P2 grade MDF surfaces with a soft, damp cloth. Avoid abrasive cleaners or harsh

chemicals that may damage the finish.

- **Cleaning the Mirror:** Use a glass cleaner and a lint-free cloth for the mirror surface. Spray cleaner onto the cloth, not directly onto the mirror, to prevent liquid from seeping into the electrical components.
- **Drawer Slides:** Periodically check drawer slides for smooth operation. If they become stiff, a small amount of silicone lubricant can be applied.
- **Hardware:** Occasionally check and tighten any loose screws or hardware to maintain stability.
- **Avoid Direct Sunlight:** Prolonged exposure to direct sunlight may cause fading or damage to the finish.

7. TROUBLESHOOTING

Common issues and their solutions:

Problem	Possible Cause	Solution
LED Mirror not lighting up	Power cord not connected; Power outlet issue; Mirror defect.	Ensure power cord is securely plugged in. Test the outlet with another device. If still not working, contact customer support.
Drawers are stiff or not sliding smoothly	Misaligned slides; Debris in slides; Overtightened screws.	Check alignment of drawer slides. Clean any debris. Loosen screws slightly if overtightened. Apply silicone lubricant if needed.
Vanity feels wobbly	Loose assembly hardware; Uneven floor.	Tighten all assembly screws. Ensure the vanity is on a level surface; use furniture pads if necessary.

8. SPECIFICATIONS

- **Brand:** Timechee
- **Model Number:** YG-KF210308-01
- **Dimensions (Overall):** 15"D x 43.3"W x 55"H (38.1 cm D x 110 cm W x 139.7 cm H)
- **Material:** P2 Grade Engineered Wood (MDF)
- **Color:** White
- **Drawers:** 11 (with crystal handles)
- **Mirror:** Integrated LED Mirror with 3 Color Options (Cool, Natural, Warm) and Dimmable Brightness
- **Tabletop:** Glass

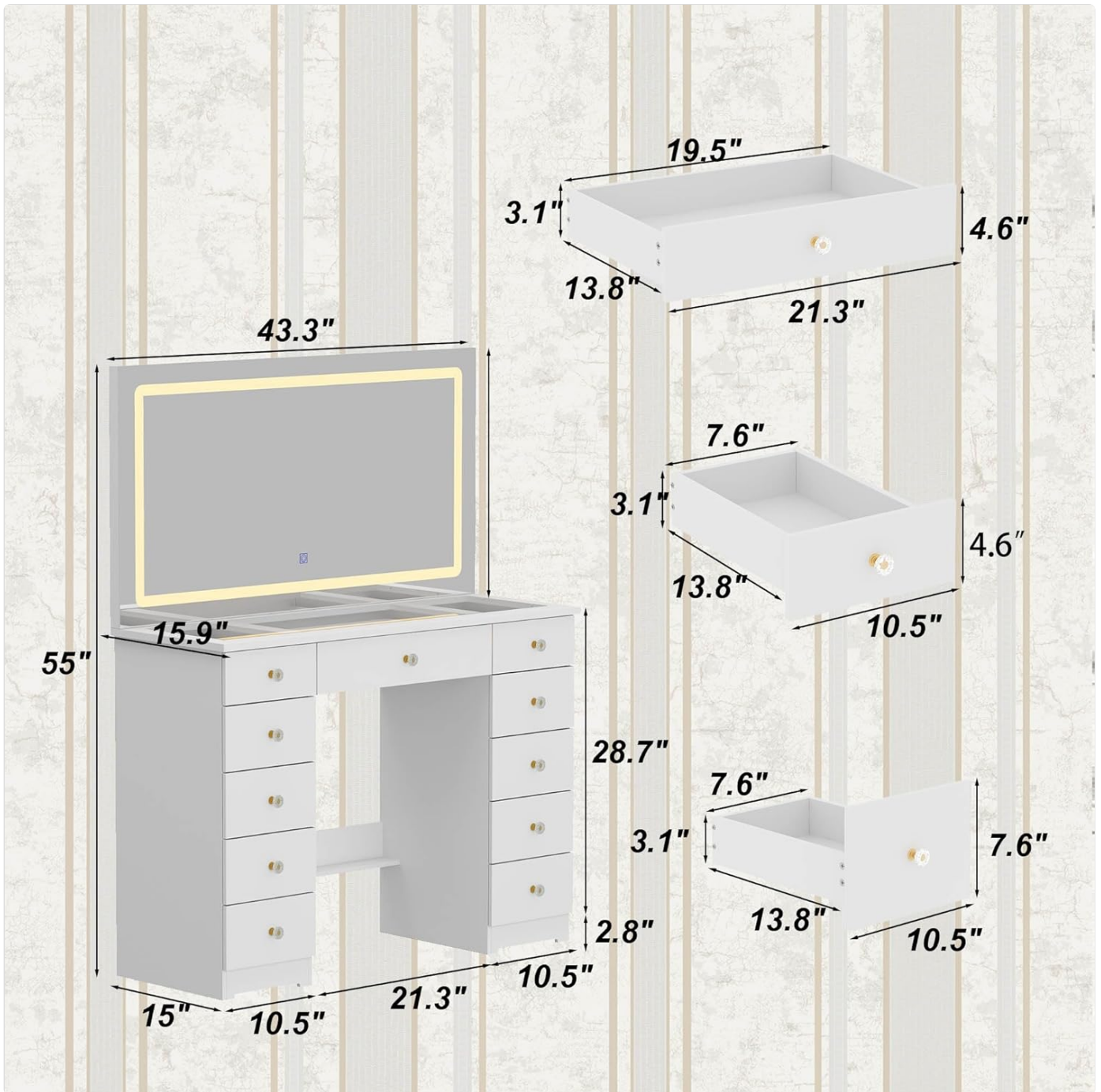


Figure 8.1: Detailed dimensions of the vanity desk and its components.

9. WARRANTY & SUPPORT

For warranty information or technical support, please contact Timechee customer service. Refer to your purchase documentation for specific warranty terms and contact details.

Manufacturer: Timechee

Website: [Timechee Official Store on Amazon](#)

Date First Available: December 3, 2024