

Tribesigns WZR-YS0329-ED-1

Tribesigns 92.9 Inch Large Executive Desk

Model: WZR-YS0329-ED-1 User Manual

1. INTRODUCTION

Thank you for choosing the Tribesigns 92.9 Inch Large Executive Desk. This manual provides essential information for the safe assembly, operation, and maintenance of your new desk. Please read these instructions carefully before beginning assembly and retain them for future reference.

This desk is designed to provide a spacious and functional workspace for home offices, business environments, or collaborative settings. Its robust construction and modern design ensure durability and aesthetic appeal.

2. SAFETY INFORMATION

- **Assembly:** Always assemble the desk on a soft, clean surface to prevent scratches. Ensure all components are securely fastened before use.
- **Weight Capacity:** Do not exceed the maximum weight recommendation of 300 pounds (136 kg) for the desktop.
- **Stability:** Place the desk on a level surface to ensure stability. Avoid placing heavy items unevenly on the desktop.
- **Children:** Keep small parts and packaging materials away from children during assembly.
- **Moving:** When moving the desk, lift it rather than dragging to prevent damage to the legs and floor.

3. PACKAGE CONTENTS

The Tribesigns 92.9 Inch Large Executive Desk is shipped in two separate packages. These packages may arrive on different days. Please ensure you have received both packages before beginning assembly. A detailed list of all parts and hardware can be found in the included Assembly Guide. Please cross-reference

the contents of your packages with the list in the guide to ensure all components are present.

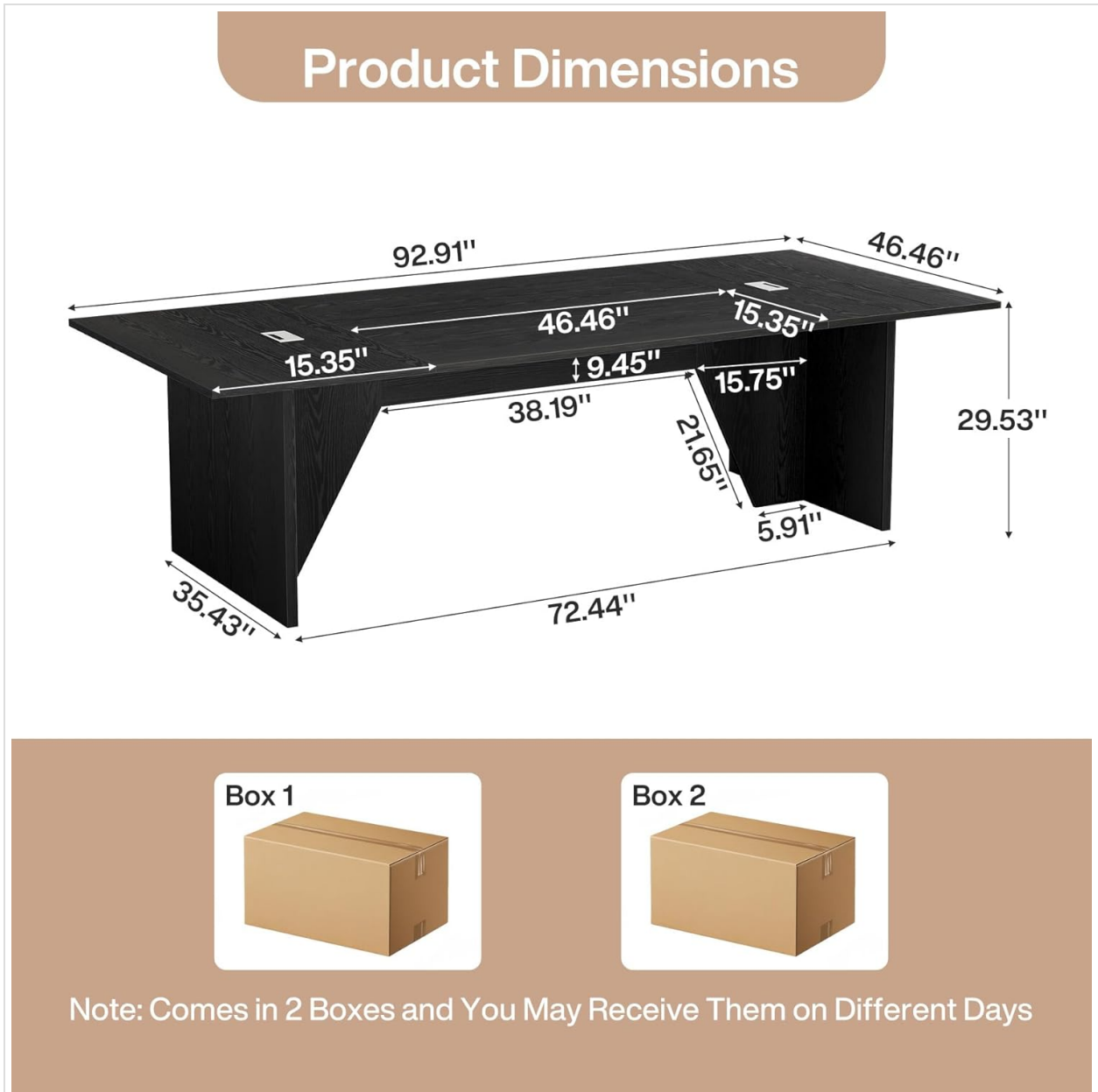


Image: Product dimensions diagram and illustration of two separate shipping boxes.

4. SPECIFICATIONS

Attribute	Detail
Brand	Tribesigns
Model Number	WZR-YS0329-ED-1
Dimensions (D x W x H)	46.46" x 92.91" x 29.53" (118cm x 236cm x 75cm)
Weight	95 Pounds (43 kg)
Color	Black
Material	Engineered Wood
Finish Type	Laminated

Maximum Weight Recommendation	300 Pounds (136 kg)
Special Features	Easy to Clean, Heavy-duty Sturdy Base, Scratch Resistant, Thick Desktop, Rectangle Grommet
Assembly Required	Yes
Recommended Number of People for Assembly	2

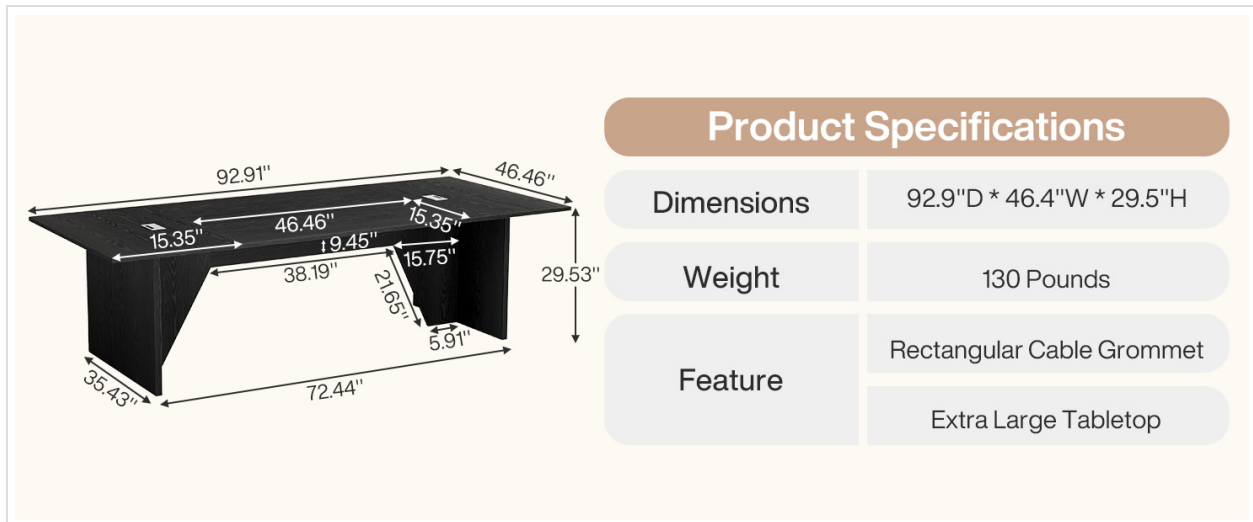


Image: Visual summary of product specifications.

5. SETUP AND ASSEMBLY

Assembly of the Tribesigns Executive Desk is required. It is recommended that two people undertake the assembly process to ensure safety and ease of construction.

5.1 Before You Begin

- 1. Clear Area:** Choose a spacious, clean, and soft area for assembly to prevent damage to the desk components or your floor.
- 2. Check Contents:** Verify that all parts and hardware listed in the included Assembly Guide are present. If any parts are missing or damaged, please contact customer service.
- 3. Tools:** Ensure you have any necessary tools as specified in the Assembly Guide (e.g., screwdriver, hammer).

5.2 Assembly Steps

Please refer to the detailed, step-by-step Assembly Guide included in your package for precise instructions. The guide contains diagrams and specific instructions for each component.

- Follow the numerical sequence of steps provided in the Assembly Guide.
- Ensure all screws and fasteners are tightened securely, but do not overtighten to avoid stripping.
- Pay close attention to the orientation of each piece as shown in the diagrams.



Image: Visual representation of key assembly features and materials.

6. OPERATING AND USE

The Tribesigns Executive Desk is designed for versatile use in various professional and home settings.

- **Spacious Workstation:** The large desktop provides ample space for multiple monitors, laptops, office supplies, and personal items.
- **Dual Workstation:** Its generous length allows for two individuals to work comfortably side-by-side, making it suitable for collaborative tasks or shared office spaces.
- **Cable Management:** Integrated rectangle grommets help organize and route cables, keeping your workspace tidy and free from clutter.
- **Versatile Applications:** Ideal for use as an executive desk, computer desk, conference table, writing desk, or for training and classroom environments.



Image: The desk set up as a dual workstation.

Wide application

Not only for Home / Office, Conference Room, but also for Training, Classroom, etc.



Image: Examples of the desk's versatile applications.

7. MAINTENANCE AND CARE

Proper care will extend the life and maintain the appearance of your Tribesigns Executive Desk.

- **Cleaning:** Wipe the surface with a dry cloth. For stubborn marks, a slightly damp cloth followed by a dry cloth can be used. Avoid abrasive cleaners or harsh chemicals.
- **Protection:** The desk features a scratch-resistant and wear-resistant laminated finish. However, using coasters for drinks and placemats for hot items is recommended to prevent potential damage.
- **Sunlight:** Avoid prolonged exposure to direct sunlight to prevent fading or discoloration of the finish.
- **Moisture:** Promptly wipe up any spills to prevent moisture damage to the engineered wood.



Image: Features demonstrating ease of maintenance.

8. TROUBLESHOOTING

If you encounter any issues with your Tribesigns Executive Desk, please refer to the following common solutions:

- **Wobbling Desk:** Ensure all screws and fasteners are securely tightened. Check that the desk is placed on a level surface. Adjust any leveling feet if present.

- **Missing Parts:** If you find any parts missing upon unpacking, refer to the Assembly Guide's parts list and contact customer service immediately for replacements.
- **Assembly Difficulties:** Review the Assembly Guide carefully. If you are still having trouble, consider seeking assistance from a second person as recommended.

9. WARRANTY AND CUSTOMER SUPPORT

Tribesigns stands behind the quality of its products.

- **Warranty:** Your Tribesigns Executive Desk comes with a 12-month warranty from the date of purchase.
- **Customer Service:** We offer lifetime professional customer service.
- **Damaged/Missing Parts:** In the event of damaged or missing parts, we provide a free exchange service.

For any questions, concerns, or to claim warranty service, please contact Tribesigns customer support through the retailer's platform or the official Tribesigns website. Please have your model number (WZR-YS0329-ED-1) and purchase information ready when contacting support.