

[Manuals.plus](#) /

› [Pamapic](#) /

› Pamapic Glass Top Makeup Vanity Desk with Foldable Mirror and Lights, 11 Drawers, White - User Manual

## Pamapic B0GTLRQRYL

# Pamapic Glass Top Makeup Vanity Desk with Foldable Mirror and Lights - User Manual

Model: B0GTLRQRYL

## INTRODUCTION

Thank you for choosing the Pamapic Glass Top Makeup Vanity Desk. This manual provides essential information for the safe assembly, operation, maintenance, and troubleshooting of your new vanity desk. Please read these instructions carefully before assembly and use, and retain them for future reference.



Image: The Pamapic Glass Top Makeup Vanity Desk, showcasing its overall design with the foldable mirror open, multiple drawers, and a stool.

## IMPORTANT SAFETY INFORMATION

- Always assemble the vanity desk on a soft, clean surface to prevent scratches.
- Ensure all screws and fasteners are securely tightened before use. Periodically check and re-tighten as necessary.
- To prevent tipping, always use the included anti-tip hardware to secure the vanity to a wall.
- Do not overload drawers or shelves. Distribute weight evenly.
- Keep electrical components (lights, power outlet) away from water and moisture.
- Only use the power outlet for devices within its specified voltage and current limits.
- Keep small parts and packaging materials away from children to prevent choking hazards.
- Handle the glass top and mirror with care to avoid breakage and injury.

## PACKAGE CONTENTS

---

Your Pamapic Vanity Desk is shipped in two separate boxes. Please ensure you have received both packages and all components are present before beginning assembly. If any parts are missing or damaged, please contact customer support.

- Vanity Desk Components (MDF boards, hardware)
- Foldable Mirror with LED Lights
- Tempered Glass Tabletop
- 11 Drawer Sets
- Vanity Stool
- Power Outlet Unit (2 AC, 2 USB ports)
- Golden Handles
- Assembly Hardware (screws, dowels, etc.)
- Anti-tip Kit
- Instruction Manual

## SETUP AND ASSEMBLY INSTRUCTIONS

---

Assembly of the Pamapic Vanity Desk requires careful attention to detail. It is recommended to have two people for certain steps, especially when handling the mirror and larger components. Please follow the step-by-step instructions provided in the separate assembly guide included in your package.

1. **Unpack and Identify Parts:** Carefully unpack all components from both boxes. Lay them out on a clean, soft surface. Identify each part using the labels and the assembly guide.
2. **Assemble the Base Structure:** Follow the guide to construct the main frame of the vanity desk, including the side cabinets and central desk area. Ensure all connections are secure.
3. **Install Drawers:** Assemble each of the 11 drawers according to the instructions. Install the drawer slides into the vanity frame and then insert the assembled drawers.
4. **Attach the Mirror Unit:** Carefully attach the foldable mirror unit to the top of the vanity desk. This step often benefits from two people to ensure proper alignment and secure fastening.
5. **Place the Glass Top:** Gently place the tempered glass tabletop onto the designated area. Ensure it is seated correctly.
6. **Install Power Outlet:** Integrate the power outlet unit into its designated slot. Connect the power cord.
7. **Assemble Stool:** Follow the instructions to assemble the vanity stool.
8. **Secure with Anti-Tip Kit:** For safety, attach the anti-tip hardware to the back of the vanity and secure it to a wall stud.



Image: Detailed product dimensions for the Pamapic Vanity Desk, including measurements for the overall unit, mirror, and individual drawers.

## OPERATING INSTRUCTIONS

### Foldable Mirror and LED Lights

The vanity features a foldable mirror with integrated LED lights, offering multiple viewing angles and adjustable illumination.

- **Folding Mechanism:** The side panels of the mirror can be folded inwards to protect the main mirror or opened outwards to provide a 360-degree view, allowing you to see yourself from different angles.
- **Hidden Storage:** When the side mirror panels are opened, additional storage shelves are revealed behind them, ideal for smaller beauty products.
- **LED Lighting Modes:** The mirror's LED lights offer three adjustable lighting modes:
  - **Cool White (6500K):** Bright, clear light suitable for detailed makeup application.
  - **Natural (4500K):** A balanced light that mimics natural daylight, ideal for everyday use.

- **Warm White (3500K):** A softer, warmer light for evening makeup or creating a relaxed ambiance.
- **Adjusting Lights:** Use the touch controls located on the mirror surface to switch between lighting modes and adjust brightness levels.



Image: The vanity desk mirror opened to provide a 360-degree view, demonstrating its functionality for comprehensive makeup application.

## 3 Color Light Modes

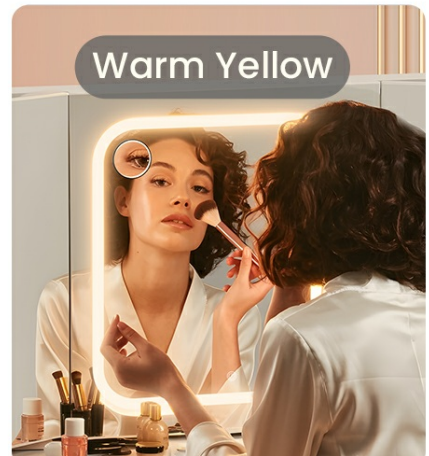


Image: Illustration showing the three adjustable lighting modes (Cool White, Natural, Warm White) available on the vanity mirror.

### Integrated Power Outlet

The vanity desk includes a built-in power outlet for convenience.

- **Functionality:** The unit provides two 3-prong AC outlets (120V/2A) and two USB ports (5V/2A).
- **Usage:** Use these outlets to power hair tools, charge mobile devices, or connect other small electronic accessories directly at your vanity.
- **Power Cord:** The power outlet unit is connected via a 4.8-foot power cord.



### Tri-fold Mirror

Folding mirror with LED lights, allowing you to see your face from three sides, providing a better.

Image: Close-up view of the integrated charging station with two AC outlets and two USB ports, highlighting its convenience for powering devices.

### Storage Features

- **11 Wide Drawers:** Utilize the numerous drawers for organizing cosmetics, skincare products, jewelry, and other personal items.
- **Glass Tabletop:** The tempered glass tabletop allows for easy visibility into the top drawers, helping you quickly locate items.
- **Hidden Stool Compartment:** The included stool may feature a hidden storage compartment for additional small items.

# Product Dimensions

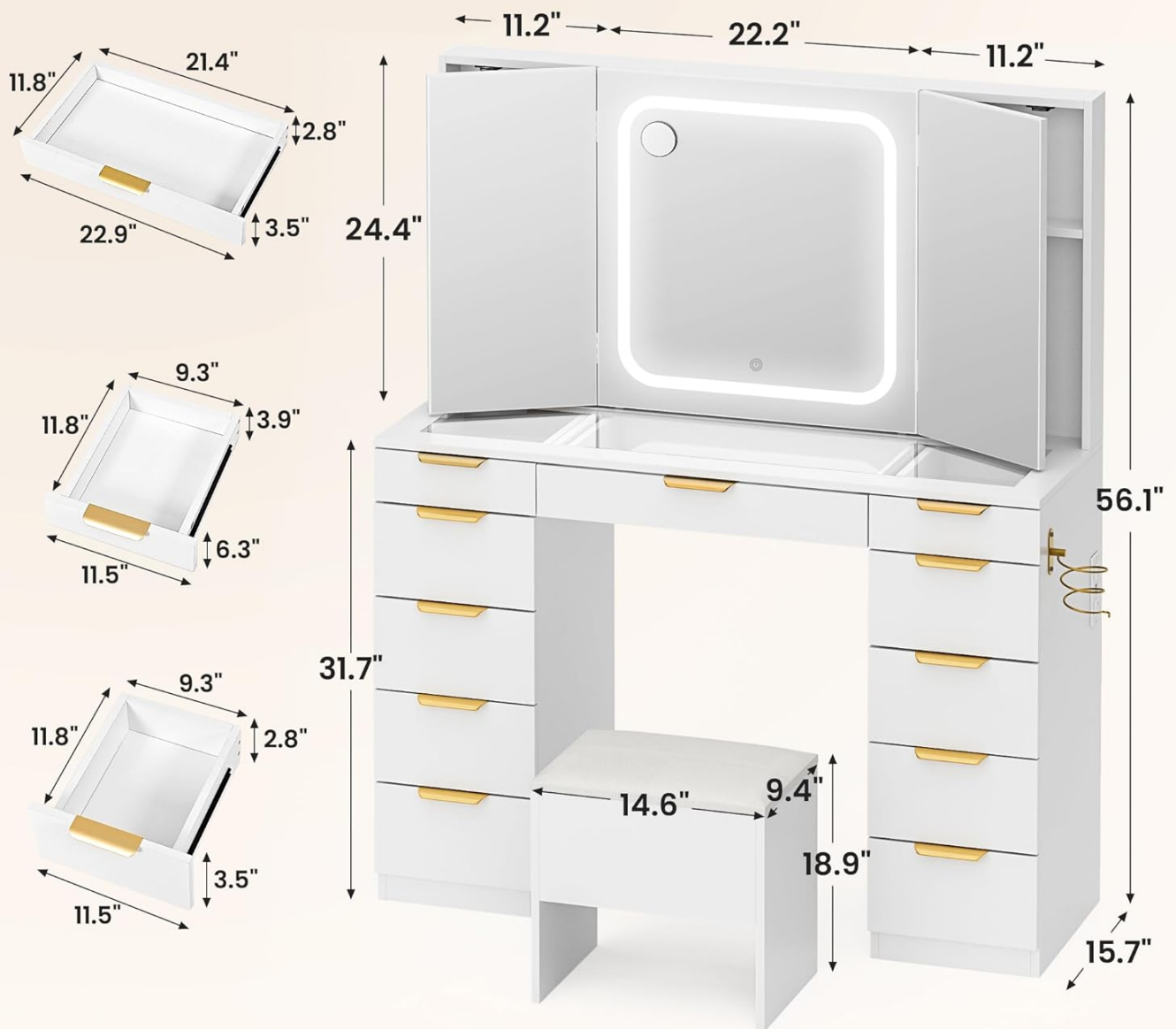


Image: A close-up of the vanity's glass tabletop, showing organized items beneath the clear surface, emphasizing the visible storage feature.

## MAINTENANCE

- **Cleaning the Surface:** Wipe the white engineered wood surfaces with a soft, damp cloth. Avoid abrasive cleaners or harsh chemicals that could damage the finish.
- **Cleaning the Glass Top and Mirror:** Use a glass cleaner and a microfiber cloth to clean the tempered glass tabletop and mirror surfaces. Spray cleaner onto the cloth, not directly onto the surface, to prevent liquid from seeping into edges.
- **Drawer Slides:** If drawers become stiff, a small amount of silicone-based lubricant can be applied to the drawer slides.
- **Electrical Components:** Ensure the power outlet and light connections remain dry and free of dust.

## TROUBLESHOOTING

Problem	Possible Cause	Solution
LED lights not working.	Power cord not plugged in; loose connection; faulty power outlet.	Ensure the vanity's power cord is securely plugged into a working wall outlet. Check all internal connections for the mirror lights. Test the wall outlet with another device.
Power outlets/USB ports not functioning.	Vanity power cord not plugged in; internal wiring issue; overloaded circuit.	Verify the main power cord is connected. Ensure devices are within the specified power limits. If the issue persists, contact customer support.
Drawers are stiff or do not slide smoothly.	Incorrect assembly of drawer slides; debris in slides; overloaded drawer.	Review assembly instructions for drawer slide installation. Clear any debris from the slides. Reduce the weight in the drawer. Apply a silicone lubricant if necessary.
Vanity feels wobbly or unstable.	Loose fasteners; uneven floor; anti-tip kit not installed.	Check and re-tighten all assembly screws. Ensure the vanity is on a level surface. Install the anti-tip kit as instructed.
Mirror arrived damaged or broke during assembly.	Shipping damage; accidental impact.	Immediately contact Pamapic customer support with proof of purchase and images of the damage for assistance with a replacement.

## SPECIFICATIONS

Feature	Detail
Model Number	B0GTLRQRYL
Brand	Pamapic
Color	White
Material	Engineered Wood
Product Dimensions (D x W x H)	15.8"D x 46.1"W x 56"H
Mirror Size	46" x 25"
Item Weight	95 Pounds
Number of Drawers	11
Mirror Type	Foldable with LED Lights (3 modes: 6500K, 4500K, 3500K)
Power Outlet	2 AC Outlets (120V/2A), 2 USB Ports (5V/2A)
Assembly Required	Yes
UPC	676327937727

## WARRANTY INFORMATION

Pamapic products are designed for quality and durability. For specific warranty details regarding your vanity desk, please refer to the warranty card included in your package or visit the official Pamapic website. Please retain your proof of purchase for any warranty claims.

## CUSTOMER SUPPORT

---

If you encounter any issues, have questions about assembly, or require replacement parts, please contact Pamapic customer support. Have your model number (B0GTLRQRYL) and proof of purchase ready when contacting support. For the most up-to-date contact information, please visit the Pamapic store on Amazon or their official website.

[Visit the Pamapic Store on Amazon](#)

