

[Manuals.plus](#) /

> [HONBAY](#) /

> HONBAY Modular Sectional Sleeper Sofa User Manual (Model Sleeper Sofa-1)

HONBAY Sleeper Sofa-1

HONBAY Modular Sectional Sleeper Sofa User Manual

Model: Sleeper Sofa-1

1. PRODUCT OVERVIEW

The HONBAY Modular Sectional Sleeper Sofa is a versatile furniture piece designed for living spaces, offering flexible configurations, integrated storage, and a convenient pull-out bed function. This U-shaped sofa provides comfort and utility, adapting to various needs from daily lounging to accommodating overnight guests.



Image 1.1: The HONBAY Modular Sectional Sleeper Sofa in a U-shaped arrangement, showcasing its overall design and modular nature.

Key Features:

- **Modular Design:** Allows for various configurations to suit different room layouts and preferences.
- **Pull-Out Sleeper:** Easily converts a section of the sofa into a comfortable bed for guests.
- **Integrated Storage:** Storage compartments are located under single seats, loveseats, and ottomans.
- **Durable Construction:** Features a sturdy wood frame and comfortable foam cushioning with polyester upholstery.
- **Easy Assembly:** Designed for tool-free assembly.

2. SAFETY INFORMATION

Please read and understand all safety instructions before assembly and use. Failure to follow these instructions may result in injury or damage to the product.

- Ensure all components are securely connected before use.
- Do not exceed the weight limit of 300 pounds per seat.
- Keep small children and pets away from moving parts during conversion of the sleeper function.
- Avoid standing or jumping on the sofa.
- Place the sofa on a level surface to prevent instability.

3. PACKAGE CONTENTS

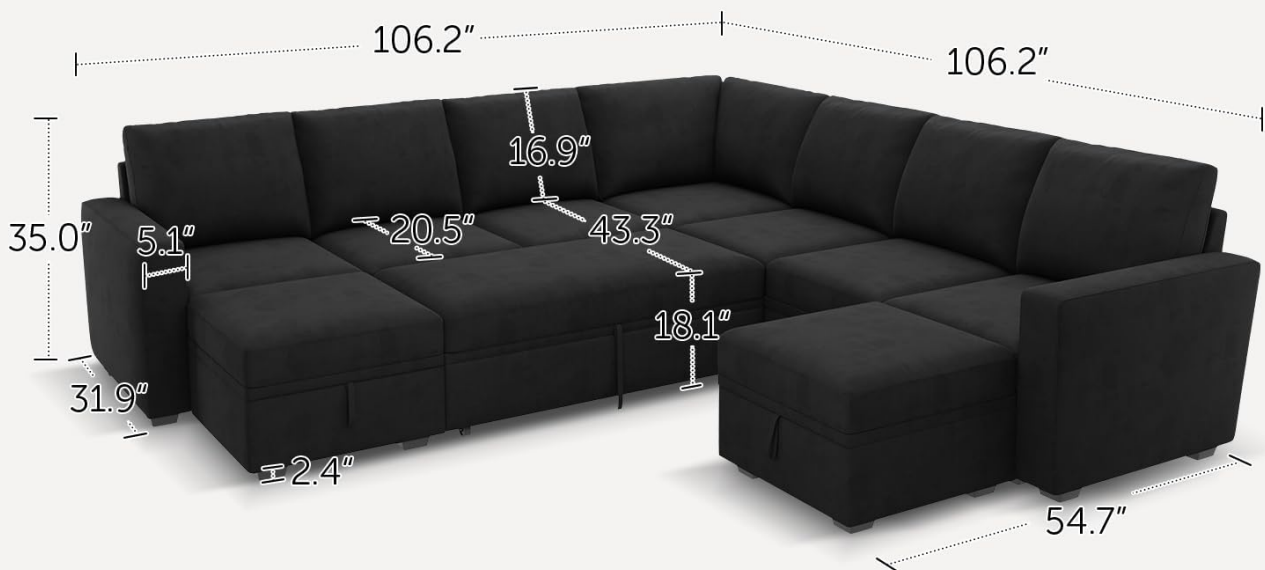
Your HONBAY Modular Sectional Sleeper Sofa is shipped in multiple boxes. Please verify that all components are

present before beginning assembly. The number of boxes may vary based on your specific configuration.

Dimensions

Overall: 106.2(D) * 106.2(W) * 35(H) inch

Weight Capacity: 350lbs per seat



*9

Number of Boxes

Image 3.1: An illustration detailing the overall dimensions of the sofa and indicating that the product is shipped in 9 boxes.

Typical Components (may vary by configuration):

- Single Seat Modules
- Pull-Out Bed Modules
- Loveseat Modules
- Ottoman Modules
- Corner Seat Modules
- Armrests
- Back Cushions
- Seat Cushions
- Hardware (pre-installed or minimal for connection)

4. SETUP AND ASSEMBLY

The HONBAY Modular Sectional Sleeper Sofa is designed for tool-free assembly. It is recommended that two people assemble the sofa for ease and safety.



Image 4.1: Visual guide demonstrating the simple, tool-free assembly process for connecting the modular sofa components.

Assembly Steps:

1. **Unpack Components:** Carefully remove all parts from their packaging. Ensure no components are damaged.
2. **Arrange Modules:** Place the individual sofa modules (single seats, loveseats, corner seats, pull-out beds, ottomans) in your desired configuration.
3. **Connect Modules:** Each module is equipped with built-in connectors. Align the connectors on adjacent modules and push them firmly together until they lock.
4. **Attach Armrests:** If applicable, slide the armrests onto the designated slots on the end modules.
5. **Place Cushions:** Position the seat and back cushions onto their respective modules.

5. OPERATING INSTRUCTIONS

5.1 Using the Pull-Out Sleeper Function

The integrated pull-out sleeper allows for easy conversion from a sofa to a bed.



Image 5.1: The HONBAY sofa transitioning from a standard seating arrangement to a fully extended sleeper bed.



Image 5.2: A visual guide demonstrating the pull-out and lift-up actions required to convert the sofa into a bed and back.

1. **To Extend:** Locate the fabric handle or loop at the front of the pull-out section. Gently pull the section outwards until it fully extends.
2. **To Lift:** Once extended, lift the front edge of the pull-out section upwards. It will lock into place, creating a flat sleeping surface.
3. **To Retract:** To return to sofa mode, lift the front edge of the pull-out section slightly to disengage the lock. Push the section back into the sofa until it is fully stowed.

5.2 Accessing Storage Compartments

Many modules feature hidden storage underneath the seat cushions.

Large Storage Space



Single Seat



Ottoman



Loveseat

Image 5.3: The sofa with various seat cushions lifted to reveal spacious storage compartments beneath, ideal for blankets and pillows.



Image 5.4: Detailed dimensions of the storage areas within the single seat, ottoman, and loveseat modules.

1. **To Open:** Lift the seat cushion of the desired module. The cushion will typically hinge upwards, revealing the storage space.
2. **To Close:** Gently lower the seat cushion back into place, ensuring it is securely seated.

5.3 Reconfiguring Modules

The modular design allows for flexible arrangement. To change the configuration:



Multiple Combination



Image 5.5: Examples of multiple possible configurations for the modular sofa, demonstrating its adaptability to various room layouts.

1. **Disconnect Modules:** Gently lift and separate the modules that are connected.
2. **Rearrange:** Move the modules to your desired new layout.
3. **Reconnect:** Align the built-in connectors of adjacent modules and push them together until they lock securely.

6. MAINTENANCE

Proper care will extend the life and appearance of your HONBAY sofa.

6.1 Cleaning Instructions

- **Regular Cleaning:** Vacuum regularly using an upholstery attachment to remove dust and debris.
- **Spot Cleaning:** For spills, blot immediately with a clean, dry cloth. For stubborn stains, use a mild fabric cleaner and follow the product instructions. Test on an inconspicuous area first.

- **Removable Covers:** The seat cushion covers are removable for easier cleaning. Refer to the care label on the covers for specific washing instructions.
- **Avoid Harsh Chemicals:** Do not use abrasive cleaners or strong detergents, as these can damage the fabric.

6.2 General Care

- **Cushion Care:** Rotate and fluff cushions periodically to maintain their shape and prevent premature wear.
- **Sunlight Exposure:** Avoid prolonged exposure to direct sunlight to prevent fading of the fabric.
- **Pet Care:** While the material is pet-friendly, regular grooming of pets and use of protective covers can help minimize wear and tear.

7. TROUBLESHOOTING

This section addresses common issues you might encounter with your sofa.

Problem	Possible Cause	Solution
Cushions appear flat or lose shape.	Normal compression over time; uneven use.	Fluff and rotate cushions regularly. Allow new cushions to fully expand after unpacking.
Fabric pilling.	Friction from use; characteristic of some fabric types.	Use a fabric shaver or lint remover to carefully remove pills.
Pull-out bed mechanism is stiff or not extending smoothly.	Obstruction; mechanism needs lubrication.	Check for any objects obstructing the mechanism. Ensure the track is clean. Apply a silicone-based lubricant if necessary.
Modules are separating.	Connectors not fully engaged.	Ensure all built-in connectors are properly aligned and pushed firmly together until they lock.
Damaged or broken component (e.g., wheel).	Manufacturing defect; accidental damage.	Contact HONBAY customer service for replacement parts or assistance.

8. SPECIFICATIONS

Feature	Detail
Brand	HONBAY
Model	Sleeper Sofa-1
Overall Dimensions (D x W x H)	106.2" x 106.2" x 35"
Seat Depth	20.5 inches
Seat Height	18.1 inches
Weight Limit (per seat)	300 Pounds
Item Weight	83.78 Pounds

Feature	Detail
Upholstery Fabric Type	Polyester
Frame Material Type	Wood
Fill Material	Foam
Assembly Required	Yes (Tool-free)
Recommended Number of People for Assembly	2
Color	Velvet Black

9. WARRANTY AND SUPPORT

9.1 Warranty Information

The HONBAY Modular Sectional Sleeper Sofa comes with a **Lifetime Warranty**. This warranty covers manufacturing defects and significant structural issues under normal use. Please retain your proof of purchase for warranty claims.

9.2 Customer Support

For any questions, concerns, or assistance with assembly, parts, or warranty claims, please contact HONBAY customer service. You can typically find contact information on the product packaging or through the retailer where you purchased the sofa. For general inquiries, you may visit the [HONBAY Store on Amazon](#).

