

[Manuals.plus](#) /

› [Auxbeam](#) /

› Auxbeam 4 Pods RGB LED Rock Lights Instruction Manual

Auxbeam QPAB011599

Auxbeam 4 Pods RGB LED Rock Lights Instruction Manual

Model: QPAB011599

1. PRODUCT OVERVIEW

The Auxbeam 4 Pods RGB LED Rock Lights provide customizable lighting for various vehicles. Featuring 16 million RGB colors and a 6000K hybrid white light, these lights offer diverse aesthetic options. A smart brake light mode enhances safety by turning the lights red upon braking. Each unit is equipped with 30 high-intensity 3535 SMD LEDs, providing a 213° ultra-wide illumination angle for comprehensive coverage. Control is available via the Cool Motor Bluetooth App or the included RF remote, offering 180 dynamic lighting modes, music sync, and voice-responsive lighting. The lights are constructed with die-cast aluminum housing and an IP67 waterproof rating, ensuring durability in harsh conditions. Designed for 12V systems, they are compatible with cars, trucks, ATVs, UTVs, marine vehicles, boats, RVs, and SUVs.



Figure 1: Auxbeam 4 Pods RGB LED Rock Lights

DYNAMIC COLOR-CHANGING ROCK LIGHTS

- 16 Million Colors
- Music Sync
- 180 Modes
- Voice Mode
- Brake Light Function
- APP + Remote

Figure 2: Key features of the Auxbeam Dynamic Color-Changing Rock Lights, including 16 million colors, music sync, 180 modes, voice mode, brake light function, and app/remote control.

2. WHAT'S IN THE BOX

Verify that all components are present before beginning installation:



Figure 3: Detailed view of the kit contents.

- RGB LED Rock Light x 4
- Control Box (with Brake Line) x 1
- Flat Rubber Mounting Pad x 4
- Concave Rubber Mounting Pad x 4
- APP Manual x 1
- Rock Light Manual x 1
- RF Remote Control x 1
- Washer x 8
- Nut x 8
- Screw x 8

3. SPECIFICATIONS

Feature	Specification
Max Current/Pod	1A
Max Power/Pod	12W
Input Voltage	DC 12V
Rated Voltage	DC 12V
Lumen/Pod	Max 720LM
Illumination Angle	213°
LED Type	3535 SMD
Control Box Material	ABS Plastic
APP Name	Cool Motor
Material	Die-cast Aluminum Housing

Feature	Specification
Water Resistance Level	IP67 Waterproof
Operating Temperature	-49°F to 185°F
Dimensions (L x W x H)	14.76 x 7.28 x 4.13 inches
Item Weight	3.2 Pounds
Compatibility	DC12V systems (Universal Fit for ATV, Car, Golf Cart, RV, Snowmobile, Tractor, Truck, UTV, Van)

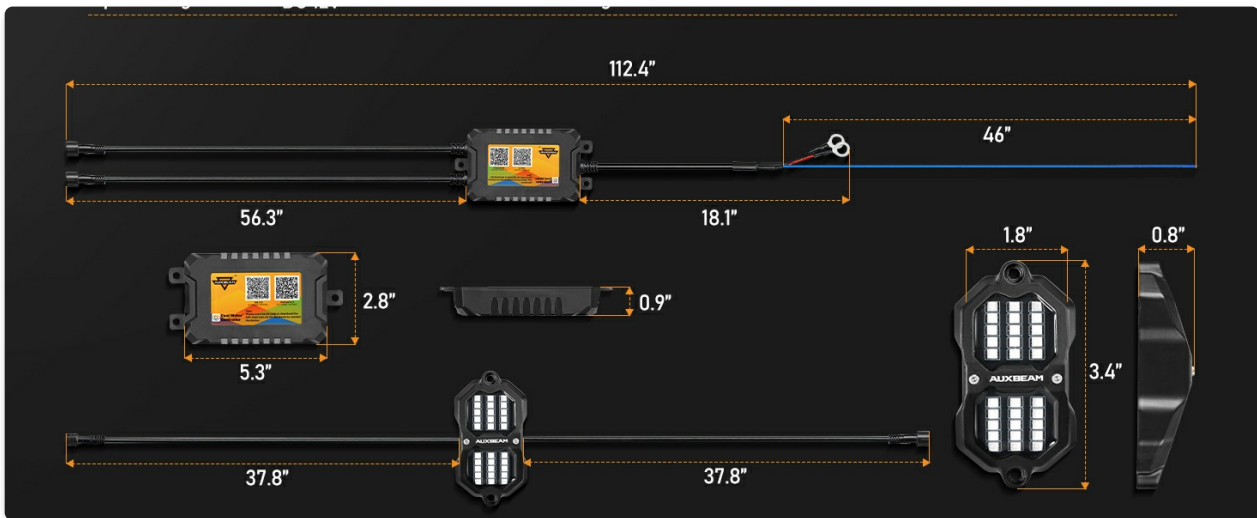


Figure 4: Product dimensions and wiring lengths for installation planning.

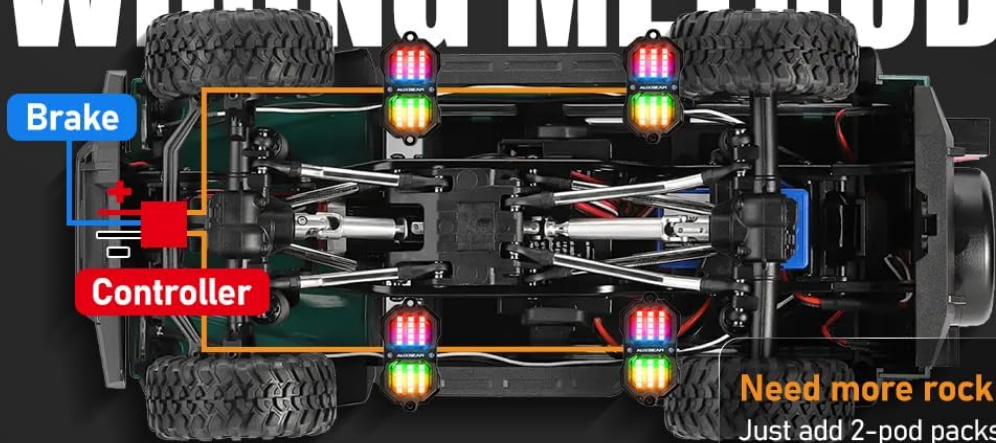
4. SETUP AND INSTALLATION

The Auxbeam RGB LED Rock Lights are designed for straightforward installation on 12V DC systems. The new version features a daisy-chain wiring method, simplifying the process compared to older parallel wiring systems.

4.1 Wiring Method

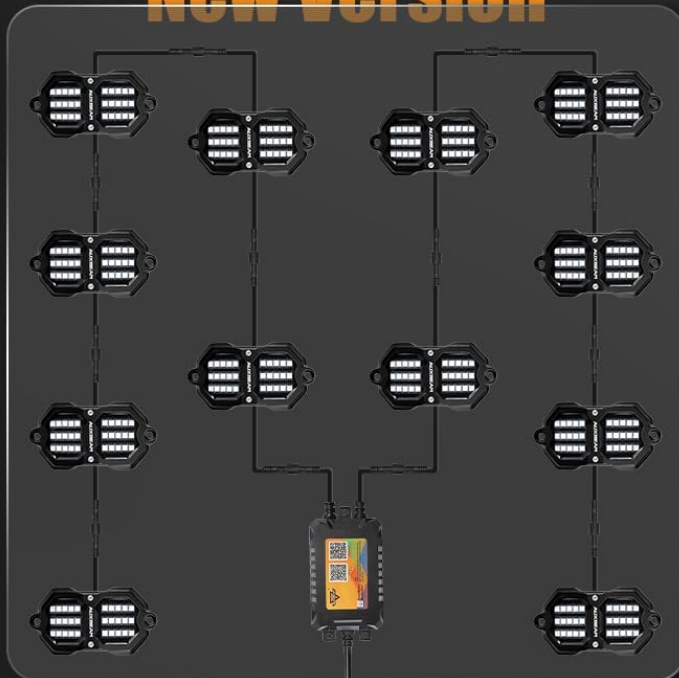
The system utilizes a series wiring approach. Two main leads extend from the control box, one for the driver's side and one for the passenger's side. Each light pod then connects sequentially to the previous one. This design significantly reduces wiring complexity and installation time.

WIRING METHOD



Need more rock light?
Just add 2-pod packs!
(Max 12 pods per controller)

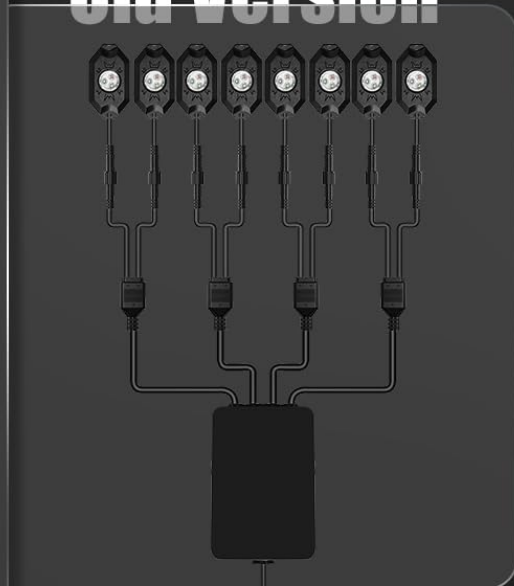
New Version



Series Wiring

- One cable run powers multiple lights
- Install in half the time!

Old Version



Parallel Wiring

- Requires separate wiring for each light
- Messy & time-consuming

Figure 5: Comparison of the new series wiring method (left) and the old parallel wiring method (right). The new method uses one cable to power multiple lights, reducing installation effort.

Important Considerations:

- Ensure the vehicle operates on a 12V DC system.
- Plan your wire routing carefully. While the daisy-chain method simplifies wiring, larger vehicles may require extension cables for optimal placement.
- Limit each controller to a maximum of 12 pods for optimal performance.
- Use the provided flat or concave rubber mounting pads to secure the lights in desired locations.

4.2 Brake Light Integration

Connect the dedicated brake line from the control box to your vehicle's brake light circuit. This enables the smart brake light mode, causing all rock lights to illuminate red when the brakes are applied, enhancing visibility and safety.

AUXBEAM

16 MILLION RGB COLORS

Paint Life With Light!

BRAKE LIGHT FUNCTION

When brakes hit, all lights go red

Figure 6: The brake light function activates, turning the rock lights red to alert other drivers.

5. OPERATING INSTRUCTIONS

The Auxbeam RGB LED Rock Lights can be controlled using either the Cool Motor Bluetooth App or the included RF remote control.

5.1 Bluetooth App Control (Cool Motor App)

Download the "Cool Motor" app from your smartphone's app store. Once installed, pair your device with the rock light system via Bluetooth. The app provides comprehensive control over the lights.



Figure 7: The Cool Motor App offers extensive control, including 16 million colors, 180 dynamic modes, music sync, voice mode, and group management for multiple Auxbeam lights.

App Features:

- **16 Million Colors:** Select any color from the spectrum.
- **180 Dynamic Lighting Modes:** Choose from a wide array of pre-programmed effects.
- **Music Mode:** Lights synchronize with the beats of your music.
- **Voice Mode:** Lights react to your voice pitch and rhythm.
- **Group Management:** Control multiple compatible Auxbeam lights simultaneously from one app.
- **Color Adjustment:** Fine-tune colors and brightness.
- **Lighting Mode Adjustment:** Customize speed and intensity of dynamic modes.

5.2 RF Remote Control

The included RF remote provides convenient control over basic functions and lighting modes.



Figure 8: The portable RF remote control allows for quick adjustments to light settings.

Remote Functions:

- **ON/OFF:** Power the lights on or off.
- **Speed Up/Slow Down:** Adjust the speed of dynamic modes.

- **Previous/Next Mode:** Cycle through dynamic lighting modes.
- **Automatic Mode:** Activate an automatic cycling of modes.
- **Increase/Decrease Brightness:** Adjust light intensity.
- **Preset Basic Colors:** Direct selection of common colors (Red, Green, Blue, White, etc.).
- **Preset Mixed Colors:** Direct selection of mixed color options.

Your browser does not support the video tag.

Video 1: Official Auxbeam video demonstrating the color-changing RGB LED rock lights in action, showcasing various modes and effects.

6. MAINTENANCE

The Auxbeam RGB LED Rock Lights are designed for durability and minimal maintenance. The die-cast aluminum housing and IP67 waterproof rating protect against dust, mud, and harsh weather conditions.

- **Cleaning:** Periodically clean the light pods with a soft cloth and mild soap to remove dirt and debris. Avoid abrasive cleaners that could damage the lens or housing.
- **Inspection:** Regularly inspect wiring connections for any signs of wear, corrosion, or damage. Ensure all mounting hardware remains secure.
- **Environmental Resistance:** The lights are built to withstand temperatures from -49°F to 185°F.



Figure 9: The robust die-cast aluminum housing ensures durability and resistance to environmental factors.

7. TROUBLESHOOTING

If you encounter issues with your Auxbeam RGB LED Rock Lights, refer to the following common troubleshooting steps:

- **Lights Not Turning On:**

- Check all power connections to ensure they are secure and properly wired to the 12V DC system.
- Verify the vehicle's battery has sufficient charge.
- Inspect the control box and wiring for any visible damage.

- **Remote Control Not Working:**

- Ensure the remote control battery (1 AAAA battery, included) is correctly installed and not depleted.
- Confirm there are no obstructions between the remote and the control box.

- **Bluetooth App Connectivity Issues:**

- Make sure Bluetooth is enabled on your smartphone.
- Ensure no other devices are actively connected to the rock light system via Bluetooth. Disconnect from other Bluetooth devices (e.g., car radio) if necessary.
- Restart the Cool Motor app and attempt to reconnect.
- If issues persist, try restarting your smartphone and the vehicle's power to the lights.

- **Inconsistent Lighting or Color Issues:**

- Check for loose connections in the daisy-chain wiring.
- Ensure the control box is not overloaded (maximum 12 pods per controller).
- Reset the lights via the app or by temporarily disconnecting power.

- **Brake Light Mode Not Activating:**

- Verify the brake line from the control box is correctly connected to the vehicle's brake light circuit.
- Check the vehicle's brake lights for proper function.

8. WARRANTY AND SUPPORT

The Auxbeam 4 Pods RGB LED Rock Lights come with a **1-year warranty** provided by Auxbeam. This warranty covers manufacturing defects and ensures product reliability.

For technical support, warranty claims, or any product-related inquiries, please contact Auxbeam customer service through their official website or the contact information provided in the product packaging.