

DNYN Twin Size Velvet Daybed Frame with Pop-up Trundle Bed

DNYN Twin Velvet Daybed with Pop-up Trundle Instruction Manual

Model: Twin Size Velvet Daybed Frame with Pop-up Trundle Bed

1. INTRODUCTION

Thank you for purchasing the DNYN Twin Size Velvet Daybed Frame with Pop-up Trundle Bed. This manual provides essential information for the safe assembly, operation, and maintenance of your new daybed. Please read all instructions carefully before beginning assembly and retain this manual for future reference.

Safety Warnings

- **Weight Capacity:** Do not exceed the maximum weight capacity of 250 lbs for both the daybed and the trundle.
- **Assembly:** Ensure all parts are correctly assembled and fasteners are tightened securely before use.
- **Movement:** Use caution when converting between daybed and trundle bed modes to prevent injury.
- **Children:** Keep small parts away from children during assembly.
- **Placement:** Place the daybed on a flat, stable surface.

2. PACKAGE CONTENTS

Before assembly, verify that all components and hardware are present. Refer to the separate assembly instruction sheet included in your package for a detailed list of parts. If any parts are missing or damaged, please contact customer support.

The package typically includes:

- Daybed frame components (headboard, footboard, side rails)
- Pop-up trundle bed frame components
- Wooden slats for both daybed and trundle
- Hardware pack (screws, bolts, washers, Allen wrench)
- Installation Manual

3. SETUP AND ASSEMBLY

Assembly of the DNYN Daybed is required. Please follow the step-by-step instructions provided in the dedicated assembly manual included with your product. It is recommended to have two adults for assembly. Ensure you have adequate space and the necessary tools (usually an Allen wrench, which is provided).

Key Assembly Steps (Refer to detailed manual for specifics):

1. Unpack all components and lay them out on a clean, soft surface to prevent scratches.
2. Attach the side rails to the headboard and footboard.
3. Install the wooden slats onto the daybed frame.
4. Assemble the pop-up trundle frame and install its wooden slats.
5. Insert the assembled trundle into the daybed frame.
6. Ensure all connections are tight and stable.

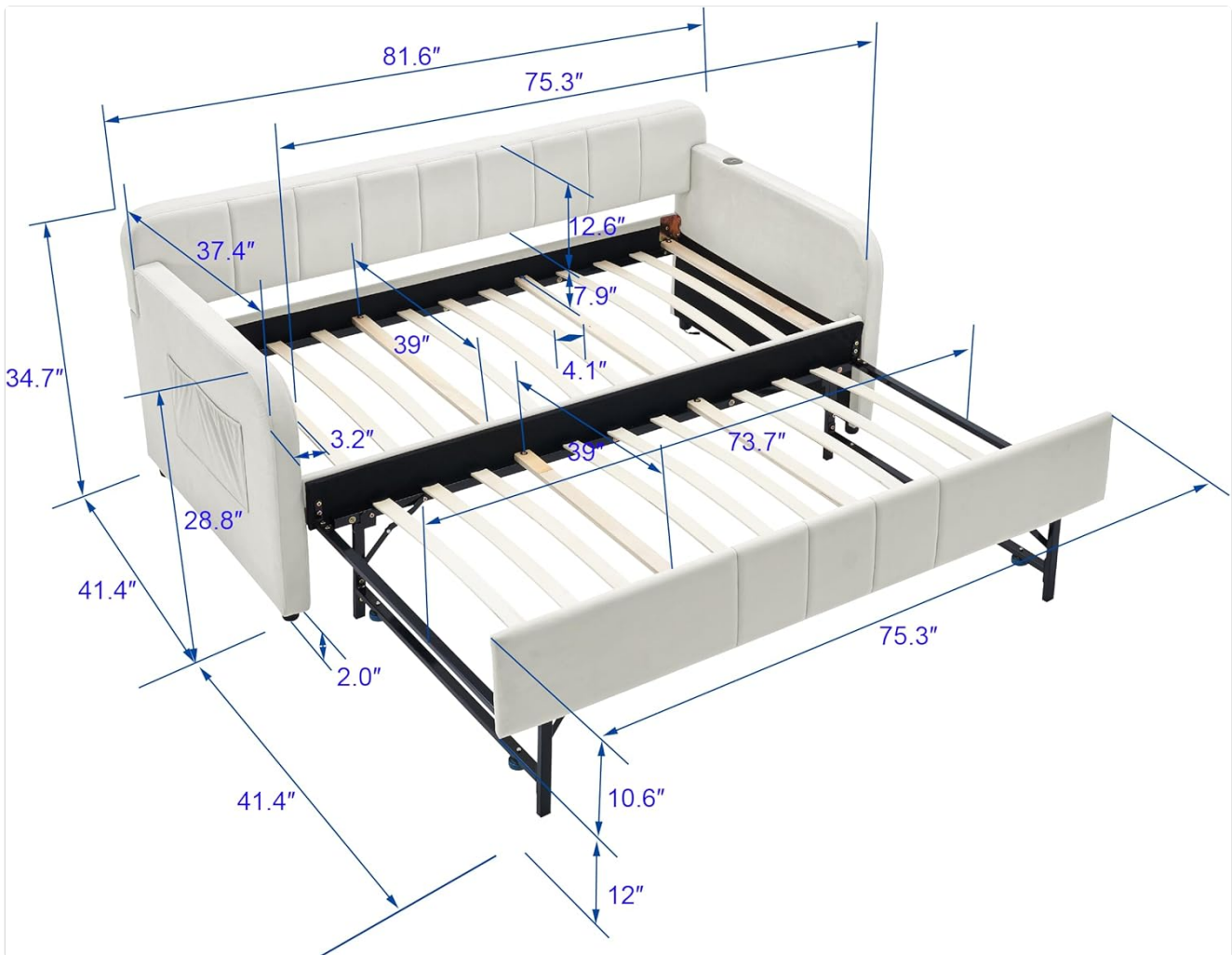


Image: The DNYN Twin Velvet Daybed in beige, fully assembled with the pop-up trundle extended, showcasing its dual sleeping capacity. Pillows and a blanket are draped over the bed.

4. OPERATING INSTRUCTIONS

Using the Pop-up Trundle

The daybed features a convenient pop-up trundle for additional sleeping space. To deploy the trundle:

1. Gently pull the trundle unit out from under the main daybed frame.
2. Locate the lifting mechanism (usually a handle or lever) on the trundle frame.

3. Lift the trundle frame upwards until it locks into the raised position, aligning with the height of the main daybed.
4. To retract, release the locking mechanism and carefully lower the trundle, then push it back under the daybed.

Your browser does not support the video tag.

Video: Demonstration of the DNYN Upholstered Daybed with Pop-up Trundle, showing how to extend and retract the trundle bed for additional sleeping space.



Image: The DNYN Twin Velvet Daybed in beige with the pop-up trundle fully retracted, functioning as a compact sofa or single bed.

Using the Built-in USB Port

The daybed includes a built-in USB charging port for your convenience. To use it:

1. Ensure the daybed is connected to a power source (if applicable, check the power cord connection).
2. Plug your device's USB charging cable into the USB port located on the side of the daybed.
3. The port provides power for charging compatible electronic devices.



Image: A close-up view of the integrated USB charging port on the side of the daybed, showing a USB-A and USB-C input.

Using the Side Storage Pocket

A side storage pocket is integrated into the design for easy access to small items.

- Use the pocket to store remote controls, books, magazines, or other small personal items.
- Avoid overloading the pocket to maintain its shape and integrity.



Image: A close-up view of the fabric side storage pocket on the daybed, shown holding a magazine.

5. MAINTENANCE AND CARE

Proper care will extend the life and appearance of your DNYN Daybed.

- **Cleaning:** Wipe the velvet upholstery with a dry cloth to remove dust and light debris. For spills, blot immediately with a clean, dry cloth. Avoid harsh chemicals or abrasive cleaners.
- **Frame Care:** Periodically check all bolts and screws to ensure they remain tight. Retighten as necessary to maintain structural integrity.
- **Sunlight Exposure:** Avoid prolonged exposure to direct sunlight to prevent fading of the velvet fabric.
- **Moving:** When moving the daybed, lift it rather than dragging it to prevent damage to the frame and floor.

6. TROUBLESHOOTING

If you encounter any issues with your DNYN Daybed, please refer to the following common solutions:

- **Squeaking Noises:** Check all assembly bolts and screws. Tighten any loose connections. Ensure the wooden slats are properly seated.
- **Trundle Not Moving Smoothly:** Inspect the trundle wheels for any obstructions. Ensure the track is clear of debris.
- **USB Port Not Working:** Verify that the daybed's power cord (if applicable) is securely plugged into a working electrical outlet. Test with a different USB cable and device.
- **Missing Parts/Damage:** If you received the product with missing parts or damage, do not proceed with assembly. Contact customer support immediately.

For further assistance, please contact DNYN customer support.

7. SPECIFICATIONS

Product Type	Twin Size Velvet Daybed Frame with Pop-up Trundle Bed
Brand	DNYN
Color	Beige
Material	Pine Wood, MDF, Iron, Velvet
Overall Product Dimensions (L x W x H)	81.6" x 41.4" x 34.7"
Daybed Dimensions	75.3" x 39"
Trundle Dimensions	73.7" x 39"
Weight Capacity (Daybed)	250 lbs
Weight Capacity (Trundle)	250 lbs
Assembly Required	Yes
Special Features	Pop-up Trundle, Built-in USB Port, Side Storage Pocket, No Box Spring Needed



Image: A technical diagram illustrating the precise dimensions of the DNYN Twin Velvet Daybed and its pop-up trundle in both retracted and extended positions.

8. WARRANTY AND SUPPORT

Limited Warranty

This DNYN product comes with a limited warranty. Please refer to the warranty card included in your package for specific terms, conditions, and duration of coverage. The warranty typically covers manufacturing defects under normal use.

Customer Support

For any questions, concerns, or assistance with assembly, parts, or warranty claims, please contact DNYN customer support. Have your model number and purchase information ready when contacting support. You can often find contact information on the manufacturer's website or through your retailer.

