

## Manuals+

[Q & A](#) | [Deep Search](#) | [Upload](#)

Manuals.plus /

› [Dowinx](#) /

› Dowinx Vanity Desk with Mirror and Lights, Model LS-QL-66BS-03 Instruction Manual

## Dowinx LS-QL-66BS-03

# Dowinx Vanity Desk with Mirror and Lights, Model LS-QL-66BS-03 Instruction Manual

Brand: Dowinx

## INTRODUCTION

This manual provides comprehensive instructions for the assembly, operation, and maintenance of your Dowinx Vanity Desk. Please read all instructions carefully before beginning assembly or use to ensure safe and proper functionality.

## IMPORTANT SAFETY INFORMATION

**Please observe the following safety guidelines:**

- Always unplug the vanity before assembly or disassembly.
- Keep electrical components away from water.
- Do not use the vanity if the power cord is damaged.
- Always follow the assembly instructions carefully to avoid injury.
- Do not place heavy objects on the vanity that could cause it to tip over.

## PACKAGE CONTENTS

Verify all components are present before beginning assembly. Refer to the parts list in your included assembly guide for a complete inventory.



Image: All components of the Dowinx Vanity Desk are neatly organized and laid out on a carpeted floor, ready for assembly. The instruction manual and hardware box are visible.

## **ASSEMBLY INSTRUCTIONS**

The Dowinx Vanity Desk is designed for straightforward assembly. It is recommended to have two people for certain steps, especially when handling larger sections.

### **Step 1: Unpacking and Preparation**

Carefully unpack all components from the box. Lay out all numbered and lettered parts on a clean, flat surface to ensure easy identification. Locate the hardware kit and assembly manual.



Image: A close-up view of the unpacked Dowinx Vanity Desk components, including the instruction manual, power cables, and a box containing screws and tools.

## Step 2: Assembling the Base

Follow the step-by-step diagrams in your included assembly manual to construct the base of the vanity desk. Ensure all screws are tightened securely but do not overtighten.

# Keep Your Space Neat and Tidy



Image: A person is shown assembling a section of the vanity desk, carefully inserting screws into pre-drilled holes.

## Step 3: Attaching the Top Section

This step may require assistance due to the weight and size of the mirror and upper shelving unit. Carefully align the top section with the pegs on the base and gently lower it into place, ensuring a snug fit.

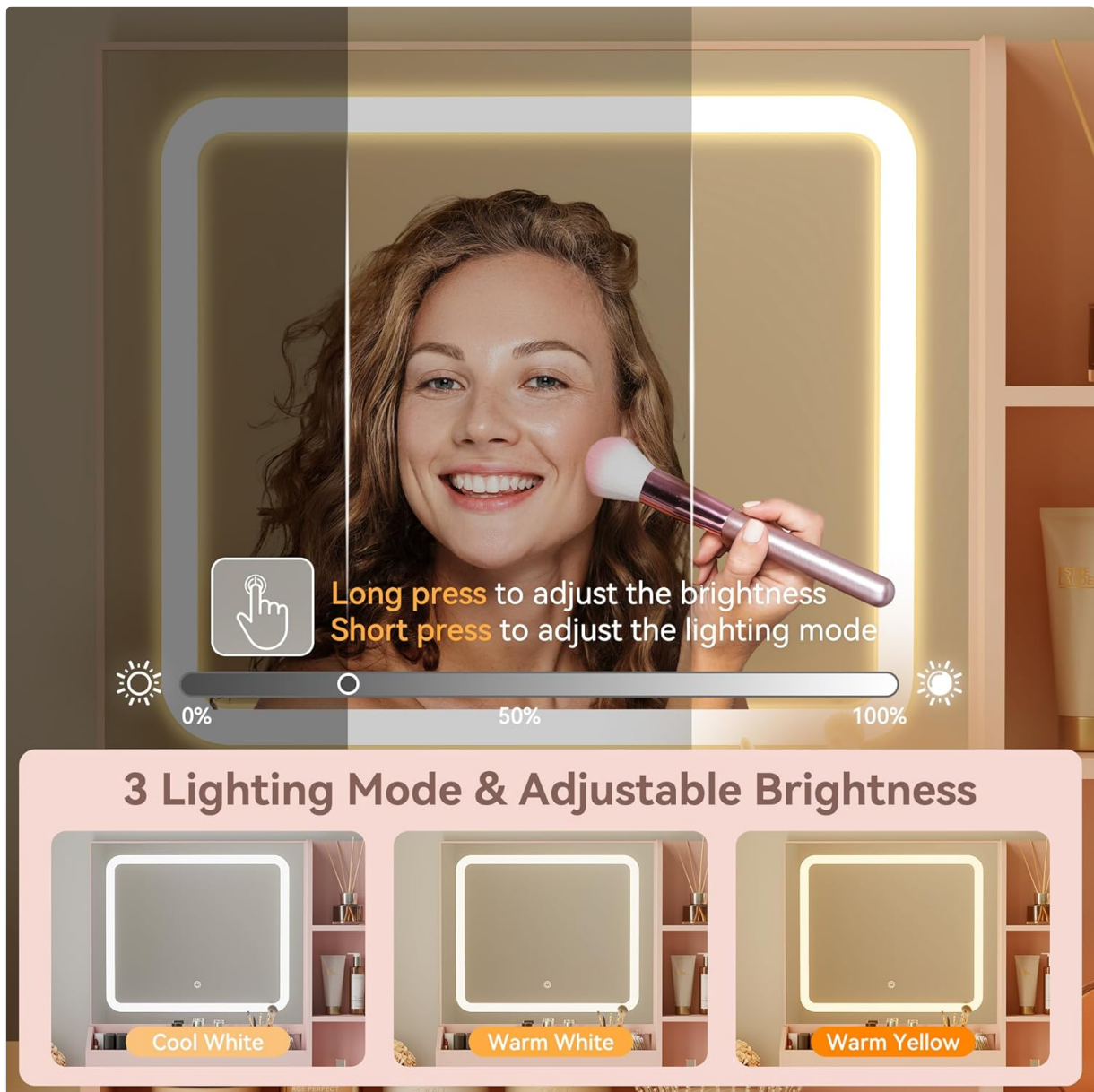


Image: A person carefully lowers the upper section of the vanity, which includes the mirror and shelves, onto the assembled base.

#### Step 4: Installing Drawers and Doors

Install the drawer slides into the designated slots, then insert the drawers. Attach the cabinet door using the provided hinges, ensuring smooth and quiet operation. Adjust hinges if necessary for proper alignment.



Image: A person slides a drawer into its designated slot within the vanity desk, demonstrating the smooth operation of the drawer slides.

### Step 5: Final Touches

Attach the drop-leaf countertop and the hairdryer holder to their respective positions. Connect the power outlet and mirror lights to a suitable power source. Place the storage stool in front of the vanity.



Image: The fully assembled Downix Vanity Desk, complete with its mirror, shelves, drawers, and matching stool, is shown in a bedroom setting.

## OPERATING INSTRUCTIONS

### LED Lighted Mirror

The mirror features integrated LED lighting with three color modes and adjustable brightness for optimal illumination during use.

- **To turn on/off:** Short press the power button icon located on the mirror surface.
- **To change color mode** (Warm Yellow, Warm White, Cold White): Short press the power button icon while the light is on.
- **To adjust brightness:** Long press the power button icon while the light is on. The brightness will gradually cycle through its range; release when desired brightness is reached.

# Large Capacity Storage Area

Makeup vanity desk is designed with functionality and safety in mind, keeping your beauty essentials organized and within reach.



Image: A close-up of the vanity mirror showing the touch-sensitive power button icon and the illuminated LED strip around the mirror.

## Power Outlet and USB Ports

The vanity desk includes a built-in power strip with 2 standard AC outlets (125V/12A) and 2 USB ports (5V/2.1A). These are designed for convenient charging of mobile devices and powering beauty tools such as hairdryers or curling irons.

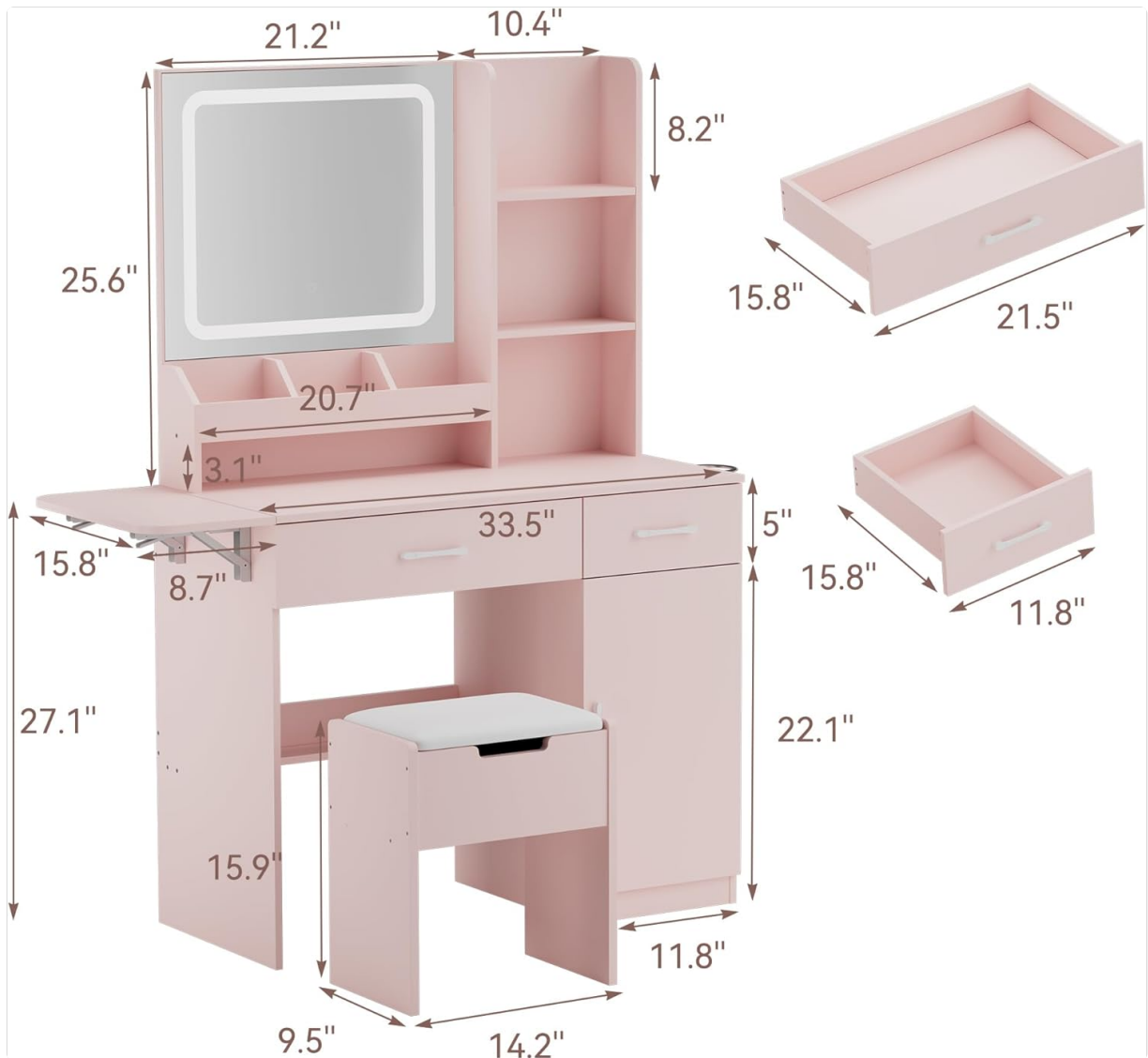


Image: A detailed view of the integrated power strip on the side of the vanity desk, featuring two AC outlets and two USB ports, with a hairdryer holder nearby.

### Drop-Leaf Countertop

The side drop-leaf countertop can be extended for additional workspace or folded down to save space when not in use.

- **To extend:** Lift the leaf until the support brackets underneath lock into place.
- **To fold down:** Press the release mechanism on the brackets and gently lower the leaf.

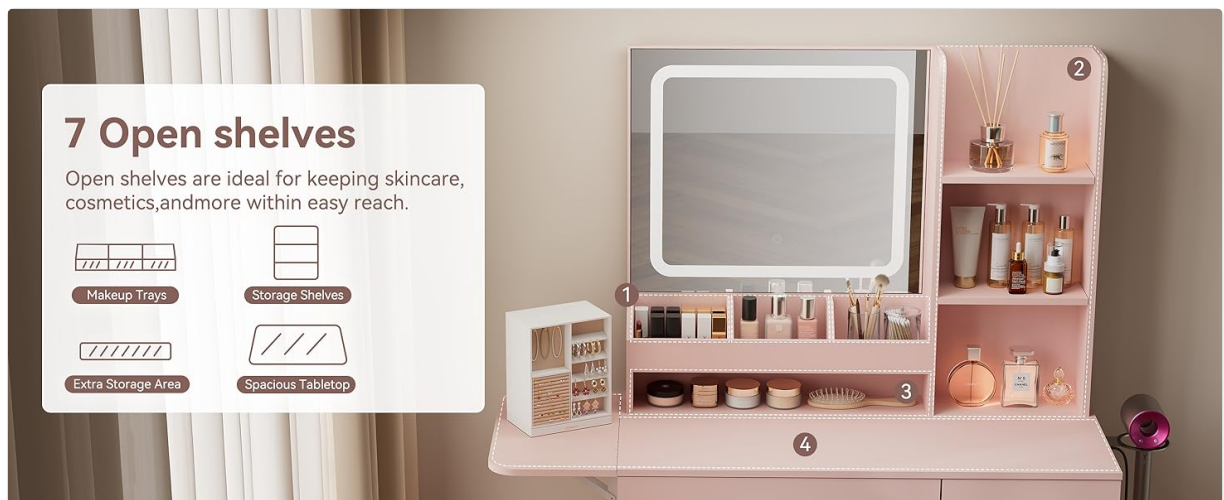


Image: A visual demonstration of the drop-leaf countertop, showing it both extended for extra space and folded down for

compact storage.

## Storage Stool

The included stool features a padded seat that lifts to reveal hidden storage space, ideal for keeping small items organized and out of sight.



Image: A pink storage stool with a padded top, shown with the top lifted to reveal internal storage space.

## MAINTENANCE

- **Cleaning Surfaces:** Wipe all surfaces with a soft, damp cloth. Avoid using abrasive cleaners, harsh chemicals, or solvents that may damage the finish.
- **Mirror Care:** Use a glass cleaner specifically designed for mirrors. Apply the cleaner to a soft cloth first, then wipe the mirror. Do not spray cleaner directly onto the mirror surface.
- **Electrical Components:** Always ensure the vanity is unplugged from the power source before cleaning any electrical parts or the area around the power outlet.
- **Hardware:** Periodically check and tighten any loose screws, bolts, or fittings to maintain the stability and structural integrity of the vanity desk.

## TROUBLESHOOTING

### Mirror Lights Not Working

- Check if the power cord is securely plugged into a working electrical outlet.
- Ensure the power button on the mirror is pressed correctly.
- Verify there is power to the outlet by testing it with another device.

### Drawers or Doors Sticking

- Check for any obstructions in the drawer slides or door hinges.
- Ensure all assembly screws are properly tightened and not overtightened, which can cause misalignment.

### Vanity Instability

- Verify all connections and screws are securely fastened.
- Ensure the vanity is placed on a flat, level surface.

## SPECIFICATIONS

<b>Feature</b>	<b>Detail</b>
Brand	Dowinx
Model Number	LS-QL-66BS-03
Product Dimensions	24.3"D x 38.6"W x 7.5"H
Item Weight	38.7 pounds
Frame Material	Engineered Wood
Color	Pink
Mirror Lighting	LED with 3 Color Modes (Warm Yellow, Warm White, Cold White) & Adjustable Brightness
Power Outlet	2 AC Outlets (125V/12A), 2 USB Ports (5V/2.1A)
Storage	2 Drawers, 6 Open Shelves, 1 Cabinet with Adjustable Shelf, 1 Storage Stool
Assembly Required	Yes

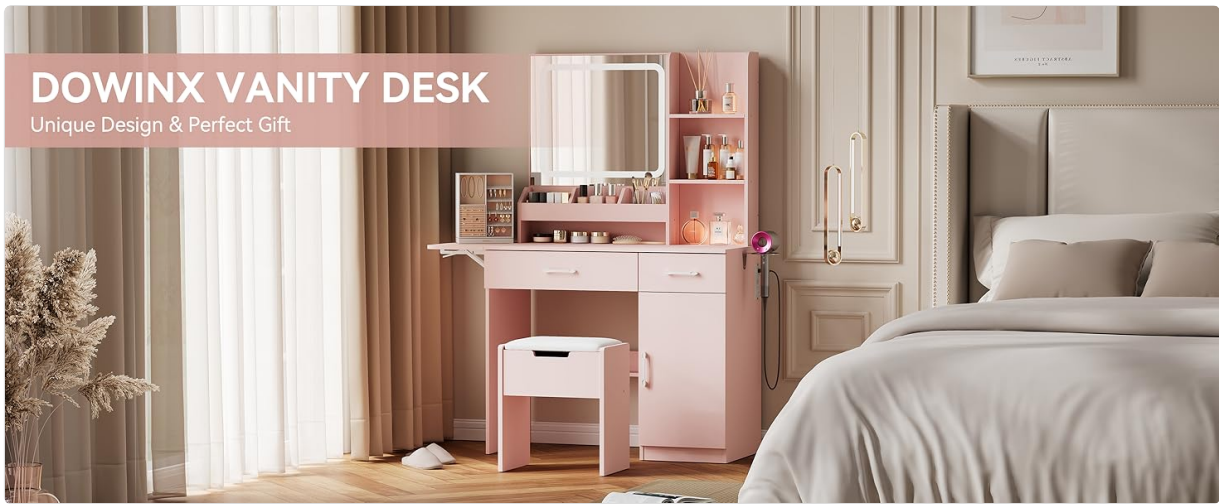


Image: The Dowinx Vanity Desk in pink, showcasing its overall design and features including the lighted mirror, multiple storage compartments, and the accompanying stool.

## **WARRANTY AND SUPPORT**

For any issues or inquiries regarding your Dowinx Vanity Desk, please contact Dowinx customer support. Refer to the contact information provided in your product packaging or visit the official Dowinx website for assistance.

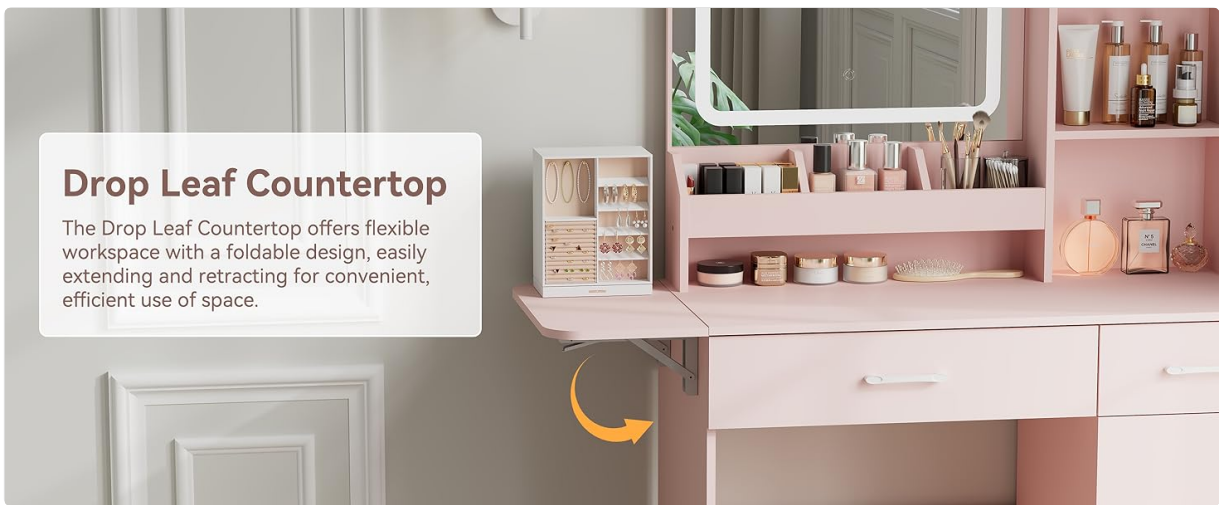
## **PRODUCT OVERVIEW**



# DOWINX VANITY DESK

Unique Design & Perfect Gift

Image: An infographic highlighting the key features of the Dowinx Vanity Desk, including the sliding lighted HD mirror, trapezoidal makeup trays, extra storage area, drop-leaf countertop, storage stool, sliding drawers, open shelves, charging station, and hairdryer holder.



## Drop Leaf Countertop

The Drop Leaf Countertop offers flexible workspace with a foldable design, easily extending and retracting for convenient, efficient use of space.

Image: A visual guide demonstrating the three lighting modes (Cool White, Warm White, Warm Yellow) and the adjustable brightness feature of the vanity mirror.



## Dowinx

Hair Dryer Holder  
Power outlets don't take up space

125V/12A  
2 AC Outlets

5V/2.1A  
2 USB Ports

5.1 Feet  
Power Cord



VS

## Others

Without Hair Dryer Holder  
Power outlets will take up space



Image: An illustration showcasing the seven open shelves on the vanity desk, ideal for organizing skincare, cosmetics, and other items.



Image: A close-up of the vanity's cabinet, showing an adjustable shelf with three possible height settings for flexible storage.



Image: A comparison graphic highlighting the space-saving design of the Dowinx hairdryer holder and integrated power outlets compared to other vanity designs.