

vidaXL 3325155

vidaXL Anthracite Steel Aviary with Extension - User Manual

Model: 3325155

1. PRODUCT OVERVIEW

This vidaXL bird aviary provides a generous and secure space for your feathered friends. It features a modern design combined with stable steel construction, making it a practical and stylish addition to any outdoor setting. Designed for durability, it ensures a long lifespan and offers a safe, stable home for your birds.

The aviary includes specially designed latches to prevent escapes, allowing your birds to explore without worry. With overall dimensions of 210 x 838 x 247 cm, it offers ample room for birds to stretch, play, and thrive, promoting their health and social behavior. The matte anthracite surface provides a clean and elegant look that complements various outdoor decors.

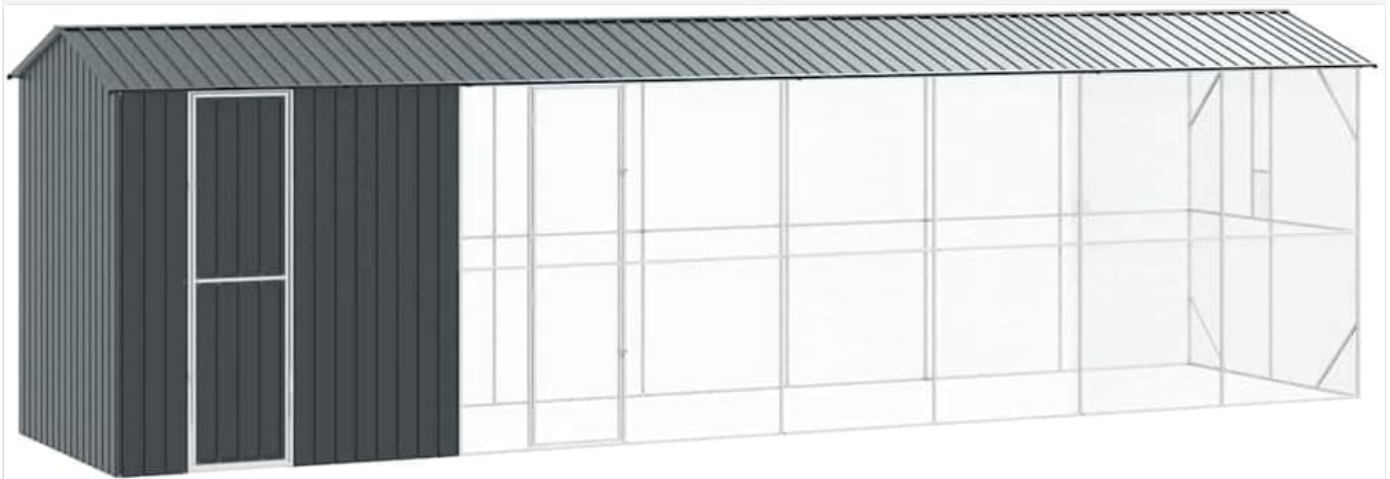


Figure 1: Overview of the vidaXL Anthracite Steel Aviary with Extension.

2. SAFETY INFORMATION

Please read all safety instructions before assembly and use. Failure to follow these instructions may result in injury or damage to the product.

- Ensure all components are securely fastened during assembly.
- This aviary is designed for outdoor use only.

- Regularly inspect the aviary for any signs of wear, damage, or loose parts to ensure the safety of your birds.
- Keep children and pets away from the assembly area to prevent accidents.
- Consider local weather conditions; secure the aviary against strong winds or heavy snow if necessary.

3. PACKAGE CONTENTS

Verify that all parts are present before beginning assembly. If any parts are missing or damaged, please contact customer support.

- Bird cage panels and frame components
- Support structure components
- Assembly hardware (screws, bolts, nuts, etc.)
- Instruction manual

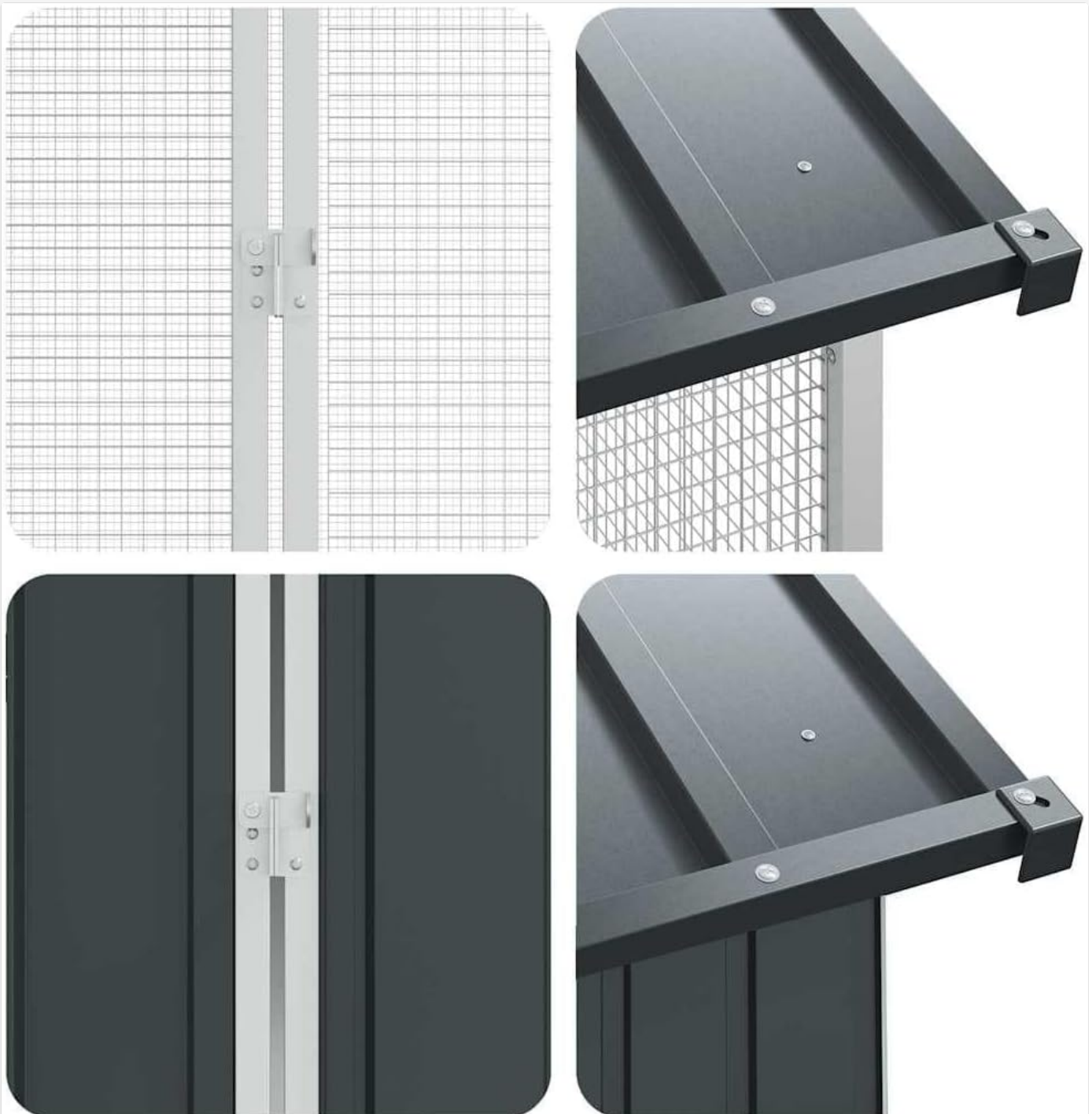


Figure 2: Detailed view of aviary components, including mesh, hinges, and roof structure.

4. SETUP AND ASSEMBLY

Assembly of this aviary is required. It is recommended that two people perform the assembly to ensure safety and efficiency.

1. **Prepare the Site:** Choose a level, stable outdoor location for the aviary. Ensure adequate space around the assembly area.
2. **Unpack Components:** Carefully unpack all parts and lay them out, checking against the package contents list.
3. **Assemble Base Frame:** Begin by assembling the base frame according to the provided diagrams.
4. **Attach Wall Panels:** Securely attach the wall panels to the base frame. Pay attention to the orientation of the solid and mesh panels.
5. **Install Doors:** Mount the doors and ensure they open and close smoothly, and that the latches function correctly.
6. **Construct Roof:** Assemble and attach the roof structure, ensuring it is securely fastened to prevent leaks and provide stability.
7. **Final Inspection:** After assembly, double-check all connections and fasteners to ensure the aviary is stable and secure.

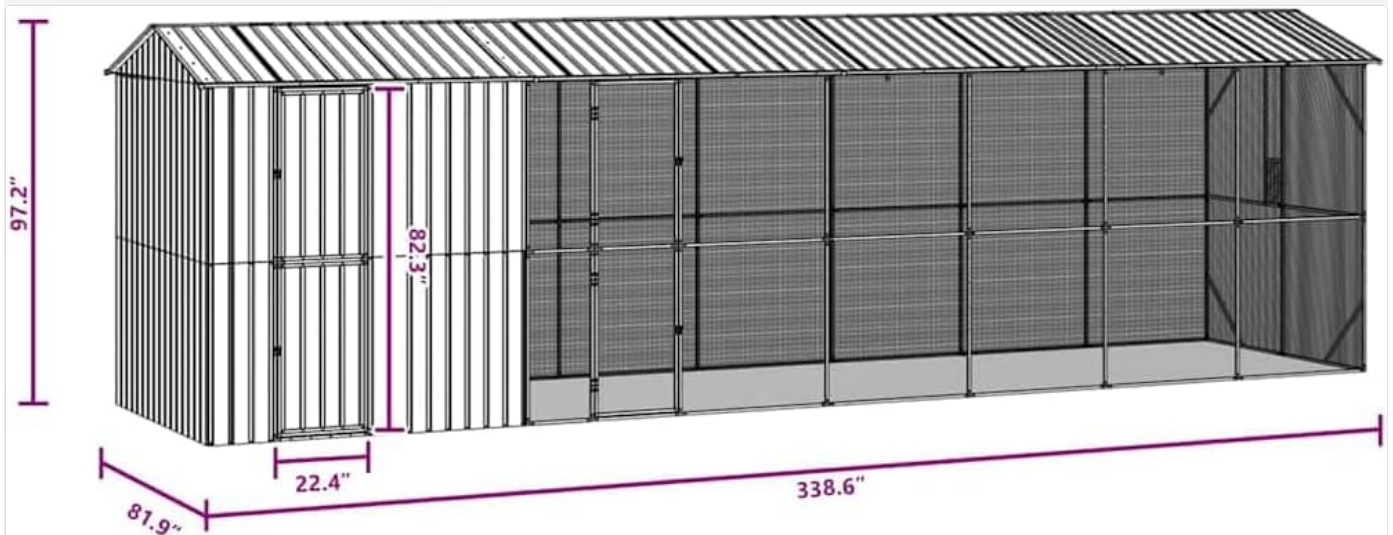


Figure 3: Dimensional diagram of the aviary, useful for planning placement and assembly.

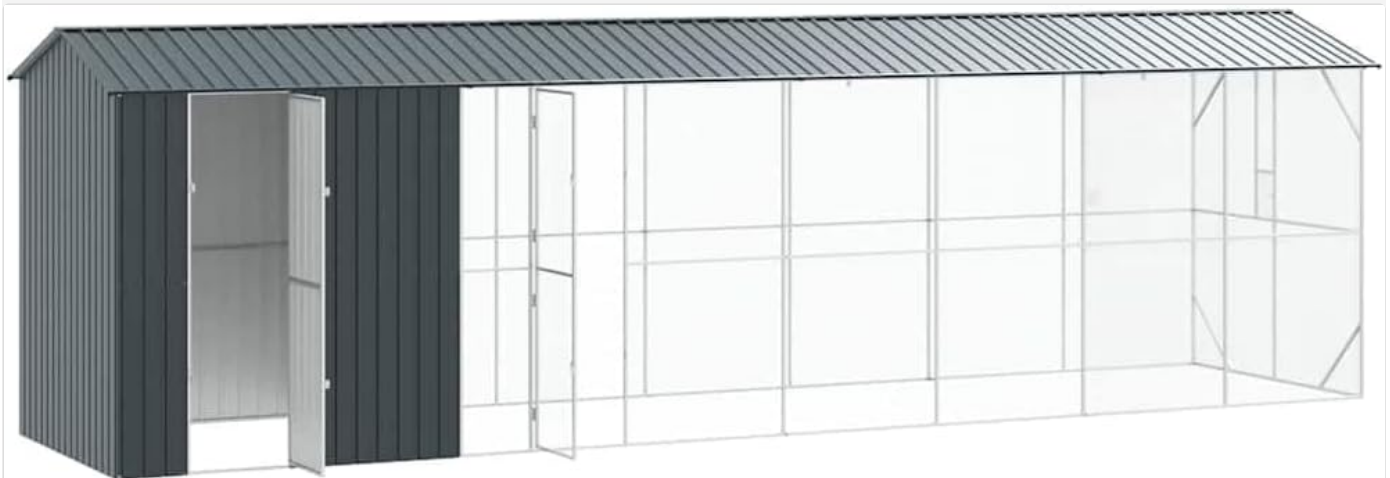


Figure 4: The aviary with its access doors open, illustrating entry points for maintenance and bird care.

5. OPERATING INSTRUCTIONS

Once assembled, the aviary is ready for use. Consider the following for optimal operation:

- **Bird Introduction:** Introduce birds to the aviary gradually, allowing them to acclimate to their new environment.
- **Feeding and Watering:** Place food and water dishes in easily accessible locations within the aviary.
- **Enrichment:** Provide perches, toys, and other enrichment items suitable for your bird species to promote activity and well-being.
- **Security:** Always ensure all doors and latches are securely closed to prevent escapes and protect birds from predators.

6. MAINTENANCE

Regular maintenance will ensure the longevity and hygiene of your aviary.

- **Cleaning:** The aviary is easy to clean. Simply wipe down surfaces with a damp cloth to remove dirt and debris. For deeper cleaning, use a mild, bird-safe disinfectant.
- **Waste Removal:** Regularly remove bird droppings and old food to maintain a sanitary environment.
- **Inspection:** Periodically check the steel frame, mesh, and roof for any signs of rust, damage, or loose connections. Address any issues promptly to maintain structural integrity and bird safety.
- **Weather Protection:** While designed for outdoor use, extreme weather conditions may require additional protection or securing of the aviary.

7. TROUBLESHOOTING

This section addresses common issues you might encounter.

- **Instability:** If the aviary feels unstable, re-check all bolted connections and ensure it is placed on a perfectly level surface.
- **Door Malfunction:** If doors do not close properly, check hinges for alignment or damage. Ensure no debris is obstructing the door path.
- **Rust Spots:** Although made of steel, prolonged exposure to moisture can cause rust. Clean any rust spots with a wire brush and apply a rust-inhibiting paint if necessary.

8. SPECIFICATIONS

Feature	Detail
Brand	vidaXL
Model Number	3325155
Dimensions (W x D x H)	210 x 838 x 247 cm (82.7 x 330 x 97.2 inches)
Product Weight	218.75 kg (482.26 lbs)
Color	Anthracite (Grey)
Material	Steel
Surface	Matte
Intended Use	Outdoor only
Assembly Required	Yes

Recommended Assembly Persons	2
EAN Code	8721158673640

9. WARRANTY AND SUPPORT

vidaXL products are manufactured to high-quality standards. For warranty information, product support, or to report missing/damaged parts, please refer to the contact information provided with your purchase or visit the official vidaXL website.

Website: www.vidaxl.com