

[Manuals.plus](#) /

› [Garvee](#) /

› Garvee 1000 Lbs Pickup Truck Crane User Manual

Garvee cZm1UXY0AaU62cB2guTxnQgxc6r

Garvee 1000 Lbs Pickup Truck Crane User Manual

Model: cZm1UXY0AaU62cB2guTxnQgxc6r

1. INTRODUCTION

This manual provides essential information for the safe and effective operation, assembly, and maintenance of your Garvee 1000 Lbs Pickup Truck Crane. Please read this manual thoroughly before initial use to ensure proper handling and to prevent injury or damage.



Figure 1: Garvee 1000 Lbs Pickup Truck Crane overview.

The Garvee Pickup Truck Crane is designed for heavy-duty lifting tasks in various environments such as factories, warehouses, and construction sites. It features a hydraulic hoist with a manual winch, 360° swivel capability, and four adjustable boom capacities (500, 600, 700, and 1000 lbs).

2. SAFETY INFORMATION

WARNING: Failure to follow these safety instructions may result in serious injury or death.

- Always ensure the crane is securely mounted to a stable surface, such as a truck bed, before operation.
- Do not exceed the rated load capacity for the selected boom extension. Refer to the boom capacity markings.
- Keep hands and feet clear of moving parts, pinch points, and the load during operation.
- Wear appropriate personal protective equipment (PPE), including safety glasses, gloves, and steel-toed boots.
- Inspect the crane for damage, wear, or loose components before each use. Do not operate if damaged.

- Ensure the load is properly secured and balanced before lifting.
- Do not operate the crane on uneven or unstable ground.
- Never leave a suspended load unattended.
- Do not modify the crane in any way. Use only manufacturer-approved replacement parts.
- Keep children and bystanders away from the operating area.

3. COMPONENTS AND PARTS LIST

Before assembly, verify that all components are present and undamaged. Refer to the assembly diagram for identification.

Assembly Diagram

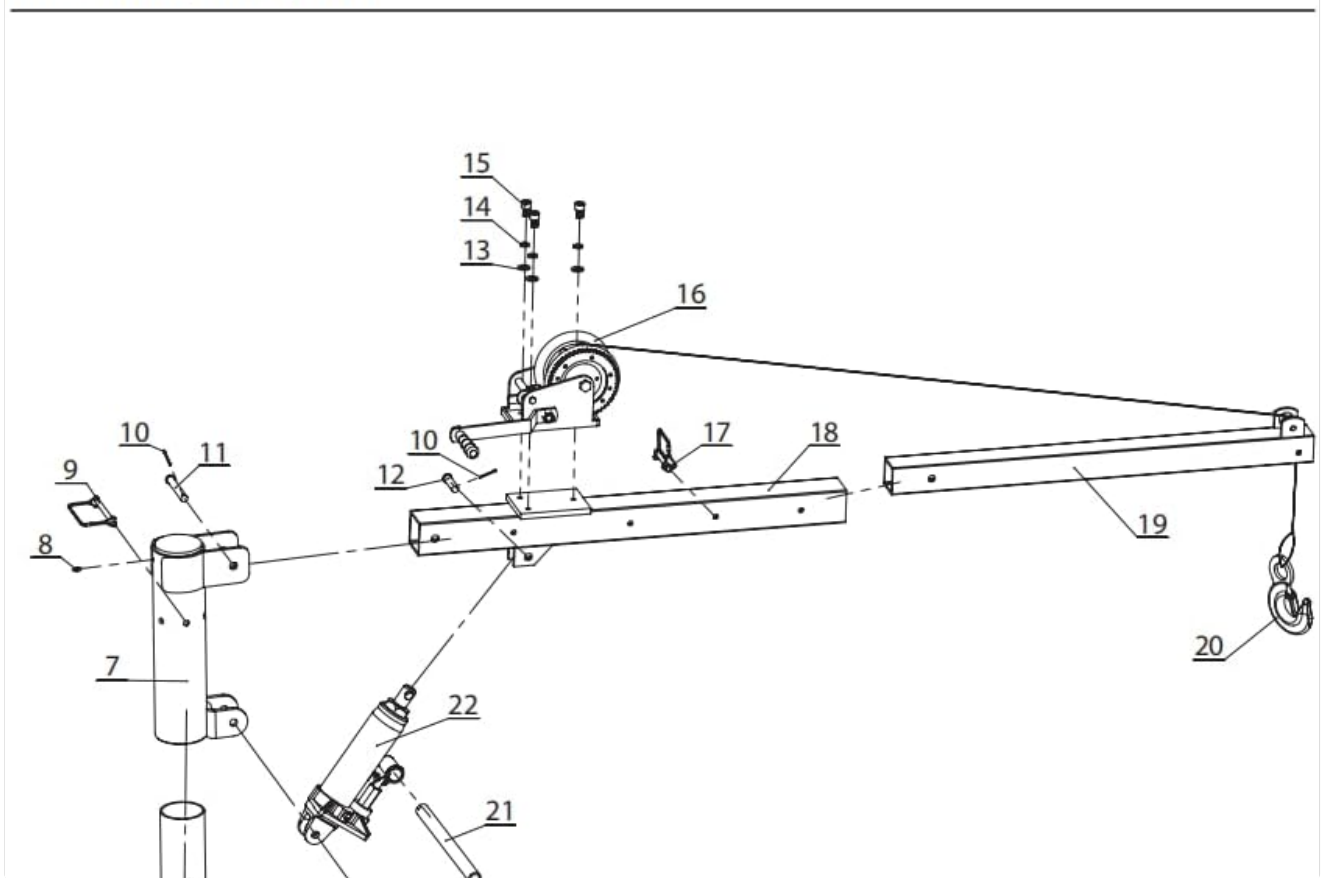


Figure 2: Assembly Diagram with numbered parts.

Item No.	Description	Quantity
7	Main Column/Post	1
8	Swivel Pin	1
9	Retaining Clip	1
10	Bolts (various sizes)	As required
11	Nuts (various sizes)	As required
12	Boom Base Plate	1
13	Washers	As required

Item No.	Description	Quantity
14	Lock Washers	As required
15	Winch Mounting Bolts	As required
16	Manual Winch Assembly	1
17	Winch Cable Stop	1
18	Inner Boom Section	1
19	Outer Boom Section	1
20	Hook Assembly	1
21	Hydraulic Pump Handle	1
22	Hydraulic Cylinder Assembly	1

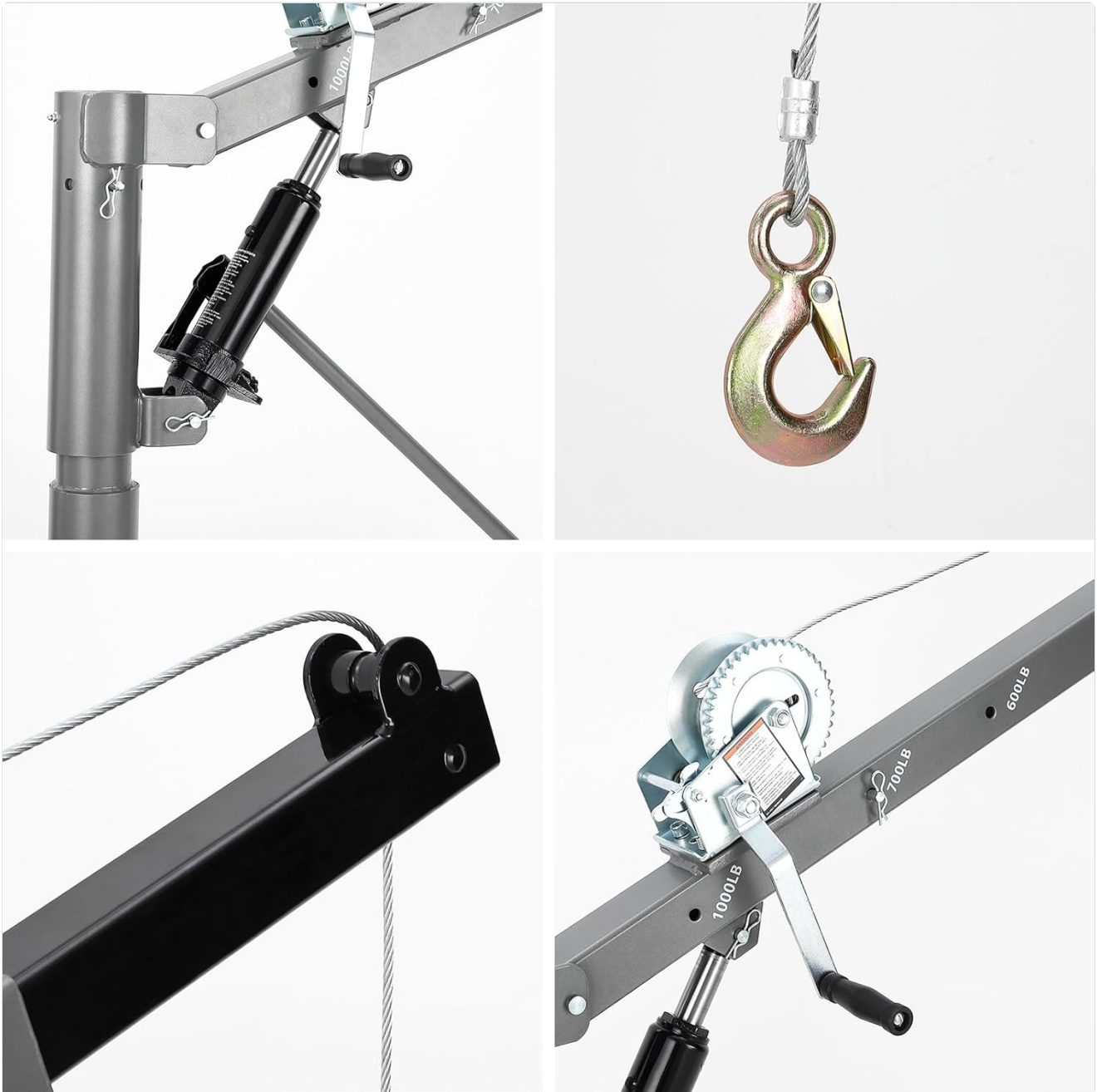


Figure 3: Detailed view of key crane components.

4. SETUP AND ASSEMBLY

Follow these steps to assemble your Garvee Pickup Truck Crane. It is recommended to have assistance during assembly due to the weight of components.

1. **Mounting the Base:** Securely mount the main column/post (7) to a sturdy surface, such as a truck bed, using appropriate heavy-duty fasteners (not included). Ensure the mounting surface can support the crane's weight and maximum load capacity. The base plate of the main column should be bolted down firmly.
2. **Attaching the Boom Base:** Insert the swivel pin (8) into the top of the main column (7). Place the boom base plate (12) onto the swivel pin, ensuring it rotates freely. Secure with the retaining clip (9).
3. **Assembling the Boom:** Slide the outer boom section (19) into the inner boom section (18). Adjust to the desired length (500, 600, 700, or 1000 lbs capacity settings) and secure with the provided pins/bolts.
4. **Mounting the Winch:** Attach the manual winch assembly (16) to the designated mounting points on the inner boom section (18) using winch mounting bolts (15), washers (13), and lock washers (14). Ensure the winch is firmly secured.
5. **Connecting the Hydraulic Cylinder:** Attach the hydraulic cylinder assembly (22) between the main column (7) and the inner boom section (18) at the designated pivot points. Insert the hydraulic pump handle (21) into the pump mechanism.
6. **Installing the Cable and Hook:** Thread the winch cable through the pulley at the end of the outer boom section (19) and attach the hook assembly (20). Ensure the cable is properly seated on the winch drum and the cable stop (17) is in place.



Figure 4: Example of crane securely mounted on a truck bed.

5. OPERATING INSTRUCTIONS

Familiarize yourself with the crane's controls and functions before attempting to lift any load.

5.1. Adjusting Boom Capacity and Length

The boom has four adjustable capacities: 500, 600, 700, and 1000 lbs. These correspond to different boom lengths. To adjust, remove the locking pin, extend or retract the outer boom section (19) to align with the desired capacity marking, and reinsert the locking pin securely. Always ensure the pin is fully engaged before lifting.

5.2. Hydraulic Lifting and Lowering

- **To Lift:** Insert the hydraulic pump handle (21) into the hydraulic cylinder assembly (22) and pump the handle repeatedly. The boom will slowly raise.
- **To Lower:** Slowly turn the release valve on the hydraulic cylinder counter-clockwise. The boom will descend gradually. Control the descent speed by adjusting how much the valve is opened. Close the valve fully after lowering.

5.3. Winch Operation

- **To Raise/Retract Cable:** Rotate the winch handle clockwise to wind the cable onto the drum, lifting the load.
- **To Lower/Extend Cable:** Engage the winch release mechanism (if applicable, refer to winch specific instructions) and slowly rotate the winch handle counter-clockwise to unwind the cable, lowering the load. Always maintain control of the handle.
- Ensure the cable is spooled evenly on the drum to prevent damage.

5.4. 360° Swivel Function

The crane's boom can swivel 360 degrees on its base. To rotate the load, gently push or pull the boom in the desired direction. Ensure the area is clear of obstructions before swiveling.

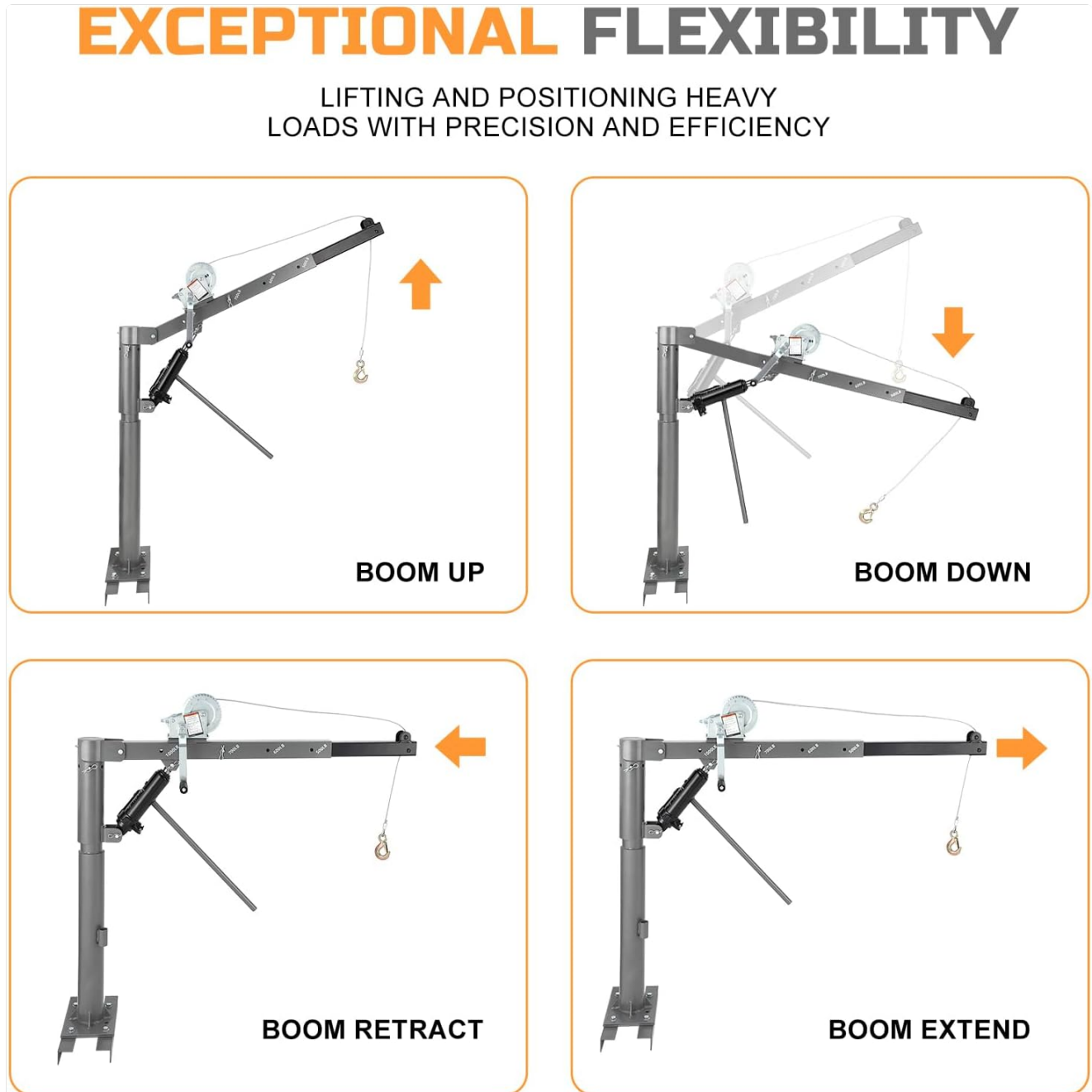


Figure 5: Illustrates the flexibility of boom movement.

6. MAINTENANCE

Regular maintenance ensures the longevity and safe operation of your Garvee Pickup Truck Crane.

- **Lubrication:** Periodically lubricate all pivot points, the winch mechanism, and the hydraulic cylinder rod with appropriate grease or oil.
- **Cable Inspection:** Regularly inspect the winch cable for fraying, kinks, corrosion, or other damage. Replace the cable immediately if any damage is found.
- **Hydraulic Fluid:** Check the hydraulic fluid level periodically. If low, refill with high-quality hydraulic jack oil. Consult a qualified technician if the hydraulic system shows signs of leakage or malfunction.
- **Fastener Check:** Routinely check all bolts, nuts, and pins for tightness. Tighten any loose fasteners.
- **Cleaning:** Keep the crane clean and free of dirt, debris, and corrosive materials. The powder-coated finish helps protect against rust, but regular cleaning is recommended.
- **Storage:** When not in use, store the crane in a dry, protected area to prevent corrosion and damage.

7. TROUBLESHOOTING

Problem	Possible Cause	Solution
Crane does not lift or lifts slowly.	Low hydraulic fluid level; Air in hydraulic system; Overload; Release valve open.	Check and refill hydraulic fluid; Bleed air from system (consult manual or technician); Reduce load; Ensure release valve is fully closed.
Boom descends on its own.	Release valve not fully closed; Internal hydraulic leak; Worn seals.	Ensure release valve is tightly closed; Consult a qualified technician for internal leaks or seal replacement.
Winch cable jams or spools unevenly.	Damaged cable; Improper winding; Obstruction.	Inspect and replace damaged cable; Rewind cable evenly under light tension; Clear any obstructions.
Excessive play or wobble in boom.	Loose fasteners; Worn pivot points.	Check and tighten all bolts and pins; Inspect pivot points for wear and replace if necessary.

If you encounter problems not listed here or if solutions do not resolve the issue, contact Garvee customer support.

8. SPECIFICATIONS

Feature	Detail
Brand	Garvee
Model Number	cZm1UXY0AaU62cB2guTxnQg6r
Item Weight	89.8 pounds
Product Dimensions	42.13 x 11.81 x 8.07 inches
Country of Origin	China
Boom Capacities	500 lbs, 600 lbs, 700 lbs, 1000 lbs
Boom Length Range	33-1/2" to 53-1/2"
Swivel	360°

Feature	Detail
Construction Material	High-strength steel with powder-coated finish
Lifting Mechanism	Hydraulic Hoist with Manual Winch

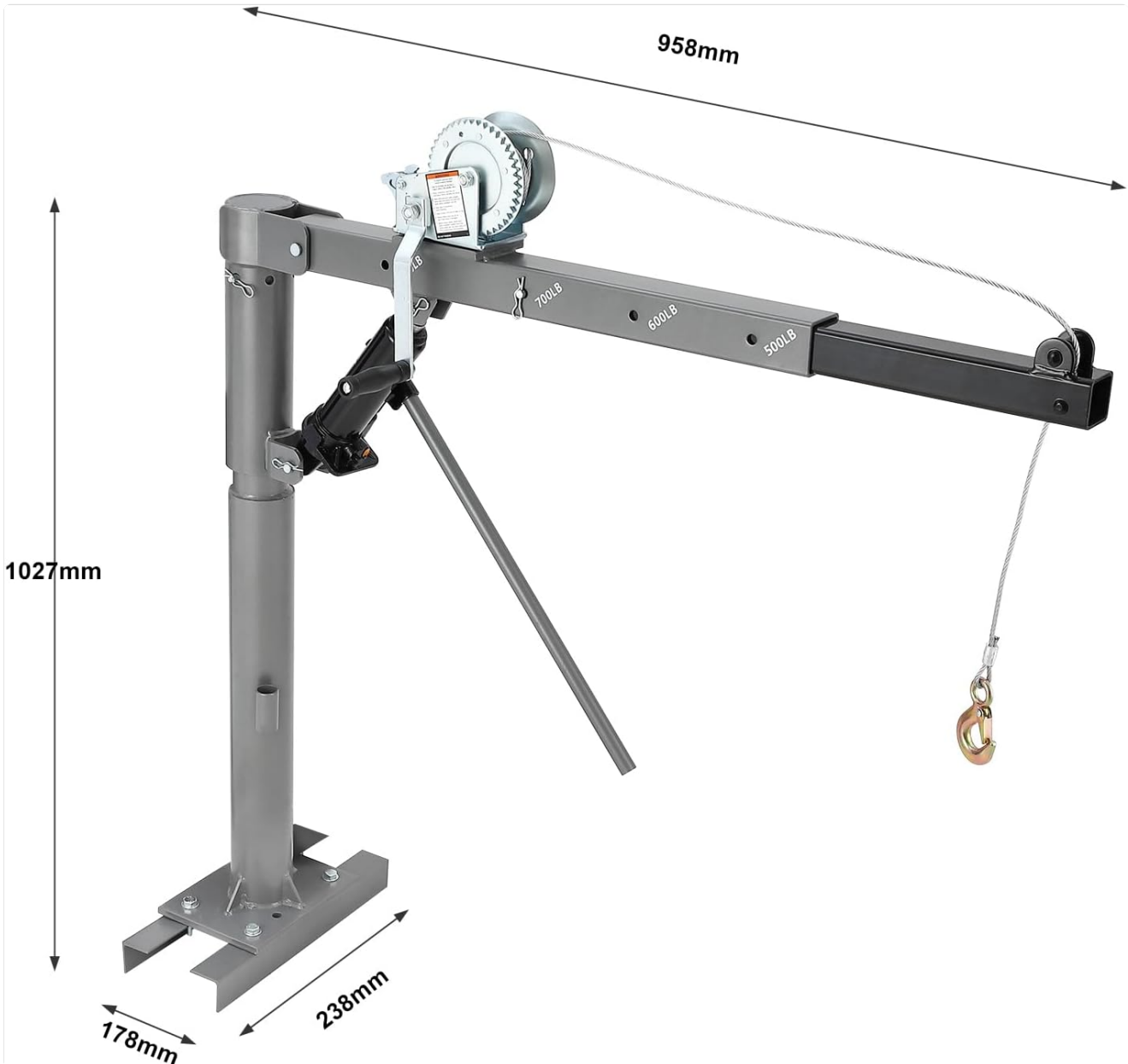


Figure 6: Product dimensions.

9. WARRANTY AND SUPPORT

For warranty information, product support, or to purchase replacement parts, please contact Garvee customer service. Refer to your purchase documentation for specific warranty terms and conditions.

Garvee Direct Customer Support:

For assistance, please visit the [Garvee Store on Amazon](#).

You may also refer to the "Customer Support" information provided at the time of purchase.

Please have your model number (cZm1UXY0AaU62cB2guTxnQgxx6r) and ASIN (B0F99WSDSJ) ready when contacting support.

