

UGREEN X773

UGREEN Nexode Pro 100W 5-Port GaN Fast Charger

Model: X773

Instruction Manual

1. INTRODUCTION

Thank you for choosing the UGREEN Nexode Pro 100W 5-Port GaN Fast Charger. This advanced charging solution is designed to power your devices efficiently and safely, featuring GaN II technology, a smart display, and dynamic power distribution. Please read this manual carefully before use to ensure optimal performance and safety.

2. KEY FEATURES

- **100W Fast Charging:** Delivers up to 100W from a single USB-C port (C1, C2, or C3) for rapid charging of compatible laptops and devices.
- **5-in-1 Simultaneous Power:** Equipped with 4 USB-C ports and 1 USB-A port to charge up to five devices concurrently.
- **Live Power Monitoring with Adjustable Screen:** Real-time display of charging status, temperature, and port output data. The screen can be pivoted 90 degrees or smoothly adjusted by holding the button for flexible viewing. Auto-sleep mode activates after two minutes of inactivity to save energy.
- **Intelligent Dynamic Power Distribution:** Automatically detects connected devices and allocates the most suitable power across all ports.
- **GaN Technology & Compact Design:** Utilizes advanced GaN II technology for a compact form factor and enhanced efficiency.
- **Wide Compatibility:** Supports multiple fast-charging protocols including PD 3.0, PPS, QC 4.0, FCP, AFC, AVS, and SCP.

3. PACKAGE CONTENTS

- UGREEN Nexode Pro 100W 5-Port GaN Fast Charger (Model X773)
- Power Cable
- User Manual

4. PRODUCT OVERVIEW

The UGREEN Nexode Pro 100W charger features multiple ports and a smart display for convenient and efficient charging.

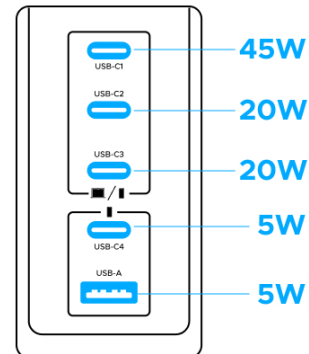


Image: UGREEN Nexode Pro 100W 5-Port GaN Fast Charger, showcasing its compact design and smart display.

Port Layout

- **USB-C1, USB-C2, USB-C3:** High-power USB-C ports, capable of delivering up to 100W individually.
- **USB-C4:** Standard USB-C port.
- **USB-A:** Standard USB-A port.

UGREEN Nexode Pro 100W 4C1A Charger Charging Guide



Note: For more details regarding the power guide, please refer to the user manual.

Image: Diagram illustrating the port configuration and individual power capabilities of the UGREEN Nexode Pro 100W charger.

5. SETUP

1. Unpack the UGREEN Nexode Pro 100W charger and its power cable.
2. Connect the power cable to the charger.
3. Plug the charger into a standard wall outlet.
4. The smart display will illuminate, indicating the charger is ready for use.

6. OPERATING INSTRUCTIONS

6.1 Charging Your Devices

1. Connect your device's charging cable to the appropriate port on the UGREEN Nexode Pro 100W charger. For optimal fast charging, use USB-C1, C2, or C3 for high-power devices like laptops.
2. Connect the other end of the cable to your device.
3. The smart display will show real-time charging information, including total power output, power per port, charging protocol, and temperature.

5-IN-1 Simultaneous Fast Charging

Power distribution for each port is displayed in real-time, enabling efficient multi-device charging.



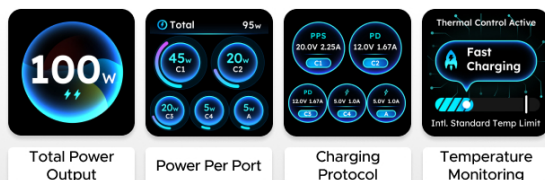
Image: The UGREEN Nexode Pro 100W charger connected and simultaneously charging a laptop, smartphone, and smartwatch.

6.2 Smart Display Functions

- **Real-time Monitoring:** The display provides instant feedback on charging parameters.
- **Adjustable Screen:** Press the button once to pivot the screen 90 degrees. Hold the button to smoothly adjust the screen angle for better viewing.
- **Auto-Sleep:** The screen will automatically turn off after two minutes of inactivity to conserve energy.

Real-time Display Functions

Always Monitored, Always Under Control



Note: The charger features an energy-saving function. The screen will automatically turn off after 2 minutes of inactivity.



Image: Close-up of the UGREEN Nexode Pro 100W charger's smart display, illustrating its ability to show total power output, power per port, charging protocol, and temperature monitoring.

6.3 Dynamic Power Distribution

The charger's intelligent chip automatically detects the power requirements of each connected device and distributes power accordingly. This ensures that all devices receive an optimized charge without manual intervention.

Visible Intelligent Power Distribution System

Optimize Your Fast Charging Experience



Image: A family using the UGREEN Nexode Pro 100W charger to power multiple devices simultaneously, demonstrating its intelligent power distribution.

7. SAFETY INFORMATION

The UGREEN Nexode Pro 100W charger is built with advanced GaN technology and intelligent chips to provide comprehensive safety protections:

- **Overcurrent Protection:** Prevents damage from excessive current.
- **Overvoltage Protection:** Safeguards against voltage surges.
- **Short-circuit Protection:** Automatically cuts power in case of a short circuit.
- **Overheating Protection:** Monitors and regulates internal temperature to prevent overheating.

Safe Charging with Multi-Protection

Real-time Temperature Monitoring



Image: An exploded view of the UGREEN Nexode Pro 100W charger, illustrating its internal GaN chip and various safety protection icons.

Always use the charger in a well-ventilated area and avoid exposing it to extreme temperatures or moisture. Do not attempt to disassemble or modify the charger.

8. MAINTENANCE

- Keep the charger clean and free from dust. Use a dry, soft cloth for cleaning.

- Store the charger in a cool, dry place when not in use.
- Avoid dropping or subjecting the charger to strong impacts.

9. TROUBLESHOOTING

9.1 Device Not Charging

- Ensure the charger is securely plugged into a working wall outlet.
- Verify that the charging cable is properly connected to both the charger and your device.
- Try using a different charging cable or port to rule out cable or port issues.
- Check if your device is compatible with the charger's output specifications.

9.2 Slow Charging

- Ensure you are using a high-quality USB-C cable that supports 100W Power Delivery.
- Confirm that your device supports fast charging protocols (PD 3.0, QC 4.0, etc.).
- When multiple devices are connected, the power is dynamically distributed. Disconnecting other devices may increase charging speed for a single device.
- Check the smart display for current output to confirm expected wattage.

10. SPECIFICATIONS

Attribute	Value
Brand	UGREEN
Model Number	X773
Manufacturer	Ugreen Group Limited
Country of Origin	China
Input	100-240V~50/60Hz (Specific input current not provided, typical for chargers)
Total Output Power	100W Max
Ports	4 x USB-C, 1 x USB-A
Fast Charging Protocols	PD 3.0, PPS, QC 4.0, FCP, AFC, AVS, SCP

11. OFFICIAL PRODUCT VIDEOS

UGREEN Nexode 100W USB C Charger Overview

Your browser does not support the video tag.

Video: An official overview of the UGREEN Nexode 100W USB C Charger, highlighting its features and capabilities.

UGREEN 100W USB C Cable Overview

Your browser does not support the video tag.

Video: A detailed look at the UGREEN 100W USB C Cable, demonstrating its features and durability, an ideal companion for the Nexode Pro charger.

12. WARRANTY AND SUPPORT

UGREEN products come with a standard manufacturer's warranty. For specific warranty details, technical support, or customer service inquiries, please visit the official UGREEN website or contact your local distributor. Keep your purchase receipt for warranty claims.

You can find more information and support at the [UGREEN Store on Amazon](#).
